



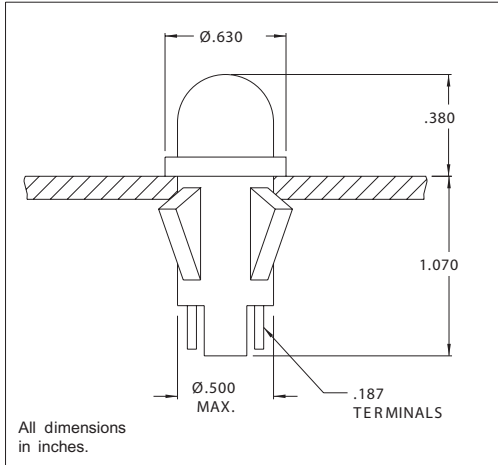
# Chicago Miniature Lighting, LLC

*Lighting the world since 1910*

1091QM Series Non-Relampable LED Indicator Lights

## 1091QM Series Non-Relampable LED Indicator Lights

### DESCRIPTION AND FEATURES



Solid-state indicator lights complete with built-in current-limiting resistor and rectifier diode.

Mounting: Will snap-fit into Ø.500/.505 hole in panels .020/.100 thick. Push-on speednut SN0461 also available.  
Mounting hole pattern on page SP2.

Terminals: Quick-connect, tinned brass.  
Lens: Polycarbonate

Anode(+): Marked above terminal

Bezel: Polished stainless steel.  
For black finish add "X" after the series letter(s).

Housing: White Nylon

| Lens Color               | Solid State     |                 |
|--------------------------|-----------------|-----------------|
|                          | Model No. (12V) | Model No. (24V) |
| Red                      | 1091QM1-12V     | 1091QM1-24V     |
| Green                    | 1091QM5-12V     | 1091QM5-24V     |
| Yellow                   | 1091QM7-12V     | 1091QM7-24V     |
| Internal Resistor (ohms) | 390             | 1000            |

| Lens Color | Incorporates LED* |
|------------|-------------------|
| Red        | 4304H1            |
| Green      | 4304H5            |
| Yellow     | 4304H7            |

\* Also incorporates 1N4004 (400 P.I.V.) rectifier diode.

| Voltage Table |          |           |
|---------------|----------|-----------|
| Nominal       | VAC      | VDC       |
| 12V           | 10 to 20 | 6 to 13.5 |
| 24V           | 22 to 32 | 12 to 24  |

To use 24V model: Beyond 32VAC add 30 ohms per volt; beyond 24 VDC add 50 ohms per volt. Use 1/2W resistor up to 50V; 1W resistor for 50V to 70V; 2W resistor for 75V to 125V. Do not use beyond 125V.

147 Central Avenue  
Hackensack, NJ 07601  
Phone: (201) 489-8989  
Fax: (201) 489-6911

18703 Dix Toledo Road  
Brownstown, MI 48193

Saret Zone Franca, Edificio B  
Alajuela Costa Rica

E-mail: sales@chml.com • Web Site: www.chml.com

Chicago Miniature Lighting, LLC reserves the right to make specification revisions that enhance the design and/or performance of the product