



K51 Sub-Family Data Sheet

Supports the following:

MK51N256CLQ100,
MK51N256CMD100,
MK51N512CLQ100,
MK51N512CMD100

Features

- Operating Characteristics
 - Voltage range: 1.71 to 3.6 V
 - Flash write voltage range: 1.71 to 3.6 V
 - Temperature range (ambient): -40 to 85°C
- Performance
 - Up to 100 MHz ARM Cortex-M4 core with DSP instructions delivering 1.25 Dhrystone MIPS per MHz
- Memories and memory interfaces
 - Up to 512 KB program flash memory on non-FlexMemory devices
 - Up to 128 KB RAM
 - Serial programming interface (EzPort)
 - FlexBus external bus interface
- Clocks
 - 3 to 32 MHz crystal oscillator
 - 32 kHz crystal oscillator
 - Multi-purpose clock generator
- System peripherals
 - 10 low-power modes to provide power optimization based on application requirements
 - Memory protection unit with multi-master protection
 - 16-channel DMA controller, supporting up to 64 request sources
 - External watchdog monitor
 - Software watchdog
 - Low-leakage wakeup unit
- Security and integrity modules
 - Hardware CRC module to support fast cyclic redundancy checks
 - 128-bit unique identification (ID) number per chip
- Human-machine interface
 - Segment LCD controller supporting up to 40 frontplanes and 8 backplanes, or 44 frontplanes and 4 backplanes
 - Low-power hardware touch sensor interface (TSI)
 - General-purpose input/output
- Analog modules
 - Two 16-bit SAR ADCs
 - Programmable gain amplifier (up to x64) integrated into each ADC
 - Two 12-bit DACs
 - Two operational amplifiers
 - Two transimpedance amplifiers
 - Three analog comparators (CMP) containing a 6-bit DAC and programmable reference input
 - Voltage reference
- Timers
 - Programmable delay block
 - Eight-channel motor control/general purpose/PWM timer
 - Two 2-channel quadrature decoder/general purpose timers
 - Periodic interrupt timers
 - 16-bit low-power timer
 - Carrier modulator transmitter
 - Real-time clock
- Communication interfaces
 - USB full-/low-speed On-the-Go controller with on-chip transceiver
 - Three SPI modules
 - Two I2C modules
 - Six UART modules
 - Secure Digital host controller (SDHC)
 - I2S module

K51P144M100SF2



This document contains information on a product under development. Freescale reserves the right to change or discontinue this product without notice.

Table of Contents

1	Ordering parts.....	4	6.1	Core modules.....	21
1.1	Determining valid orderable parts.....	4	6.1.1	Debug trace timing specifications.....	21
2	Part identification.....	4	6.1.2	JTAG electricals.....	21
2.1	Description.....	4	6.2	System modules.....	25
2.2	Format.....	4	6.3	Clock modules.....	25
2.3	Fields.....	4	6.3.1	MCG specifications.....	25
2.4	Example.....	5	6.3.2	Oscillator electrical specifications.....	27
3	Terminology and guidelines.....	5	6.3.3	32kHz Oscillator Electrical Characteristics.....	29
3.1	Definition: Operating requirement.....	5	6.4	Memories and memory interfaces.....	30
3.2	Definition: Operating behavior.....	6	6.4.1	Flash (FTFL) electrical specifications.....	30
3.3	Definition: Attribute.....	6	6.4.2	EzPort Switching Specifications.....	32
3.4	Definition: Rating.....	7	6.4.3	Flexbus Switching Specifications.....	33
3.5	Result of exceeding a rating.....	7	6.5	Security and integrity modules.....	35
3.6	Relationship between ratings and operating requirements.....	7	6.6	Analog.....	35
3.7	Guidelines for ratings and operating requirements.....	8	6.6.1	ADC electrical specifications.....	35
3.8	Definition: Typical value.....	8	6.6.2	CMP and 6-bit DAC electrical specifications.....	43
3.9	Typical value conditions.....	9	6.6.3	12-bit DAC electrical characteristics.....	46
4	Ratings.....	9	6.6.4	Op-amp electrical specifications.....	49
4.1	Thermal handling ratings.....	10	6.6.5	Transimpedance amplifier electrical specifications — full range.....	50
4.2	Moisture handling ratings.....	10	6.6.6	Transimpedance amplifier electrical specifications — limited range.....	51
4.3	ESD handling ratings.....	10	6.6.7	Voltage reference electrical specifications.....	52
4.4	Voltage and current operating ratings.....	10	6.7	Timers.....	53
5	General.....	11	6.8	Communication interfaces.....	54
5.1	Nonswitching electrical specifications.....	11	6.8.1	USB electrical specifications.....	54
5.1.1	Voltage and current operating requirements.....	11	6.8.2	USB DCD electrical specifications.....	54
5.1.2	LVD and POR operating requirements.....	12	6.8.3	USB VREG electrical specifications.....	54
5.1.3	Voltage and current operating behaviors.....	13	6.8.4	DSPI switching specifications (low-speed mode).....	55
5.1.4	Power mode transition operating behaviors.....	13	6.8.5	DSPI switching specifications (high-speed mode).....	56
5.1.5	Power consumption operating behaviors.....	14	6.8.6	I2C switching specifications.....	58
5.1.6	EMC radiated emissions operating behaviors.....	17	6.8.7	UART switching specifications.....	58
5.1.7	Designing with radiated emissions in mind.....	18	6.8.8	SDHC specifications.....	58
5.1.8	Capacitance attributes.....	18	6.8.9	I2S switching specifications.....	59
5.2	Switching specifications.....	18	6.9	Human-machine interfaces (HMI).....	61
5.2.1	Device clock specifications.....	18	6.9.1	TSI electrical specifications.....	61
5.2.2	General switching specifications.....	19	6.9.2	LCD electrical characteristics.....	62
5.3	Thermal specifications.....	20	7	Dimensions.....	63
5.3.1	Thermal operating requirements.....	20	7.1	Obtaining package dimensions.....	63
5.3.2	Thermal attributes.....	20	8	Pinout.....	64
6	Peripheral operating requirements and behaviors.....	20			

8.1 K51 Signal Multiplexing and Pin Assignments.....64
8.2 K51 Pinouts.....70

9 Revision History.....72

1 Ordering parts

1.1 Determining valid orderable parts

Valid orderable part numbers are provided on the web. To determine the orderable part numbers for this device, go to <http://www.freescale.com> and perform a part number search for the following device numbers: PK51 and MK51.

2 Part identification

2.1 Description

Part numbers for the chip have fields that identify the specific part. You can use the values of these fields to determine the specific part you have received.

2.2 Format

Part numbers for this device have the following format:

Q K## M FFF T PP CCC N

2.3 Fields

This table lists the possible values for each field in the part number (not all combinations are valid):

Field	Description	Values
Q	Qualification status	<ul style="list-style-type: none"> M = Fully qualified, general market flow P = Prequalification
K##	Kinetis family	<ul style="list-style-type: none"> K51
M	Flash memory type	<ul style="list-style-type: none"> N = Program flash only X = Program flash and FlexMemory

Table continues on the next page...

Field	Description	Values
FFF	Program flash memory size	<ul style="list-style-type: none"> • 32 = 32 KB • 64 = 64 KB • 128 = 128 KB • 256 = 256 KB • 512 = 512 KB • 1M0 = 1 MB
T	Temperature range (°C)	<ul style="list-style-type: none"> • V = -40 to 105 • C = -40 to 85
PP	Package identifier	<ul style="list-style-type: none"> • FM = 32 QFN (5 mm x 5 mm) • FT = 48 QFN (7 mm x 7 mm) • LF = 48 LQFP (7 mm x 7 mm) • EX = 64 QFN (9 mm x 9 mm) • LH = 64 LQFP (10 mm x 10 mm) • LK = 80 LQFP (12 mm x 12 mm) • MB = 81 MAPBGA (8 mm x 8 mm) • LL = 100 LQFP (14 mm x 14 mm) • MC = 121 MAPBGA (8 mm x 8 mm) • LQ = 144 LQFP (20 mm x 20 mm) • MD = 144 MAPBGA (13 mm x 13 mm) • MF = 196 MAPBGA (15 mm x 15 mm) • MJ = 256 MAPBGA (17 mm x 17 mm)
CCC	Maximum CPU frequency (MHz)	<ul style="list-style-type: none"> • 50 = 50 MHz • 72 = 72 MHz • 100 = 100 MHz • 120 = 120 MHz • 150 = 150 MHz
N	Packaging type	<ul style="list-style-type: none"> • R = Tape and reel • (Blank) = Trays

2.4 Example

This is an example part number:

MK51N512VMD100

3 Terminology and guidelines

3.1 Definition: Operating requirement

An *operating requirement* is a specified value or range of values for a technical characteristic that you must guarantee during operation to avoid incorrect operation and possibly decreasing the useful life of the chip.

3.1.1 Example

This is an example of an operating requirement, which you must meet for the accompanying operating behaviors to be guaranteed:

Symbol	Description	Min.	Max.	Unit
V _{DD}	1.0 V core supply voltage	0.9	1.1	V

3.2 Definition: Operating behavior

An *operating behavior* is a specified value or range of values for a technical characteristic that are guaranteed during operation if you meet the operating requirements and any other specified conditions.

3.2.1 Example

This is an example of an operating behavior, which is guaranteed if you meet the accompanying operating requirements:

Symbol	Description	Min.	Max.	Unit
I _{WP}	Digital I/O weak pullup/pulldown current	10	130	μA

3.3 Definition: Attribute

An *attribute* is a specified value or range of values for a technical characteristic that are guaranteed, regardless of whether you meet the operating requirements.

3.3.1 Example

This is an example of an attribute:

Symbol	Description	Min.	Max.	Unit
CIN_D	Input capacitance: digital pins	—	7	pF

3.4 Definition: Rating

A *rating* is a minimum or maximum value of a technical characteristic that, if exceeded, may cause permanent chip failure:

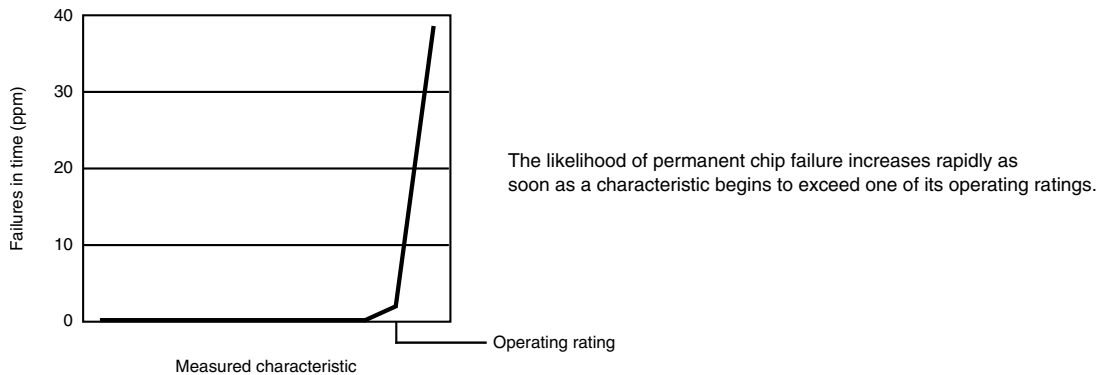
- *Operating ratings* apply during operation of the chip.
- *Handling ratings* apply when the chip is not powered.

3.4.1 Example

This is an example of an operating rating:

Symbol	Description	Min.	Max.	Unit
V _{DD}	1.0 V core supply voltage	-0.3	1.2	V

3.5 Result of exceeding a rating



3.6 Relationship between ratings and operating requirements

Operating or handling rating (min.)		Operating requirement (min.)		Operating requirement (max.)		Operating or handling rating (max.)	
Fatal range - Probable permanent failure	Limited operating range - No permanent failure - Possible decreased life - Possible incorrect operation	Normal operating range - No permanent failure - Correct operation	Limited operating range - No permanent failure - Possible decreased life - Possible incorrect operation	Fatal range - Probable permanent failure			
Handling range - No permanent failure							

3.7 Guidelines for ratings and operating requirements

Follow these guidelines for ratings and operating requirements:

- Never exceed any of the chip’s ratings.
- During normal operation, don’t exceed any of the chip’s operating requirements.
- If you must exceed an operating requirement at times other than during normal operation (for example, during power sequencing), limit the duration as much as possible.

3.8 Definition: Typical value

A *typical value* is a specified value for a technical characteristic that:

- Lies within the range of values specified by the operating behavior
- Given the typical manufacturing process, is representative of that characteristic during operation when you meet the typical-value conditions or other specified conditions

Typical values are provided as design guidelines and are neither tested nor guaranteed.

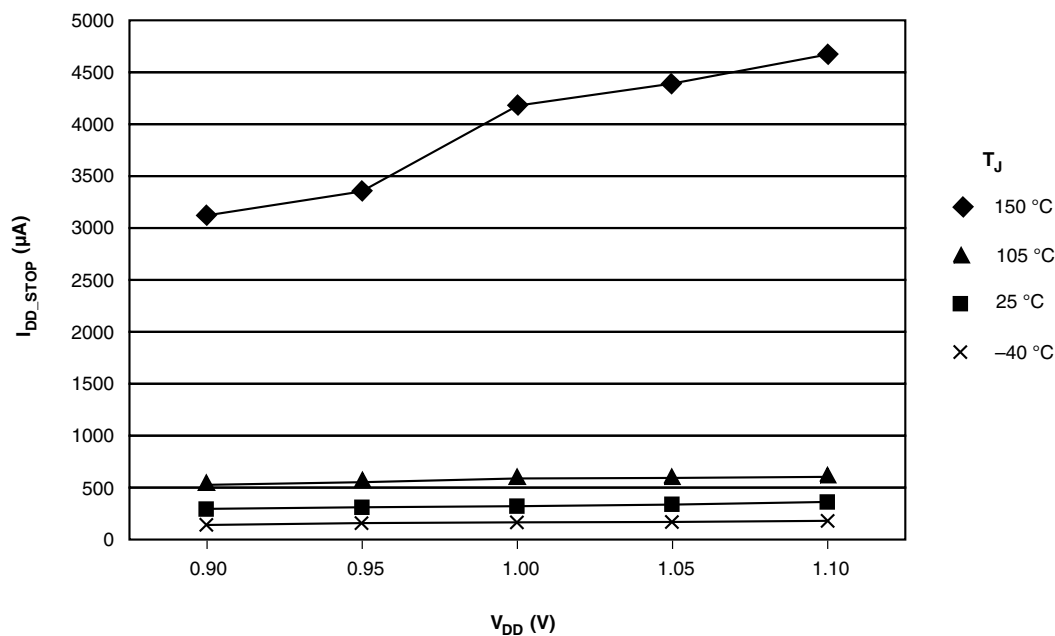
3.8.1 Example 1

This is an example of an operating behavior that includes a typical value:

Symbol	Description	Min.	Typ.	Max.	Unit
I_{WP}	Digital I/O weak pullup/pulldown current	10	70	130	μA

3.8.2 Example 2

This is an example of a chart that shows typical values for various voltage and temperature conditions:



3.9 Typical value conditions

Typical values assume you meet the following conditions (or other conditions as specified):

Symbol	Description	Value	Unit
T_A	Ambient temperature	25	$^{\circ}\text{C}$
V_{DD}	3.3 V supply voltage	3.3	V

4 Ratings

4.1 Thermal handling ratings

Symbol	Description	Min.	Max.	Unit	Notes
T _{STG}	Storage temperature	-55	150	°C	1
T _{SDR}	Solder temperature, lead-free	—	260	°C	2
	Solder temperature, leaded	—	245		

1. Determined according to JEDEC Standard JESD22-A103, *High Temperature Storage Life*.
2. Determined according to IPC/JEDEC Standard J-STD-020, *Moisture/Reflow Sensitivity Classification for Nonhermetic Solid State Surface Mount Devices*.

4.2 Moisture handling ratings

Symbol	Description	Min.	Max.	Unit	Notes
MSL	Moisture sensitivity level	—	3	—	1

1. Determined according to IPC/JEDEC Standard J-STD-020, *Moisture/Reflow Sensitivity Classification for Nonhermetic Solid State Surface Mount Devices*.

4.3 ESD handling ratings

Symbol	Description	Min.	Max.	Unit	Notes
V _{HBM}	Electrostatic discharge voltage, human body model	-2000	+2000	V	1
V _{CDM}	Electrostatic discharge voltage, charged-device model	-500	+500	V	2
I _{LAT}	Latch-up current at ambient temperature of 85°C	-100	+100	mA	

1. Determined according to JEDEC Standard JESD22-A114, *Electrostatic Discharge (ESD) Sensitivity Testing Human Body Model (HBM)*.
2. Determined according to JEDEC Standard JESD22-C101, *Field-Induced Charged-Device Model Test Method for Electrostatic-Discharge-Withstand Thresholds of Microelectronic Components*.

4.4 Voltage and current operating ratings

Symbol	Description	Min.	Max.	Unit
V _{DD}	Digital supply voltage	-0.3	3.8	V
I _{DD}	Digital supply current	—	185	mA
V _{DIO}	Digital input voltage (except RESET, EXTAL, and XTAL)	-0.3	5.5	V

Table continues on the next page...

Symbol	Description	Min.	Max.	Unit
V _{AIO}	Analog, RESET, EXTAL, and XTAL input voltage	-0.3	V _{DD} + 0.3	V
I _D	Instantaneous maximum current single pin limit (applies to all port pins)	-25	25	mA
V _{DDA}	Analog supply voltage	V _{DD} - 0.3	V _{DD} + 0.3	V
V _{USB_DP}	USB_DP input voltage	-0.3	3.63	V
V _{USB_DM}	USB_DM input voltage	-0.3	3.63	V
V _{REGIN}	USB regulator input	-0.3	6.0	V
V _{BAT}	RTC battery supply voltage	-0.3	3.8	V

5 General

5.1 Nonswitching electrical specifications

5.1.1 Voltage and current operating requirements

Table 1. Voltage and current operating requirements

Symbol	Description	Min.	Max.	Unit	Notes
V _{DD}	Supply voltage	1.71	3.6	V	
V _{DDA}	Analog supply voltage	1.71	3.6	V	
V _{DD} - V _{DDA}	V _{DD} -to-V _{DDA} differential voltage	-0.1	0.1	V	
V _{SS} - V _{SSA}	V _{SS} -to-V _{SSA} differential voltage	-0.1	0.1	V	
V _{BAT}	RTC battery supply voltage	1.71	3.6	V	
V _{IH}	Input high voltage <ul style="list-style-type: none"> • 2.7 V ≤ V_{DD} ≤ 3.6 V • 1.7 V ≤ V_{DD} ≤ 2.7 V 	0.7 × V _{DD}	—	V	
		0.75 × V _{DD}	—	V	
V _{IL}	Input low voltage <ul style="list-style-type: none"> • 2.7 V ≤ V_{DD} ≤ 3.6 V • 1.7 V ≤ V_{DD} ≤ 2.7 V 	—	0.35 × V _{DD}	V	
		—	0.3 × V _{DD}	V	
V _{HYS}	Input hysteresis	0.06 × V _{DD}	—	V	

Table continues on the next page...

Table 1. Voltage and current operating requirements (continued)

Symbol	Description	Min.	Max.	Unit	Notes
I_{IC}	DC injection current — single pin • $V_{IN} < V_{SS}$	0	-0.2	mA	1
	DC injection current — total MCU limit, includes sum of all stressed pins • $V_{IN} < V_{SS}$	0	-5	mA	1
V_{RAM}	V_{DD} voltage required to retain RAM	1.2	—	V	
V_{RFVBAT}	V_{BAT} voltage required to retain the VBAT register file	TBD	—	V	

1. All functional non-supply pins are internally clamped to V_{SS} , and induce an injection current when V_{IN} is less than V_{SS} . The I_{IC} maximum operating requirement should not be exceeded. If this requirement cannot be met, the input must be current limited to the value specified.

5.1.2 LVD and POR operating requirements

Table 2. V_{DD} supply LVD and POR operating requirements

Symbol	Description	Min.	Typ.	Max.	Unit	Notes
V_{POR}	Falling VDD POR detect voltage	TBD	1.1	TBD	V	
V_{LVDH}	Falling low-voltage detect threshold — high range (LVDV=01)	TBD	2.56	TBD	V	
V_{LW1H} V_{LW2H} V_{LW3H} V_{LW4H}	Low-voltage warning thresholds — high range					1
	• Level 1 falling (LVWV=00)	TBD	2.70	TBD	V	
	• Level 2 falling (LVWV=01)	TBD	2.80	TBD	V	
	• Level 3 falling (LVWV=10)	TBD	2.90	TBD	V	
	• Level 4 falling (LVWV=11)	TBD	3.00	TBD	V	
V_{HYSH}	Low-voltage inhibit reset/recover hysteresis — high range		60		mV	
V_{LVDL}	Falling low-voltage detect threshold — low range (LVDV=00)	TBD	1.60	TBD	V	
V_{LW1L} V_{LW2L} V_{LW3L} V_{LW4L}	Low-voltage warning thresholds — low range					1
	• Level 1 falling (LVWV=00)	TBD	1.80	TBD	V	
	• Level 2 falling (LVWV=01)	TBD	1.90	TBD	V	
	• Level 3 falling (LVWV=10)	TBD	2.00	TBD	V	
	• Level 4 falling (LVWV=11)	TBD	2.10	TBD	V	
V_{HYSL}	Low-voltage inhibit reset/recover hysteresis — low range		40		mV	
V_{BG}	Bandgap voltage reference	TBD	1.00	TBD	V	
t_{LPO}	Internal low power oscillator period factory trimmed	TBD	1000	TBD	μ s	

1. Rising thresholds are falling threshold + hysteresis voltage

Table 3. VBAT power operating requirements

Symbol	Description	Min.	Typ.	Max.	Unit	Notes
V _{POR_VBAT}	Falling VBAT supply POR detect voltage	TBD	1.1	TBD	V	

5.1.3 Voltage and current operating behaviors

Table 4. Voltage and current operating behaviors

Symbol	Description	Min.	Max.	Unit	Notes		
V _{OH}	Output high voltage — high drive strength						
	• $2.7\text{ V} \leq V_{DD} \leq 3.6\text{ V}$, $I_{OH} = -10\text{mA}$	$V_{DD} - 0.5$	—	V			
	• $1.71\text{ V} \leq V_{DD} \leq 2.7\text{ V}$, $I_{OH} = -3\text{mA}$	$V_{DD} - 0.5$	—	V			
	Output high voltage — low drive strength						
V _{OL}	Output low voltage — high drive strength						
	• $2.7\text{ V} \leq V_{DD} \leq 3.6\text{ V}$, $I_{OL} = 10\text{mA}$	—	0.5	V			
	• $1.71\text{ V} \leq V_{DD} \leq 2.7\text{ V}$, $I_{OL} = 3\text{mA}$	—	0.5	V			
	Output low voltage — low drive strength						
I _{OHT}	Output high current total for all ports	—	100	mA			
	V _{OL}	Output low voltage — high drive strength					
		• $2.7\text{ V} \leq V_{DD} \leq 3.6\text{ V}$, $I_{OL} = 10\text{mA}$	—	0.5	V		
		• $1.71\text{ V} \leq V_{DD} \leq 2.7\text{ V}$, $I_{OL} = 3\text{mA}$	—	0.5	V		
Output low voltage — low drive strength							
I _{OLT}	Output low current total for all ports	—	100	mA			
	I _{IN}	Input leakage current (per pin) except TRI0_DM, TRI0_DP, TRI1_DM, TRI1_DP	—	1	μA	1	
		I _{ILKG_A}	Input leakage current (per pin) for TRI0_DM, TRI0_DP, TRI1_DM, TRI1_DP	—	1	nA	1
			I _{OZ}	Hi-Z (off-state) leakage current (per pin)	—	1	μA
R _{PU}				Internal pullup resistors	30	50	kΩ
	R _{PD}			Internal pulldown resistors	30	50	kΩ

1. Measured at V_{DD}=3.6V
2. Measured at V_{DD} supply voltage = V_{DD} min and V_{input} = V_{SS}
3. Measured at V_{DD} supply voltage = V_{DD} min and V_{input} = V_{DD}

5.1.4 Power mode transition operating behaviors

All specifications except t_{POR} , and $VLLSx \rightarrow RUN$ recovery times in the following table assume this clock configuration:

- CPU and system clocks = 100 MHz
- Bus and FlexBus clocks = 50 MHz
- Flash clock = 25 MHz

Table 5. Power mode transition operating behaviors

Symbol	Description	Min.	Max.	Unit	Notes
t_{POR}	After a POR event, amount of time from the point V_{DD} reaches 1.8V to execution of the first instruction across the operating temperature range of the chip.	—	300	μs	1
	RUN \rightarrow VLLS1 \rightarrow RUN <ul style="list-style-type: none"> • RUN \rightarrow VLLS1 • VLLS1 \rightarrow RUN 	—	4.1	μs	
		—	123.8	μs	
	RUN \rightarrow VLLS2 \rightarrow RUN <ul style="list-style-type: none"> • RUN \rightarrow VLLS2 • VLLS2 \rightarrow RUN 	—	4.1	μs	
		—	49.3	μs	
	RUN \rightarrow VLLS3 \rightarrow RUN <ul style="list-style-type: none"> • RUN \rightarrow VLLS3 • VLLS3 \rightarrow RUN 	—	4.1	μs	
		—	49.2	μs	
	RUN \rightarrow LLS \rightarrow RUN <ul style="list-style-type: none"> • RUN \rightarrow LLS • LLS \rightarrow RUN 	—	4.1	μs	
		—	5.9	μs	
	RUN \rightarrow STOP \rightarrow RUN <ul style="list-style-type: none"> • RUN \rightarrow STOP • STOP \rightarrow RUN 	—	4.1	μs	
		—	4.2	μs	
	RUN \rightarrow VLPS \rightarrow RUN <ul style="list-style-type: none"> • RUN \rightarrow VLPS • VLPS \rightarrow RUN 	—	4.1	μs	
		—	5.8	μs	

1. Normal boot (FTFL_OPT[LPBOOT]=1)

5.1.5 Power consumption operating behaviors

Table 6. Power consumption operating behaviors

Symbol	Description	Min.	Typ.	Max.	Unit	Notes
I _{DDA}	Analog supply current	—	—	TBD	mA	1
I _{DD_RUN}	Run mode current — all peripheral clocks disabled, code executing from flash <ul style="list-style-type: none"> • @ 1.8V • @ 3.0V 	—	40	TBD	mA	2
I _{DD_RUN}	Run mode current — all peripheral clocks enabled, code executing from flash <ul style="list-style-type: none"> • @ 1.8V • @ 3.0V 	—	55	TBD	mA	3
I _{DD_RUN_M} AX	Run mode current — all peripheral clocks enabled and peripherals active, code executing from flash <ul style="list-style-type: none"> • @ 1.8V • @ 3.0V 	—	85	TBD	mA	4
I _{DD_WAIT}	Wait mode high frequency current at 3.0 V — all peripheral clocks disabled	—	35	TBD	mA	2
I _{DD_WAIT}	Wait mode reduced frequency current at 3.0 V — all peripheral clocks disabled	—	15	TBD	mA	5
I _{DD_STOP}	Stop mode current at 3.0 V	—	0.4	TBD	mA	
I _{DD_VLPR}	Very-low-power run mode current at 3.0 V — all peripheral clocks disabled	—	1.25	TBD	mA	6
I _{DD_VLPR}	Very-low-power run mode current at 3.0 V — all peripheral clocks enabled	—	TBD	TBD	mA	7
I _{DD_VLPW}	Very-low-power wait mode current at 3.0 V	—	1.05	TBD	mA	8
I _{DD_VLPS}	Very-low-power stop mode current at 3.0 V	—	50	TBD	μA	
I _{DD_LLS}	Low leakage stop mode current at 3.0 V	—	12	TBD	μA	
I _{DD_VLLS3}	Very low-leakage stop mode 3 current at 3.0 V <ul style="list-style-type: none"> • 128KB RAM devices 	—	8	TBD	μA	
I _{DD_VLLS2}	Very low-leakage stop mode 2 current at 3.0 V	—	4	TBD	μA	
I _{DD_VLLS1}	Very low-leakage stop mode 1 current at 3.0 V	—	2	TBD	μA	
I _{DD_VBAT}	Average current when CPU is not accessing RTC registers at 3.0 V	—	550	TBD	nA	9

1. The analog supply current is the sum of the active or disabled current for each of the analog modules on the device. See each module's specification for its supply current.
2. 100MHz core and system clock, 50MHz bus and FlexBus clock, and 25MHz flash clock . MCG configured for FEI mode. All peripheral clocks disabled.
3. 100MHz core and system clock, 50MHz bus and FlexBus clock, and 25MHz flash clock. MCG configured for FEI mode. All peripheral clocks enabled, but peripherals are not in active operation.
4. 100MHz core and system clock, 50MHz bus and FlexBus clock, and 25MHz flash clock. MCG configured for FEI mode. All peripheral clocks enabled, and peripherals are in active operation.

General

- 25MHz core and system clock, 25MHz bus clock, and 12.5MHz FlexBus and flash clock. MCG configured for FEI mode.
- 2 MHz core, system, FlexBus, and bus clock and 1MHz flash clock. MCG configured for fast IRCLK mode. All peripheral clocks disabled. Code executing from flash.
- 2 MHz core, system, FlexBus, and bus clock and 1MHz flash clock. MCG configured for fast IRCLK mode. All peripheral clocks enabled but peripherals are not in active operation. Code executing from flash.
- 2 MHz core, system, FlexBus, and bus clock and 1MHz flash clock. MCG configured for fast IRCLK mode. All peripheral clocks disabled.
- Includes 32kHz oscillator current and RTC operation.

5.1.5.1 Diagram: Typical IDD_RUN operating behavior

The following data was measured under these conditions:

- MCG in FEI mode (39.0625 kHz IRC), except for 1 MHz core (FBE)
- All peripheral clocks disabled except FTFL
- LVD disabled, USB regulator disabled
- No GPIOs toggled
- Code execution from flash

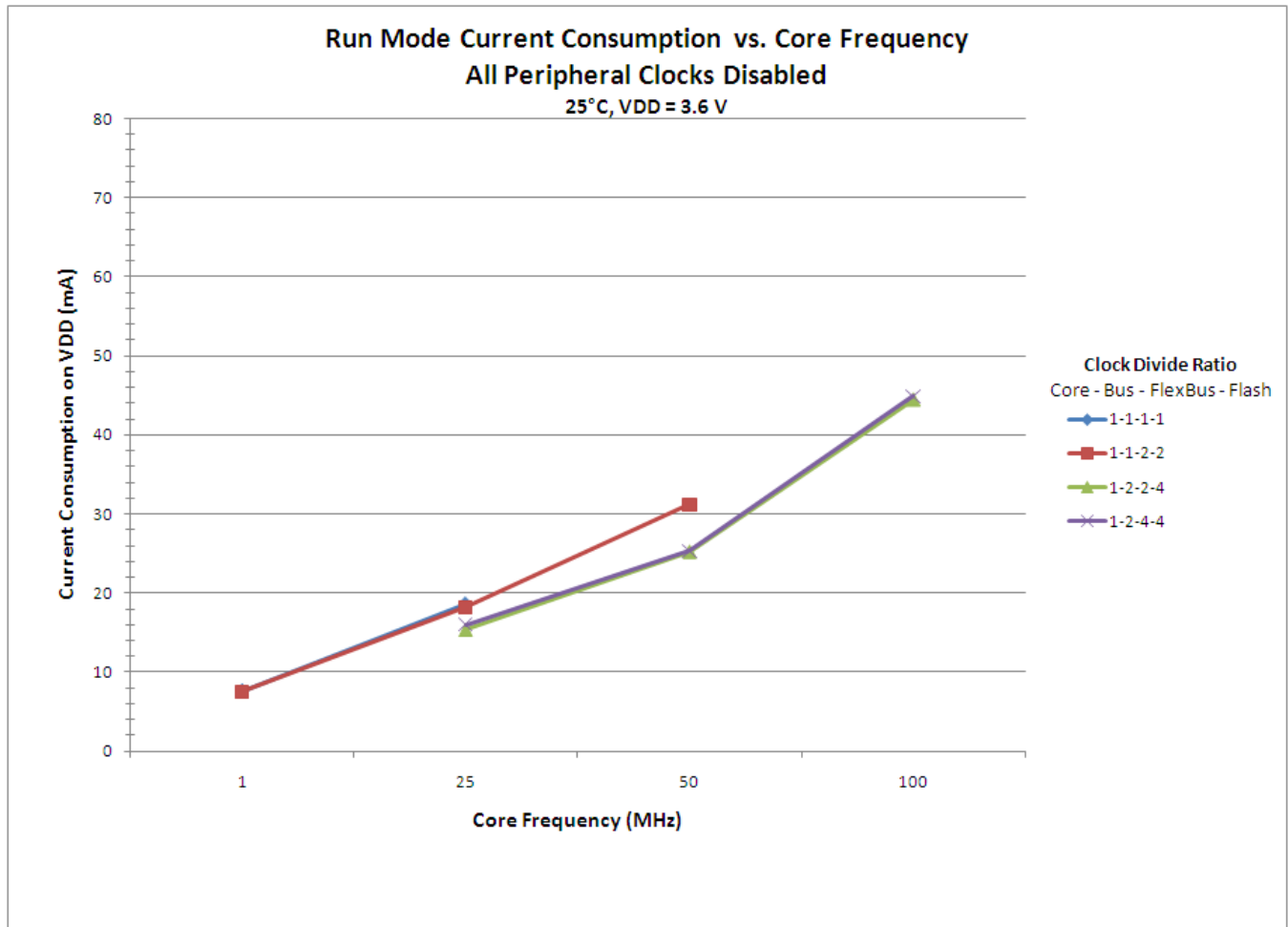


Figure 1. Run mode supply current vs. core frequency — all peripheral clocks disabled

The following data was measured under these conditions:

- MCG in FEI mode (39.0625 kHz IRC), except for 1 MHz core (FBE)
- All peripheral clocks enabled but peripherals are not in active operation
- LVD disabled, USB regulator disabled
- No GPIOs toggled
- Code execution from flash

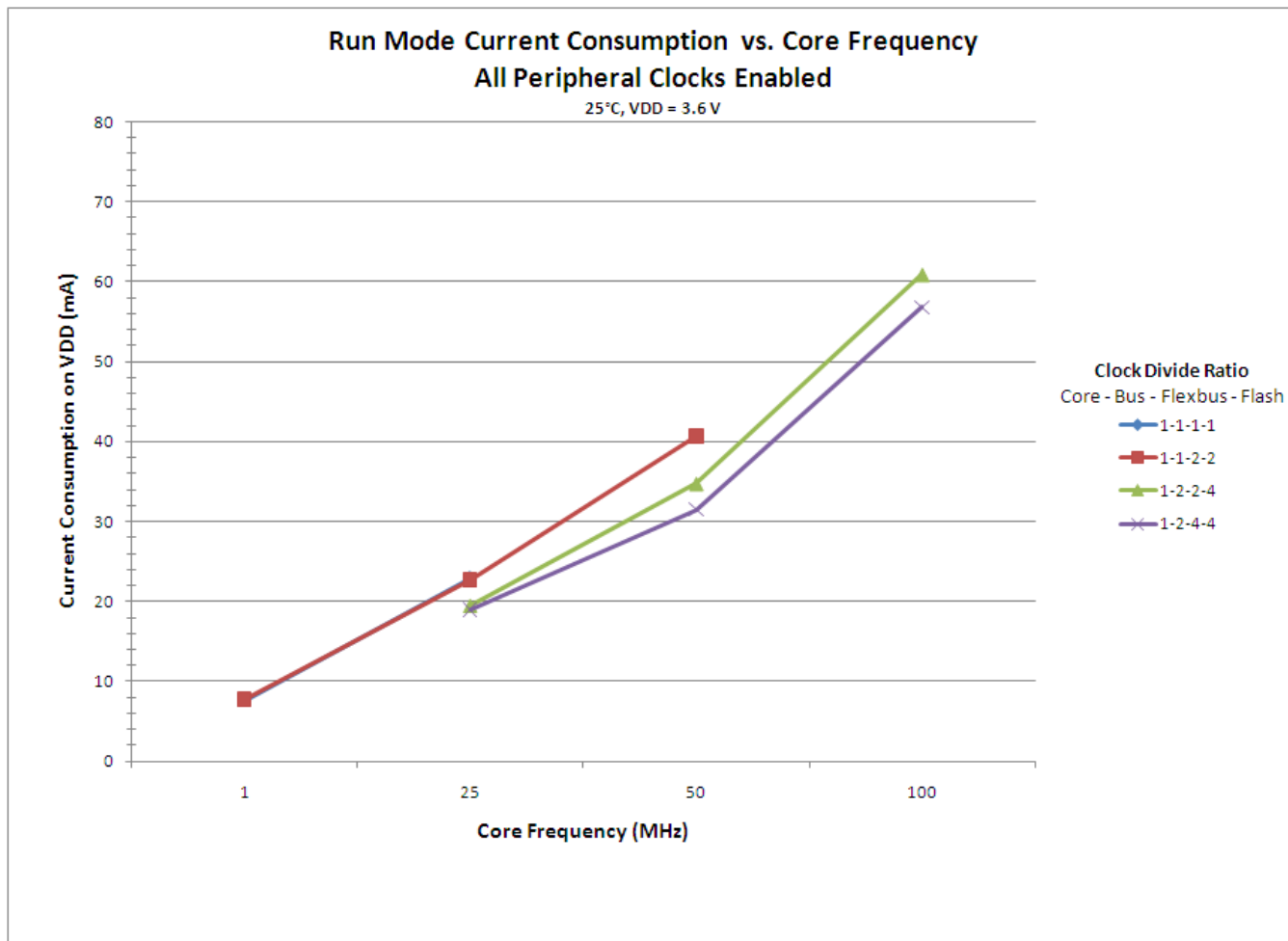


Figure 2. Run mode supply current vs. core frequency — all peripheral clocks enabled

5.1.6 EMC radiated emissions operating behaviors

Table 7. EMC radiated emissions operating behaviors

Symbol	Description	Frequency band (MHz)	Typ.	Unit	Notes
V _{RE1}	Radiated emissions voltage, band 1	0.15–50	TBD	dB μ V	1, 2
V _{RE2}	Radiated emissions voltage, band 2	50–150	TBD		
V _{RE3}	Radiated emissions voltage, band 3	150–500	TBD		
V _{RE4}	Radiated emissions voltage, band 4	500–1000	TBD		
V _{RE_IEC_SAE}	IEC and SAE level	0.15–1000	TBD	—	2, 3

1. Determined according to IEC Standard 61967-1, *Integrated Circuits - Measurement of Electromagnetic Emissions, 150 kHz to 1 GHz Part 1: General Conditions and Definitions*, IEC Standard 61967-2, *Integrated Circuits - Measurement of Electromagnetic Emissions, 150 kHz to 1 GHz Part 2: Measurement of Radiated Emissions—TEM Cell and Wideband TEM Cell Method*, and SAE Standard J1752-3, *Measurement of Radiated Emissions from Integrated Circuits—TEM/Wideband TEM (GTEM) Cell Method*.
2. V_{DD} = 3 V, T_A = 25 °C, f_{OSC} = 12 MHz (crystal), f_{SYS} = 96 MHz
3. Specified according to Annex D of IEC Standard 61967-2, *Measurement of Radiated Emissions—TEM Cell and Wideband TEM Cell Method*, and Appendix D of SAE Standard J1752-3, *Measurement of Radiated Emissions from Integrated Circuits—TEM/Wideband TEM (GTEM) Cell Method*.

5.1.7 Designing with radiated emissions in mind

To find application notes that provide guidance on designing your system to minimize interference from radiated emissions:

1. Go to <http://www.freescale.com>.
2. Perform a keyword search for “EMC design.”

5.1.8 Capacitance attributes

Table 8. Capacitance attributes

Symbol	Description	Min.	Max.	Unit
C _{IN_A}	Input capacitance: analog pins	—	7	pF
C _{IN_D}	Input capacitance: digital pins	—	7	pF

5.2 Switching specifications

5.2.1 Device clock specifications

Symbol	Description	Min.	Max.	Unit	Notes
Normal run mode					
f _{SYS}	System and core clock	—	100	MHz	
f _{SYS_USB}	System and core clock when USB in operation	20	—	MHz	
f _{BUS}	Bus clock	—	50	MHz	
FB_CLK	FlexBus clock	—	50	MHz	
f _{FLASH}	Flash clock	—	25	MHz	
VLPR mode					
f _{SYS}	System and core clock	—	2	MHz	
f _{BUS}	Bus clock	—	2	MHz	
FB_CLK	FlexBus clock	—	2	MHz	
f _{FLASH}	Flash clock	—	1	MHz	

5.2.2 General switching specifications

These general purpose specifications apply to all signals configured for GPIO, UART, CMT, and I²C signals.

Symbol	Description	Min.	Max.	Unit	Notes
	GPIO pin interrupt pulse width (digital glitch filter disabled) — Synchronous path	1.5	—	Bus clock cycles	1
	GPIO pin interrupt pulse width (digital glitch filter disabled, analog filter enabled) — Asynchronous path	100	—	ns	2
	GPIO pin interrupt pulse width (digital glitch filter disabled, analog filter disabled) — Asynchronous path	16	—	ns	2
	External reset pulse width (digital glitch filter disabled)	TBD	—		
	Mode select (EZP_CS) hold time after reset deassertion	2	—	Bus clock cycles	
	Port rise and fall time (high drive strength)				3
	<ul style="list-style-type: none"> • Slew disabled • Slew enabled 	— —	12 36	ns ns	
	Port rise and fall time (low drive strength)				4
	<ul style="list-style-type: none"> • Slew disabled • Slew enabled 	— —	32 36	ns ns	

1. The greater synchronous and asynchronous timing must be met.
2. This is the shortest pulse that is guaranteed to be recognized.
3. 75pF load

4. 15pF load

5.3 Thermal specifications

5.3.1 Thermal operating requirements

Table 9. Thermal operating requirements

Symbol	Description	Min.	Max.	Unit
T_J	Die junction temperature	-40	125	°C
T_A	Ambient temperature	-40	85	°C

5.3.2 Thermal attributes

Board type	Symbol	Description	144 LQFP	144 MAPBGA	Unit	Notes
Single-layer (1s)	$R_{\theta JA}$	Thermal resistance, junction to ambient (natural convection)	52	50	°C/W	1
Four-layer (2s2p)	$R_{\theta JA}$	Thermal resistance, junction to ambient (natural convection)	44	30	°C/W	1
Single-layer (1s)	$R_{\theta JMA}$	Thermal resistance, junction to ambient (200 ft./min. air speed)	43	41	°C/W	1
Four-layer (2s2p)	$R_{\theta JMA}$	Thermal resistance, junction to ambient (200 ft./min. air speed)	38	27	°C/W	1
—	$R_{\theta JB}$	Thermal resistance, junction to board	33	17	°C/W	2
—	$R_{\theta JC}$	Thermal resistance, junction to case	11	10	°C/W	3
—	Ψ_{JT}	Thermal characterization parameter, junction to package top outside center (natural convection)	2	2	°C/W	4

- Determined according to JEDEC Standard JESD51-2, *Integrated Circuits Thermal Test Method Environmental Conditions—Natural Convection (Still Air)*, or EIA/JEDEC Standard JESD51-6, *Integrated Circuit Thermal Test Method Environmental Conditions—Forced Convection (Moving Air)*.

6 Peripheral operating requirements and behaviors

All digital I/O switching characteristics assume:

- output pins
 - have $C_L=30\text{pF}$ loads,
 - are configured for fast slew rate ($\text{PORTx_PCRn[SRE]}=0$), and
 - are configured for high drive strength ($\text{PORTx_PCRn[DSE]}=1$)

2. input pins

- have their passive filter disabled (PORTx_PCRn[PFE]=0)

6.1 Core modules

6.1.1 Debug trace timing specifications

Table 10. Debug trace operating behaviors

Symbol	Description	Min.	Max.	Unit
T_{cyc}	Clock period	Frequency dependent		MHz
T_{wl}	Low pulse width	2	—	ns
T_{wh}	High pulse width	2	—	ns
T_r	Clock and data rise time	—	3	ns
T_f	Clock and data fall time	—	3	ns
T_s	Data setup	3	—	ns
T_h	Data hold	2	—	ns

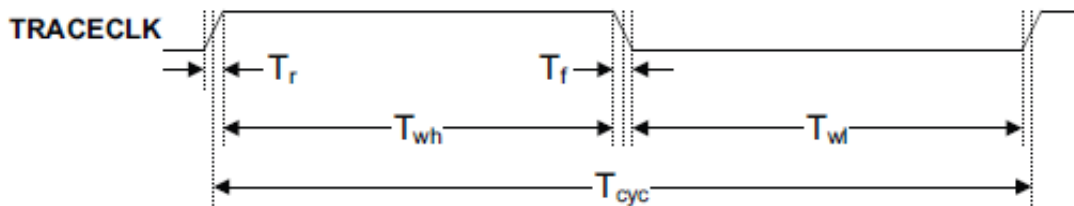


Figure 3. TRACE_CLKOUT specifications

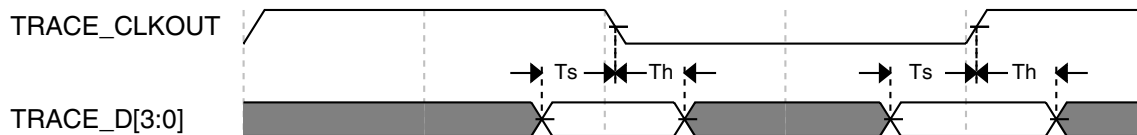


Figure 4. Trace data specifications

6.1.2 JTAG electricals

Table 11. JTAG limited voltage range electricals

Symbol	Description	Min.	Max.	Unit
	Operating voltage	2.7	3.6	V
J1	TCLK frequency of operation <ul style="list-style-type: none"> • Boundary Scan • JTAG and CJTAG • Serial Wire Debug 	0 0 0	10 25 50	MHz
J2	TCLK cycle period	1/J1	—	ns
J3	TCLK clock pulse width <ul style="list-style-type: none"> • Boundary Scan • JTAG and CJTAG • Serial Wire Debug 	50 20 10	— —	ns
J4	TCLK rise and fall times	—	3	ns
J5	Boundary scan input data setup time to TCLK rise	20	—	ns
J6	Boundary scan input data hold time after TCLK rise	0	—	ns
J7	TCLK low to boundary scan output data valid	—	25	ns
J8	TCLK low to boundary scan output high-Z	—	25	ns
J9	TMS, TDI input data setup time to TCLK rise	8	—	ns
J10	TMS, TDI input data hold time after TCLK rise	1	—	ns
J11	TCLK low to TDO data valid	—	17	ns
J12	TCLK low to TDO high-Z	—	17	ns
J13	TRST assert time	100	—	ns
J14	TRST setup time (negation) to TCLK high	8	—	ns

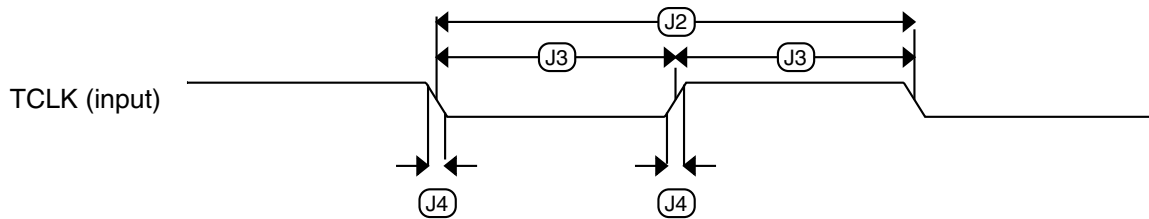
Table 12. JTAG full voltage range electricals

Symbol	Description	Min.	Max.	Unit
	Operating voltage	1.71	3.6	V
J1	TCLK frequency of operation <ul style="list-style-type: none"> • Boundary Scan • JTAG and CJTAG • Serial Wire Debug 	0 0 0	10 20 40	MHz
J2	TCLK cycle period	1/J1	—	ns

Table continues on the next page...

Table 12. JTAG full voltage range electricals (continued)

Symbol	Description	Min.	Max.	Unit
J3	TCLK clock pulse width <ul style="list-style-type: none"> Boundary Scan JTAG and CJTAG Serial Wire Debug 	50 25 12.5	—	ns
J4	TCLK rise and fall times	—	3	ns
J5	Boundary scan input data setup time to TCLK rise	20	—	ns
J6	Boundary scan input data hold time after TCLK rise	0	—	ns
J7	TCLK low to boundary scan output data valid	—	25	ns
J8	TCLK low to boundary scan output high-Z	—	25	ns
J9	TMS, TDI input data setup time to TCLK rise	8	—	ns
J10	TMS, TDI input data hold time after TCLK rise	1.4	—	ns
J11	TCLK low to TDO data valid	—	22.1	ns
J12	TCLK low to TDO high-Z	—	22.1	ns
J13	TRST assert time	100	—	ns
J14	TRST setup time (negation) to TCLK high	8	—	ns

**Figure 5. Test clock input timing**

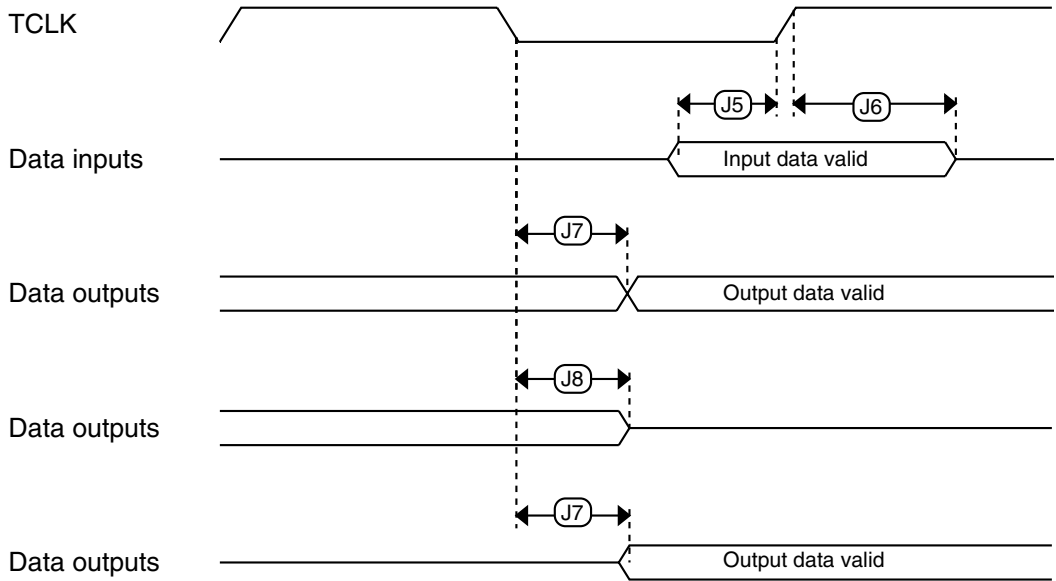


Figure 6. Boundary scan (JTAG) timing

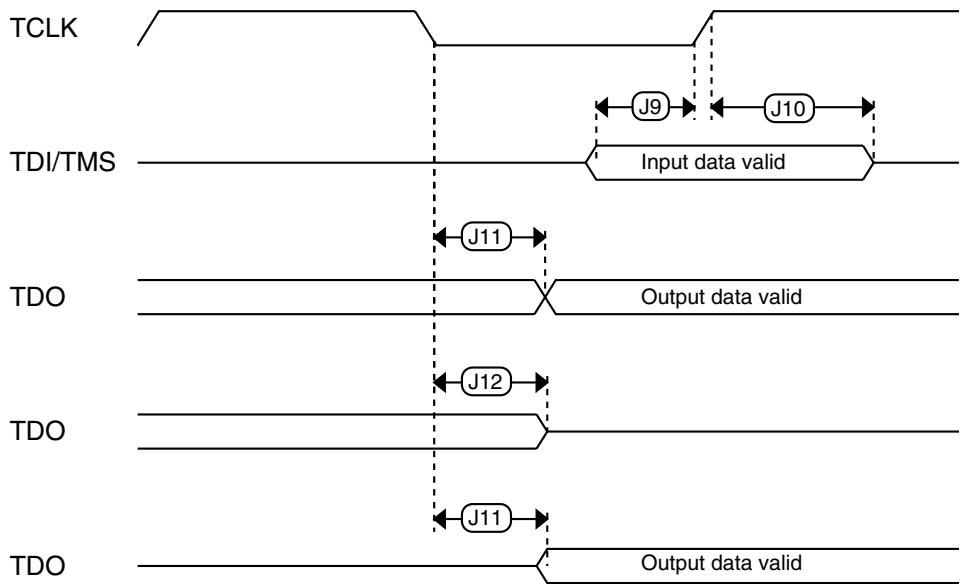


Figure 7. Test Access Port timing

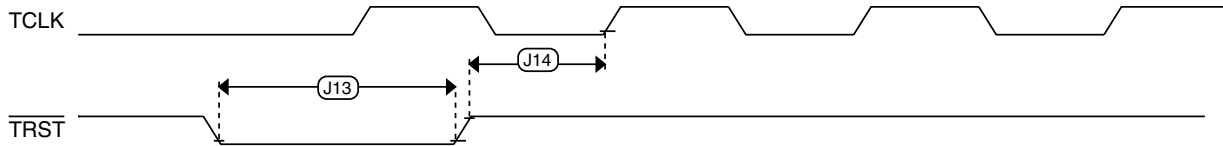


Figure 8. TRST timing

6.2 System modules

There are no specifications necessary for the device's system modules.

6.3 Clock modules

6.3.1 MCG specifications

Table 13. MCG specifications

Symbol	Description	Min.	Typ.	Max.	Unit	Notes
$f_{\text{ints_ft}}$	Internal reference frequency (slow clock) — factory trimmed at nominal VDD and 25°C	—	32.768	—	kHz	
$f_{\text{ints_t}}$	Internal reference frequency (slow clock) — user trimmed	31.25	—	39.0625	kHz	
I_{ints}	Internal reference (slow clock) current	—	TBD	—	μA	
t_{refsts}	Internal reference (slow clock) startup time	—	TBD	4	μs	
$\Delta f_{\text{dco_res_t}}$	Resolution of trimmed DCO output frequency at fixed voltage and temperature — using SCTRIM and SCFTRIM	—	± 0.1	± 0.3	% f_{dco}	1
$\Delta f_{\text{dco_res_t}}$	Resolution of trimmed DCO output frequency at fixed voltage and temperature — using SCTRIM only	—	± 0.2	± 0.5	% f_{dco}	1
$\Delta f_{\text{dco_t}}$	Total deviation of trimmed average DCO output frequency over voltage and temperature	—	+ 0.5 - 1.0	± 3.5	% f_{dco}	1
$\Delta f_{\text{dco_t}}$	Total deviation of trimmed average DCO output frequency over fixed voltage and temperature range of 0–70°C	—	± 0.5	± TBD	% f_{dco}	1
$f_{\text{intf_ft}}$	Internal reference frequency (fast clock) — factory trimmed at nominal VDD and 25°C	3.4	—	4	MHz	
$f_{\text{intf_t}}$	Internal reference frequency (fast clock) — user trimmed	3	—	5	MHz	

Table continues on the next page...

Table 13. MCG specifications (continued)

Symbol	Description	Min.	Typ.	Max.	Unit	Notes	
I_{intf}	Internal reference (fast clock) current	—	TBD	—	μA		
$t_{irefstf}$	Internal reference startup time (fast clock)	—	TBD	TBD	μs		
f_{loc_low}	Loss of external clock minimum frequency — RANGE = 00	$(3/5) \times f_{ints_t}$	—	—	kHz		
f_{loc_high}	Loss of external clock minimum frequency — RANGE = 01, 10, or 11	$(16/5) \times f_{ints_t}$	—	—	kHz		
FLL							
f_{fll_ref}	FLL reference frequency range	31.25	—	39.0625	kHz		
f_{dco}	DCO output frequency range	Low range (DRS=00) $640 \times f_{fll_ref}$	20	20.97	25	MHz	2, 3
		Mid range (DRS=01) $1280 \times f_{fll_ref}$	40	41.94	50	MHz	
		Mid-high range (DRS=10) $1920 \times f_{fll_ref}$	60	62.91	75	MHz	
		High range (DRS=11) $2560 \times f_{fll_ref}$	80	83.89	100	MHz	
$f_{dco_t_DMX3}$ 2	DCO output frequency	Low range (DRS=00) $732 \times f_{fll_ref}$	—	23.99	—	MHz	4, 5
		Mid range (DRS=01) $1464 \times f_{fll_ref}$	—	47.97	—	MHz	
		Mid-high range (DRS=10) $2197 \times f_{fll_ref}$	—	71.99	—	MHz	
		High range (DRS=11) $2929 \times f_{fll_ref}$	—	95.98	—	MHz	
J_{cyc_fll}	FLL period jitter	—	TBD	TBD	ps	6	
J_{acc_fll}	FLL accumulated jitter of DCO output over a 1 μs time window	—	TBD	TBD	ps	6	
$t_{fll_acquire}$	FLL target frequency acquisition time	—	—	1	ms	7	
PLL							
f_{vco}	VCO operating frequency	48.0	—	100	MHz		
I_{pll}	PLL operating current • PLL @ 96 MHz ($f_{osc_hi_1}$ =8MHz, f_{pll_ref} =2MHz, VDIV multiplier=48)	—	950	—	μA	8	
f_{pll_ref}	PLL reference frequency range	2.0	—	4.0	MHz		
J_{cyc_pll}	PLL period jitter	—	400	—	ps	9, 10	
J_{acc_pll}	PLL accumulated jitter over 1 μs window	—	TBD	—	ps	9, 10	

Table continues on the next page...

Table 13. MCG specifications (continued)

Symbol	Description	Min.	Typ.	Max.	Unit	Notes
D _{lock}	Lock entry frequency tolerance	± 1.49	—	± 2.98	%	
D _{unl}	Lock exit frequency tolerance	± 4.47	—	± 5.97	%	
t _{pll_lock}	Lock detector detection time	—	—	0.15 + 1075(1/ f _{pll_ref})	ms	11

1. This parameter is measured with the internal reference (slow clock) being used as a reference to the FLL (FEI clock mode).
2. These typical values listed are with the slow internal reference clock (FEI) using factory trim and DMX32=0.
3. The resulting system clock frequencies should not exceed their maximum specified values. The DCO frequency deviation (Δf_{dco_t}) over voltage and temperature should be considered.
4. These typical values listed are with the slow internal reference clock (FEI) using factory trim and DMX32=1.
5. The resulting clock frequency must not exceed the maximum specified clock frequency of the device.
6. This specification was obtained at TBD frequency.
7. This specification applies to any time the FLL reference source or reference divider is changed, trim value is changed, DMX32 bit is changed, DRS bits are changed, or changing from FLL disabled (BLPE, BLPI) to FLL enabled (FEI, FEE, FBE, FBI). If a crystal/resonator is being used as the reference, this specification assumes it is already running.
8. Excludes any oscillator currents that are also consuming power while PLL is in operation.
9. This specification was obtained using a Freescale developed PCB. PLL jitter is dependent on the noise characteristics of each PCB and results will vary.
10. This specification was obtained at internal frequency of TBD.
11. This specification applies to any time the PLL VCO divider or reference divider is changed, or changing from PLL disabled (BLPE, BLPI) to PLL enabled (PBE, PEE). If a crystal/resonator is being used as the reference, this specification assumes it is already running.

6.3.2 Oscillator electrical specifications

This section provides the electrical characteristics of the module.

6.3.2.1 Oscillator DC electrical specifications

Table 14. Oscillator DC electrical specifications

Symbol	Description	Min.	Typ.	Max.	Unit	Notes
V _{DD}	Supply voltage	1.71	—	3.6	V	
I _{DDOSC}	Supply current — low-power mode (HGO=0) <ul style="list-style-type: none"> • 32 kHz • 4 MHz • 8 MHz • 16 MHz • 24 MHz • 32 MHz 	—	500	—	nA	1
		—	200	—	μA	
		—	300	—	μA	
		—	700	—	μA	
		—	1.2	—	mA	
		—	1.5	—	mA	

Table continues on the next page...

Table 14. Oscillator DC electrical specifications (continued)

Symbol	Description	Min.	Typ.	Max.	Unit	Notes
I _{DDOSC}	Supply current — high gain mode (HGO=1)					1
	• 32 kHz	—	25	—	μA	
	• 4 MHz	—	400	—	μA	
	• 8 MHz	—	800	—	μA	
	• 16 MHz	—	1.5	—	mA	
	• 24 MHz	—	3	—	mA	
• 32 MHz	—	4	—	mA		
C _x	EXTAL load capacitance	—	—	—		2, 3
C _y	XTAL load capacitance	—	—	—		2, 3
R _F	Feedback resistor — low-frequency, low-power mode (HGO=0)	—	—	—	MΩ	2, 4
	Feedback resistor — low-frequency, high-gain mode (HGO=1)	—	10	—	MΩ	
	Feedback resistor — high-frequency, low-power mode (HGO=0)	—	—	—	MΩ	
	Feedback resistor — high-frequency, high-gain mode (HGO=1)	—	1	—	MΩ	
R _S	Series resistor — low-frequency, low-power mode (HGO=0)	—	—	—	kΩ	
	Series resistor — low-frequency, high-gain mode (HGO=1)	—	200	—	kΩ	
	Series resistor — high-frequency, low-power mode (HGO=0)	—	—	—	kΩ	
	Series resistor — high-frequency, high-gain mode (HGO=1)	—	0	—	kΩ	
V _{pp} ⁵	Peak-to-peak amplitude of oscillation (oscillator mode) — low-frequency, low-power mode (HGO=0)	—	0.6	—	V	
	Peak-to-peak amplitude of oscillation (oscillator mode) — low-frequency, high-gain mode (HGO=1)	—	V _{DD}	—	V	
	Peak-to-peak amplitude of oscillation (oscillator mode) — high-frequency, low-power mode (HGO=0)	—	0.6	—	V	
	Peak-to-peak amplitude of oscillation (oscillator mode) — high-frequency, high-gain mode (HGO=1)	—	V _{DD}	—	V	

1. V_{DD}=3.3 V, Temperature =25 °C
2. See crystal or resonator manufacturer's recommendation
3. C_x,C_y can be provided by using either the integrated capacitors or by using external components.
4. When low power mode is selected, R_F is integrated and must not be attached externally.

5. The EXTAL and XTAL pins should only be connected to required oscillator components and must not be connected to any other devices.

6.3.2.2 Oscillator frequency specifications

Table 15. Oscillator frequency specifications

Symbol	Description	Min.	Typ.	Max.	Unit	Notes
f_{osc_lo}	Oscillator crystal or resonator frequency — low frequency mode (MCG_C2[RANGE]=00)	32	—	40	kHz	
$f_{osc_hi_1}$	Oscillator crystal or resonator frequency — high frequency mode (low range) (MCG_C2[RANGE]=01)	3	—	8	MHz	
$f_{osc_hi_2}$	Oscillator crystal or resonator frequency — high frequency mode (high range) (MCG_C2[RANGE]=1x)	8	—	32	MHz	
f_{ec_extal}	Input clock frequency (external clock mode)	—	—	50	MHz	1
t_{dc_extal}	Input clock duty cycle (external clock mode)	40	50	60	%	
t_{cst}	Crystal startup time — 32 kHz low-frequency, low-power mode (HGO=0)	—	TBD	—	ms	2, 3
	Crystal startup time — 32 kHz low-frequency, high-gain mode (HGO=1)	—	800	—	ms	
	Crystal startup time — 8 MHz high-frequency (MCG_C2[RANGE]=01), low-power mode (HGO=0)	—	4	—	ms	
	Crystal startup time — 8 MHz high-frequency (MCG_C2[RANGE]=01), high-gain mode (HGO=1)	—	3	—	ms	

1. Other frequency limits may apply when external clock is being used as a reference for the FLL or PLL.
2. Proper PC board layout procedures must be followed to achieve specifications.
3. Crystal startup time is defined as the time between the oscillator being enabled and the OSCINIT bit in the MCG_S register being set.

6.3.3 32kHz Oscillator Electrical Characteristics

This section describes the module electrical characteristics.

6.3.3.1 32kHz oscillator DC electrical specifications

Table 16. 32kHz oscillator DC electrical specifications

Symbol	Description	Min.	Typ.	Max.	Unit
V_{BAT}	Supply voltage	1.71	—	3.6	V
R_F	Internal feedback resistor	—	100	—	M Ω
C_{para}	Parasitical capacitance of EXTAL32 and XTAL32	—	2.5	—	pF

Table continues on the next page...

Table 16. 32kHz oscillator DC electrical specifications (continued)

Symbol	Description	Min.	Typ.	Max.	Unit
C_{load}	Internal load capacitance (programmable)	—	15	—	pF
V_{pp}	Peak-to-peak amplitude of oscillation	—	0.6	—	V

6.3.3.2 32kHz oscillator frequency specifications

Table 17. 32kHz oscillator frequency specifications

Symbol	Description	Min.	Typ.	Max.	Unit	Notes
f_{osc_lo}	Oscillator crystal	—	32	—	kHz	
t_{start}	Crystal start-up time	—	1000	—	ms	1

1. Proper PC board layout procedures must be followed to achieve specifications.

6.4 Memories and memory interfaces

6.4.1 Flash (FTFL) electrical specifications

This section describes the electrical characteristics of the FTFL module.

6.4.1.1 Flash timing specifications — program and erase

The following specifications represent the amount of time the internal charge pumps are active and do not include command overhead.

Table 18. NVM program/erase timing specifications

Symbol	Description	Min.	Typ.	Max.	Unit	Notes
t_{hvpgm4}	Longword Program high-voltage time	—	20	TBD	μ s	
$t_{hversscr}$	Sector Erase high-voltage time	—	20	100	ms	1
$t_{hversblk256k}$	Erase Block high-voltage time for 256 KB	—	160	800	ms	1

1. Maximum time based on expectations at cycling end-of-life.

6.4.1.2 Flash timing specifications — commands

Table 19. Flash command timing specifications

Symbol	Description	Min.	Typ.	Max.	Unit	Notes
$t_{rd1blk256k}$	Read 1s Block execution time • 256 KB data flash	—	—	1.4	ms	
$t_{rd1sec2k}$	Read 1s Section execution time (flash sector)	—	—	40	μ s	1
t_{pgmchk}	Program Check execution time	—	—	35	μ s	1
t_{rdsrc}	Read Resource execution time	—	—	35	μ s	1
t_{pgm4}	Program Longword execution time	—	50	TBD	μ s	
$t_{ersblk256k}$	Erase Flash Block execution time • 256 KB data flash	—	160	800	ms	2
t_{ersscr}	Erase Flash Sector execution time	—	20	100	ms	2
$t_{pgmsec512}$	Program Section execution time • 512 B flash	—	TBD	TBD	ms	
$t_{pgmsec1k}$	• 1 KB flash	—	TBD	TBD	ms	
$t_{pgmsec2k}$	• 2 KB flash	—	TBD	TBD	ms	
t_{rd1all}	Read 1s All Blocks execution time	—	—	2.8	ms	
t_{rdonce}	Read Once execution time	—	—	35	μ s	1
$t_{pgmonce}$	Program Once execution time	—	50	TBD	μ s	
t_{ersall}	Erase All Blocks execution time	—	320	1600	ms	2
t_{vfykey}	Verify Backdoor Access Key execution time	—	—	35	μ s	1

1. Assumes 25MHz flash clock frequency.
2. Maximum times for erase parameters based on expectations at cycling end-of-life.

6.4.1.3 Flash (FTFL) current and power specifications

Table 20. Flash (FTFL) current and power specifications

Symbol	Description	Typ.	Unit
I_{DD_PGM}	Worst case programming current in program flash	10	mA

6.4.1.4 Reliability specifications

Table 21. NVM reliability specifications

Symbol	Description	Min.	Typ. ¹	Max.	Unit	Notes
Program Flash						
$t_{nvmretp10k}$	Data retention after up to 10 K cycles	5	TBD	—	years	2
$t_{nvmretp1k}$	Data retention after up to 1 K cycles	10	TBD	—	years	2

Table continues on the next page...

Table 21. NVM reliability specifications (continued)

Symbol	Description	Min.	Typ. ¹	Max.	Unit	Notes
$t_{\text{nmretp100}}$	Data retention after up to 100 cycles	15	TBD	—	years	2
n_{nmcyep}	Cycling endurance	10 K	TBD	—	cycles	3

1. Typical data retention values are based on intrinsic capability of the technology measured at high temperature derated to 25°C. For additional information on how Freescale defines typical data retention, please refer to Engineering Bulletin EB618.
2. Data retention is based on $T_{\text{javg}} = 55^\circ\text{C}$ (temperature profile over the lifetime of the application).
3. Cycling endurance represents number of program/erase cycles at $-40^\circ\text{C} \leq T_j \leq 125^\circ\text{C}$.

6.4.2 EzPort Switching Specifications

Table 22. EzPort switching specifications

Num	Description	Min.	Max.	Unit
	Operating voltage	2.7	3.6	V
EP1	EZP_CK frequency of operation (all commands except READ)	—	$f_{\text{SYS}}/2$	MHz
EP1a	EZP_CK frequency of operation (READ command)	—	$f_{\text{SYS}}/8$	MHz
EP2	EZP_C $\bar{\text{S}}$ negation to next EZP_C $\bar{\text{S}}$ assertion	$2 \times t_{\text{EZP_CK}}$	—	ns
EP3	EZP_C $\bar{\text{S}}$ input valid to EZP_CK high (setup)	5	—	ns
EP4	EZP_CK high to EZP_C $\bar{\text{S}}$ input invalid (hold)	5	—	ns
EP5	EZP_D input valid to EZP_CK high (setup)	2	—	ns
EP6	EZP_CK high to EZP_D input invalid (hold)	5	—	ns
EP7	EZP_CK low to EZP_Q output valid (setup)	—	12	ns
EP8	EZP_CK low to EZP_Q output invalid (hold)	0	—	ns
EP9	EZP_C $\bar{\text{S}}$ negation to EZP_Q tri-state	—	12	ns

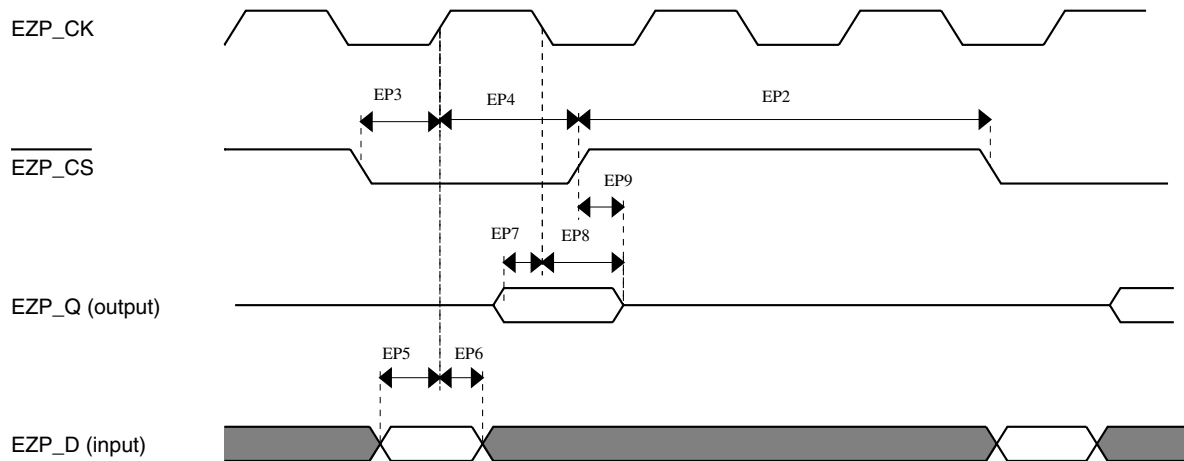


Figure 9. EzPort Timing Diagram

6.4.3 Flexbus Switching Specifications

All processor bus timings are synchronous; input setup/hold and output delay are given in respect to the rising edge of a reference clock, FB_CLK. The FB_CLK frequency may be the same as the internal system bus frequency or an integer divider of that frequency.

The following timing numbers indicate when data is latched or driven onto the external bus, relative to the Flexbus output clock (FB_CLK). All other timing relationships can be derived from these values.

Table 23. Flexbus switching specifications

Num	Description	Min.	Max.	Unit	Notes
	Operating voltage	2.7	3.6	V	
	Frequency of operation	—	50	Mhz	
FB1	Clock period	20	—	ns	
FB2	Address, data, and control output valid	TBD	11.5	ns	1
FB3	Address, data, and control output hold	0	—	ns	1
FB4	Data and $\overline{\text{FB_TA}}$ input setup	8.5	—	ns	2
FB5	Data and $\overline{\text{FB_TA}}$ input hold	0.5	—	ns	2

1. Specification is valid for all FB_AD[31:0], $\overline{\text{FB_BE/BWE}}_n$, $\overline{\text{FB_CS}}_n$, FB_OE, FB_R/W, FB_TBST, FB_TSIZ[1:0], FB_ALE, and $\overline{\text{FB_TS}}$.
2. Specification is valid for all FB_AD[31:0] and $\overline{\text{FB_TA}}$.

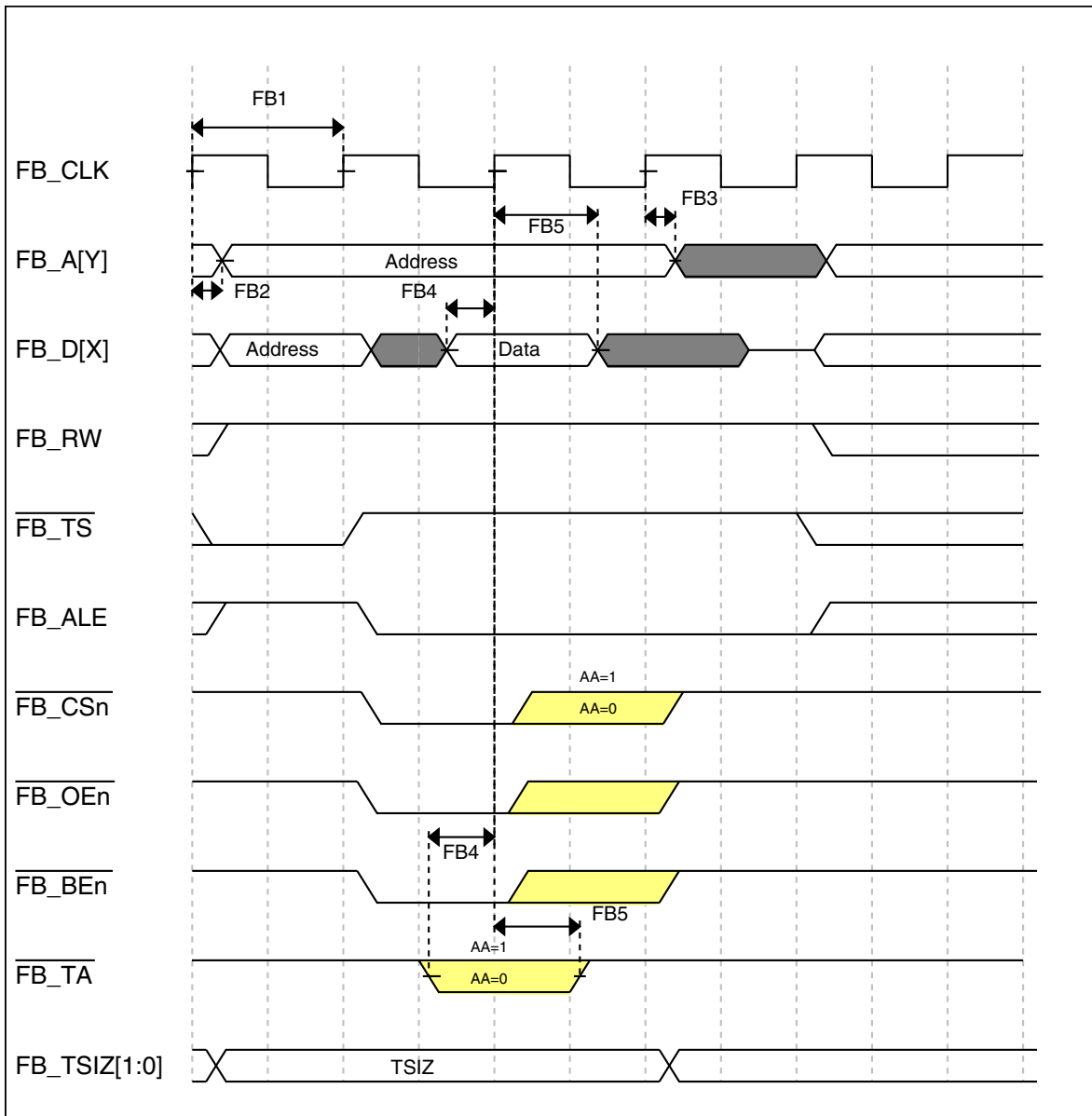


Figure 10. FlexBus read timing diagram

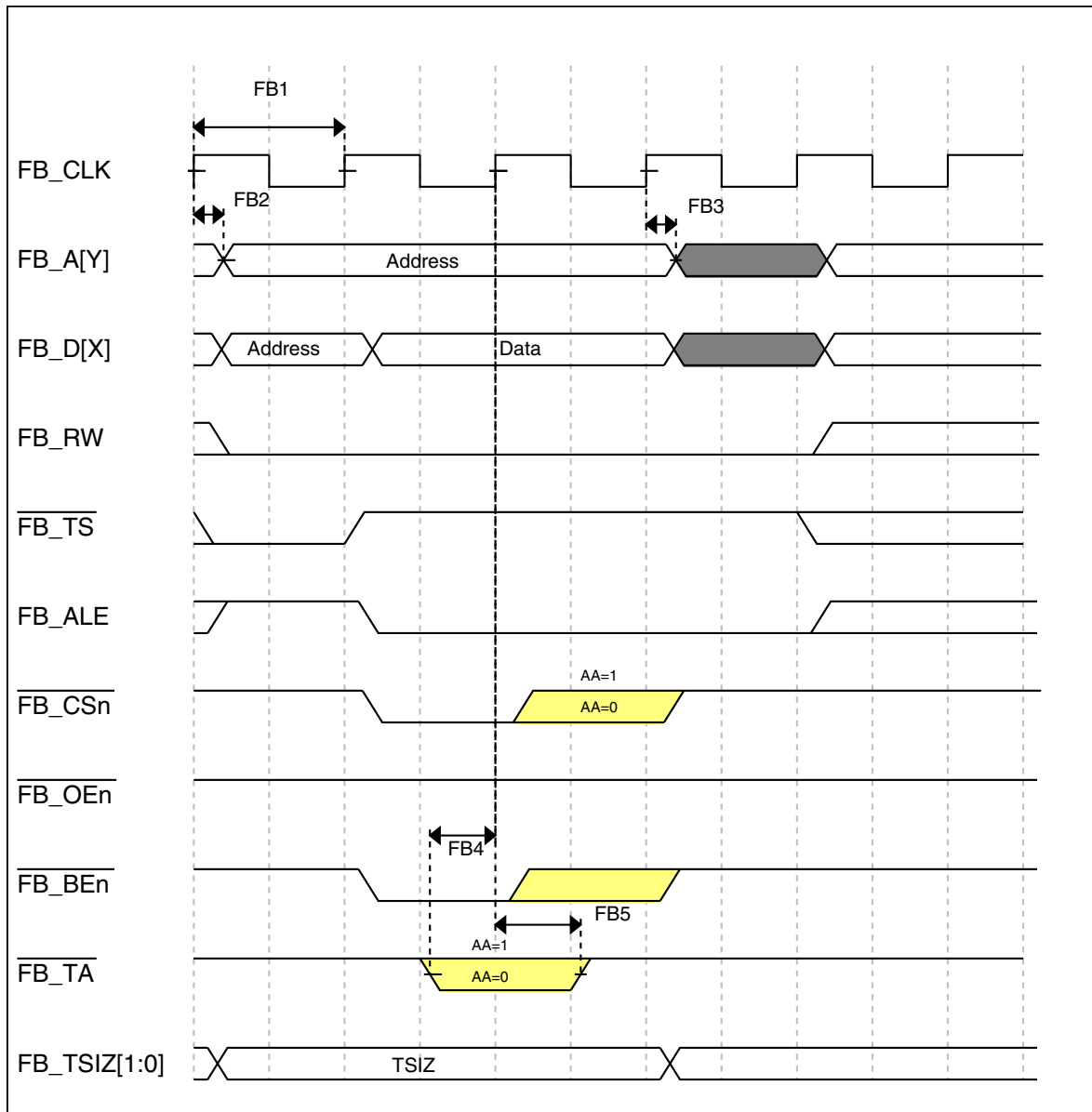


Figure 11. FlexBus write timing diagram

6.5 Security and integrity modules

There are no specifications necessary for the device's security and integrity modules.

6.6 Analog

6.6.1 ADC electrical specifications

The 16-bit accuracy specifications listed in [Table 24](#) and [Table 25](#) are achievable on the differential pins ADC_x_DP0, ADC_x_DM0, ADC_x_DP1, ADC_x_DM1, ADC_x_DP3, and ADC_x_DM3.

The ADC_x_DP2 and ADC_x_DM2 ADC inputs are used as the PGA inputs and are not direct device pins. Accuracy specifications for these pins are defined in [Table 26](#) and [Table 27](#).

All other ADC channels meet the 13-bit differential/12-bit single-ended accuracy specifications.

6.6.1.1 16-bit ADC operating conditions

Table 24. 16-bit ADC operating conditions

Symbol	Description	Conditions	Min.	Typ. ¹	Max.	Unit	Notes
V _{DDA}	Supply voltage	Absolute	1.71	—	3.6	V	
ΔV _{DDA}	Supply voltage	Delta to V _{DD} (V _{DD} -V _{DDA})	-100	0	+100	mV	2
ΔV _{SSA}	Ground voltage	Delta to V _{SS} (V _{SS} -V _{SSA})	-100	0	+100	mV	2
V _{REFH}	ADC reference voltage high		1.13	V _{DDA}	V _{DDA}	V	
V _{REFL}	Reference voltage low		V _{SSA}	V _{SSA}	V _{SSA}	V	
V _{ADIN}	Input voltage		V _{REFL}	—	V _{REFH}	V	
C _{ADIN}	Input capacitance	<ul style="list-style-type: none"> 16 bit modes 8/10/12 bit modes 	—	8	10	pF	
R _{ADIN}	Input resistance		—	2	5	kΩ	
R _{AS}	Analog source resistance	13/12 bit modes f _{ADCK} < 4MHz	—	—	5	kΩ	3
f _{ADCK}	ADC conversion clock frequency	≤13 bit modes	1.0	—	18.0	MHz	4
f _{ADCK}	ADC conversion clock frequency	16 bit modes	2.0	—	12.0	MHz	5

Table continues on the next page...

Table 24. 16-bit ADC operating conditions (continued)

Symbol	Description	Conditions	Min.	Typ. ¹	Max.	Unit	Notes
C_{rate}	ADC conversion rate	≤ 13 bit modes No ADC hardware averaging Continuous conversions enabled Peripheral clock = 50MHz	18.484	—	818.330	Ksps	6
C_{rate}	ADC conversion rate	16 bit modes No ADC hardware averaging Continuous conversions enabled Peripheral clock = 50MHz	37.037	—	361.402	Ksps	7

1. Typical values assume $V_{DDA} = 3.0$ V, Temp = 25°C, $f_{ADCK} = 1.0$ MHz unless otherwise stated. Typical values are for reference only and are not tested in production.
2. DC potential difference.
3. This resistance is external to MCU. The analog source resistance should be kept as low as possible in order to achieve the best results. The results in this datasheet were derived from a system which has $<8 \Omega$ analog source resistance. The R_{AS}/C_{AS} time constant should be kept to <1 ns.
4. In order to use the maximum ADC conversion clock frequency ADHSC bit should be set and the ADLPC should be clear.
5. In order to use the maximum ADC conversion clock frequency ADHSC bit should be set and the ADLPC should be clear.
6. For guidelines and examples of conversion rate calculation please download the ADC calculator tool http://cache.freescale.com/files/soft_dev_tools/software/app_software/converters/ADC_CALCULATOR_CNV.zip?fpsp=1
7. For guidelines and examples of conversion rate calculation please download the ADC calculator tool http://cache.freescale.com/files/soft_dev_tools/software/app_software/converters/ADC_CALCULATOR_CNV.zip?fpsp=1

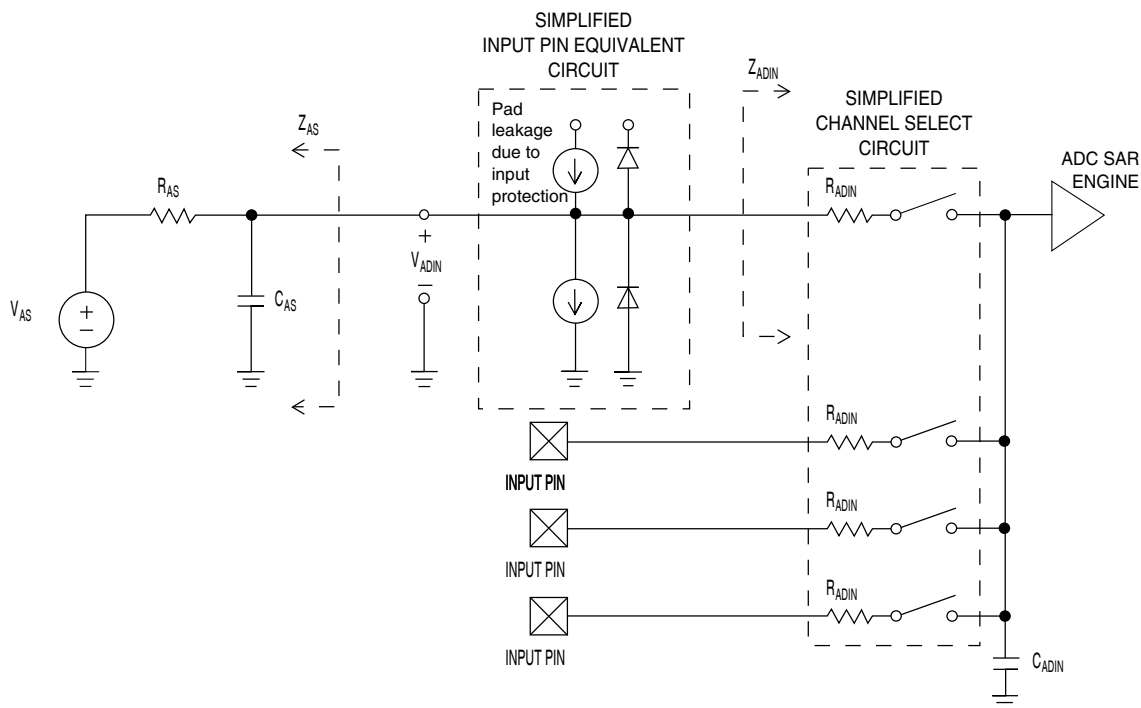


Figure 12. ADC input impedance equivalency diagram

6.6.1.2 16-bit ADC electrical characteristics

Table 25. 16-bit ADC characteristics ($V_{REFH} = V_{DDA}$, $V_{REFL} = V_{SSA}$)

Symbol	Description	Conditions ¹	Min.	Typ. ²	Max.	Unit	Notes
I_{DDA}	Supply current		0.215	—	1.7	mA	3
f_{ADACK}	ADC asynchronous clock source	<ul style="list-style-type: none"> ADLPC=1, ADHSC=0 ADLPC=1, ADHSC=1 ADLPC=0, ADHSC=0 ADLPC=0, ADHSC=1 	—	2.4	—	MHz	$t_{ADACK} = 1/f_{ADACK}$
			—	4.0	—	MHz	
			—	5.2	—	MHz	
			—	6.2	—	MHz	
	Sample Time	See Reference Manual chapter for sample times					
	Conversion Time	The ADC calculator tool can be used to determine ADC conversion times for different ADC configurations: http://cache.freescale.com/files/soft_dev_tools/software/app_software/converters/ADC_CALCULATOR_CNV.zip?fp=1					
TUE	Total unadjusted error	<ul style="list-style-type: none"> ≤13 bit modes <12 bit modes 		±0.8	±TBD	LSB ⁴	ADC conversion clock <12MHz, Max hardware averaging (AVGE = %1, AVGS = %11)
				±0.5	±1		

Table continues on the next page...

Table 25. 16-bit ADC characteristics ($V_{REFH} = V_{DDA}$, $V_{REFL} = V_{SSA}$) (continued)

Symbol	Description	Conditions ¹	Min.	Typ. ²	Max.	Unit	Notes
DNL	Differential non-linearity	<ul style="list-style-type: none"> • ≤ 13 bit modes • < 12 bit modes 		± 0.7 ± 0.2	\pm TBD ± 0.5	LSB ⁴	ADC conversion clock < 12 MHz, Max hardware averaging (AVGE = %1, AVGS = %11)
INL	Integral non-linearity	<ul style="list-style-type: none"> • ≤ 13 bit modes • < 12 bit modes 	—	± 1.0 ± 0.5	\pm TBD \pm TBD	LSB ⁴	Max averaging
E _{FS}	Full-scale error	<ul style="list-style-type: none"> • ≤ 13 bit modes • < 12 bit modes 	—	± 0.4 ± 1.0	\pm TBD \pm TBD	LSB ⁴	$V_{ADIN} = V_{DDA}$
E _Q	Quantization error	<ul style="list-style-type: none"> • 16 bit modes • ≤ 13 bit modes 	—	-1 to 0 —	— ± 0.5	LSB ⁴	
ENOB	Effective number of bits	16 bit differential mode					5
		<ul style="list-style-type: none"> • Avg=32 • Avg=1 	TBD	13.6	TBD	bits	
			TBD	13.2	TBD	bits	
		16 bit single-ended mode					
		<ul style="list-style-type: none"> • Avg=32 • Avg=1 	TBD	TBD	TBD	bits	
			TBD	TBD	TBD	bits	
SINAD	Signal-to-noise plus distortion	See ENOB	6.02 × ENOB + 1.76			dB	
THD	Total harmonic distortion	16 bit differential mode					5
		<ul style="list-style-type: none"> • Avg=32 	—	-94	TBD	dB	
		16 bit single-ended mode					
		<ul style="list-style-type: none"> • Avg=32 	—	TBD	TBD	dB	
SFDR	Spurious free dynamic range	16 bit differential mode					5
		<ul style="list-style-type: none"> • Avg=32 	TBD	95	—	dB	
		16 bit single-ended mode					
		<ul style="list-style-type: none"> • Avg=32 	TBD	TBD	—	dB	

Table continues on the next page...

Table 25. 16-bit ADC characteristics ($V_{REFH} = V_{DDA}$, $V_{REFL} = V_{SSA}$) (continued)

Symbol	Description	Conditions ¹	Min.	Typ. ²	Max.	Unit	Notes
E_{IL}	Input leakage error		$I_{in} \times R_{AS}$			mV	I_{in} = leakage current (refer to the MCU's voltage and current operating ratings)
	Temp sensor slope	<ul style="list-style-type: none"> • -40°C to 25°C • 25°C to 105°C 	—	TBD	—	mV/ $^{\circ}\text{C}$	
V_{TEMP25}	Temp sensor voltage	25°C	—	TBD	—	mV	

1. All accuracy numbers assume the ADC is calibrated with $V_{REFH} = V_{DDA}$
2. Typical values assume $V_{DDA} = 3.0\text{ V}$, Temp = 25°C , $f_{ADCK} = 2.0\text{ MHz}$ unless otherwise stated. Typical values are for reference only and are not tested in production.
3. The ADC supply current depends on the ADC conversion clock speed, conversion rate and the ADLPC bit (low power). For lowest power operation the ADLPC bit should be set, the HSC bit should be clear with 1MHz ADC conversion clock speed.
4. $1\text{ LSB} = (V_{REFH} - V_{REFL})/2^N$
5. Input data is 1 kHz sine wave.

FIGURE TBD

Figure 13. Typical TUE vs. ADC conversion rate 12-bit single-ended mode

FIGURE TBD

Figure 14. Typical ENOB vs. Averaging for 16-bit differential and 16-bit single-ended modes

6.6.1.3 16-bit ADC with PGA operating conditions

Table 26. 16-bit ADC with PGA operating conditions

Symbol	Description	Conditions	Min.	Typ. ¹	Max.	Unit	Notes
V_{DDA}	Supply voltage	Absolute	1.71	—	3.6	V	
V_{REFPGA}	PGA ref voltage		V_{REFOUT}	V_{REFOUT}	V_{REFOUT}	V	2, 3
V_{ADIN}	Input voltage		V_{SSA}	—	V_{DDA}	V	
V_{CM}	Input Common Mode range		V_{SSA}	—	V_{DDA}	V	

Table continues on the next page...

Table 26. 16-bit ADC with PGA operating conditions (continued)

Symbol	Description	Conditions	Min.	Typ. ¹	Max.	Unit	Notes
R _{PGAD}	Differential input impedance	Gain = 1, 2, 4, 8 Gain = 16, 32 Gain = 64	—	128 64 32	—	kΩ	IN+ to IN- ⁴
R _{AS}	Analog source resistance		—	100	—	Ω	5
T _S	ADC sampling time		1.25	—	—	μs	6

1. Typical values assume V_{DDA} = 3.0 V, Temp = 25°C, f_{ADCK} = 6 MHz unless otherwise stated. Typical values are for reference only and are not tested in production.
2. ADC must be configured to use the internal voltage reference (VREFOUT)
3. PGA reference connected to the VREFOUT pin. If the user wishes to drive VREFOUT with a voltage other than the output of the VREF module, the VREF module must be disabled.
4. For single ended configurations the input impedance of the driven input is 1/2.
5. The analog source resistance (R_{AS}), external to MCU, should be kept as minimum as possible. Increased R_{AS} causes drop in PGA gain without affecting other performances. This is not dependent on ADC clock frequency.
6. The minimum sampling time is dependent on input signal frequency and ADC mode of operation. A minimum of 1.25μs time should be allowed for F_{in}=4 kHz at 16-bit differential mode. Recommended ADC setting is: ADLSMP=1, ADLSTS=2 at 8 MHz ADC clock.

6.6.1.4 16-bit ADC with PGA characteristics

Table 27. 16-bit ADC with PGA characteristics

Symbol	Description	Conditions	Min.	Typ. ¹	Max.	Unit	Notes
I _{DDA_PGA}	Supply current		—	590	TBD	μA	
I _{DC_PGA}	Input DC current		$\frac{2}{R_{PGAD}} \left(\frac{(V_{REFPGA} \times 0.583) - V_{CM}}{(Gain+1)} \right)$			A	2
I _{ILKG}	Input Leakage current	PGA disabled	—	TBD	TBD	μA	3
G	Gain ⁴	<ul style="list-style-type: none"> • PGAG=0 • PGAG=1 • PGAG=2 • PGAG=3 • PGAG=4 • PGAG=5 • PGAG=6 	TBD	0.98	TBD		R _{AS} < 100Ω
BW	Input signal bandwidth	<ul style="list-style-type: none"> • 16-bit modes • < 16-bit modes 	—	—	4	kHz	
PSRR	Power supply rejection ration	Gain=1	TBD	TBD	—	dB	V _{DDA} = 3V ±100mV, f _{VDDA} = 50Hz, 60Hz

Table continues on the next page...

Table 27. 16-bit ADC with PGA characteristics (continued)

Symbol	Description	Conditions	Min.	Typ. ¹	Max.	Unit	Notes
CMRR	Common mode rejection ratio	<ul style="list-style-type: none"> Gain=1 Gain=64 	TBD	TBD	—	dB	V _{CM} = 500mVpp, f _{VCM} = 50Hz, 100Hz
			TBD	TBD	—	dB	
V _{OFS}	Input offset voltage		—	0.2	TBD	mV	Gain=1, ADC Averaging=32
T _{GSW}	Gain switching settling time		—	—	10	μs	5
dG/dT	Gain drift over temperature	<ul style="list-style-type: none"> Gain=1 Gain=64 	—	TBD	TBD	ppm/°C	0 to 50°C
			—	TBD	TBD	ppm/°C	
dV _{OFS} /dT	Offset drift over temperature	Gain=1	—	TBD	TBD	ppm/°C	0 to 50°C, ADC Averaging=32
dG/dV _{DDA}	Gain drift over supply voltage	<ul style="list-style-type: none"> Gain=1 Gain=64 	—	TBD	TBD	%/V	V _{DDA} from 1.71 to 3.6V
			—	TBD	TBD	%/V	
E _{IL}	Input leakage error	All modes	I _{in} × R _{AS}			mV	I _{in} = leakage current (refer to the MCU's voltage and current operating ratings)
V _{PP,DIFF}	Maximum differential input signal swing		$\left(\frac{(\min(V_X, V_{DDA} - V_X) - 0.2) \times 4}{\text{Gain}} \right)$			V	6
			where V _X = V _{REFPGA} × 0.583				
SNR	Signal-to-noise ratio	<ul style="list-style-type: none"> Gain=1 Gain=64 	TBD	83.0	—	dB	16-bit differential mode, Average=32
			TBD	57.5	—	dB	
THD	Total harmonic distortion	<ul style="list-style-type: none"> Gain=1 Gain=64 	TBD	89.4	—	dB	16-bit differential mode, Average=32, f _{in} =500Hz
			TBD	90.0	—	dB	
SFDR	Spurious free dynamic range	<ul style="list-style-type: none"> Gain=1 Gain=64 	TBD	90.9	—	dB	16-bit differential mode, Average=32, f _{in} =500Hz
			TBD	77.0	—	dB	

Table continues on the next page...

Table 27. 16-bit ADC with PGA characteristics (continued)

Symbol	Description	Conditions	Min.	Typ. ¹	Max.	Unit	Notes
ENOB	Effective number of bits	• Gain=1, Average=4	TBD	12.3	—	bits	16-bit differential mode, $f_{in}=500\text{Hz}$
		• Gain=1, Average=8	TBD	12.7	—	bits	
		• Gain=64, Average=4	TBD	8.4	—	bits	
		• Gain=64, Average=8	TBD	8.7	—	bits	
		• Gain=1, Average=32	TBD	13.3	—	bits	
		• Gain=2, Average=32	TBD	13.1	—	bits	
		• Gain=4, Average=32	TBD	12.5	—	bits	
		• Gain=8, Average=32	TBD	11.8	—	bits	
		• Gain=16, Average=32	TBD	11.1	—	bits	
		• Gain=32, Average=32	TBD	10.2	—	bits	
		• Gain=64, Average=32	TBD	9.3	—	bits	
SINAD	Signal-to-noise plus distortion ratio	See ENOB	6.02 × ENOB + 1.76			dB	

1. Typical values assume $V_{DDA}=3.0\text{V}$, $\text{Temp}=25^{\circ}\text{C}$, $f_{ADCK}=6\text{MHz}$ unless otherwise stated.
2. Between IN+ and IN-. The PGA draws a DC current from the input terminals. The magnitude of the DC current is a strong function of input common mode voltage (V_{CM}) and the PGA gain.
3. This is the input leakage current of the module in addition to the PAD leakage current.
4. $\text{Gain} = 2^{\text{PGAG}}$
5. When the PGA gain is changed, it takes some time to settle the output for the ADC to work properly. During a gain switching, a few ADC outputs should be discarded (minimum two data samples, may be more depending on ADC sampling rate and time of the switching).
6. Limit the input signal swing so that the PGA does not saturate during operation. Input signal swing is dependent on the PGA reference voltage and gain setting.

6.6.2 CMP and 6-bit DAC electrical specifications

Table 28. Comparator and 6-bit DAC electrical specifications

Symbol	Description	Min.	Typ.	Max.	Unit
V_{DD}	Supply voltage	1.71	—	3.6	V
I_{DDHS}	Supply current, High-speed mode (EN=1, PMODE=1)	—	—	200	μA
$I_{DDL S}$	Supply current, low-speed mode (EN=1, PMODE=0)	—	—	20	μA
V_{AIN}	Analog input voltage	$V_{SS} - 0.3$	—	V_{DD}	V
V_{AIO}	Analog input offset voltage	—	—	20	mV

Table continues on the next page...

Table 28. Comparator and 6-bit DAC electrical specifications (continued)

Symbol	Description	Min.	Typ.	Max.	Unit
V_H	Analog comparator hysteresis ¹				
	• CR0[HYSTCTR] = 00	—	5	—	mV
	• CR0[HYSTCTR] = 01	—	10	—	mV
	• CR0[HYSTCTR] = 10	—	20	—	mV
	• CR0[HYSTCTR] = 11	—	30	—	mV
V_{CMPOH}	Output high	$V_{DD} - 0.5$	—	—	V
V_{CMPOI}	Output low	—	—	0.5	V
t_{DHS}	Propagation delay, high-speed mode (EN=1, PMODE=1)	20	50	200	ns
t_{DLS}	Propagation delay, low-speed mode (EN=1, PMODE=0)	120	250	600	ns
	Analog comparator initialization delay ²	—	—	TBD	ns
I_{DAC6b}	6-bit DAC current adder (enabled)	—	7	—	μ A
INL	6-bit DAC integral non-linearity	-0.5	—	0.5	LSB ³
DNL	6-bit DAC differential non-linearity	-0.3	—	0.3	LSB

1. Typical hysteresis is measured with input voltage range limited to 0.6 to $V_{DD}-0.6V$.
2. Comparator initialization delay is defined as the time between software writes to change control inputs (Writes to DACEN, VRSEL, PSEL, MSEL, VOSEL) and the comparator output settling to a stable level.
3. 1 LSB = $V_{reference}/64$

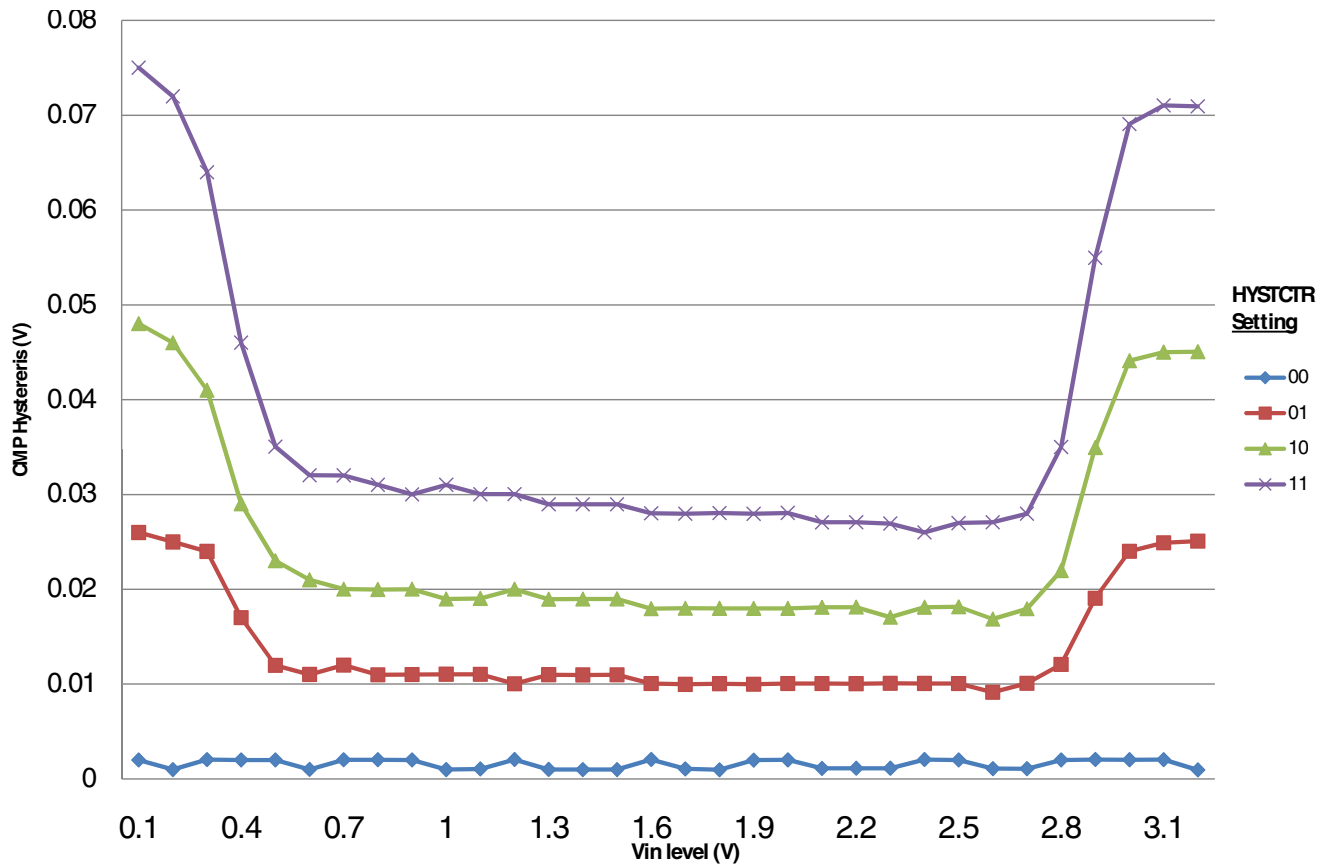


Figure 15. Typical hysteresis vs. Vin level (VDD=3.3V, PMODE=0)

Peripheral operating requirements and behaviors

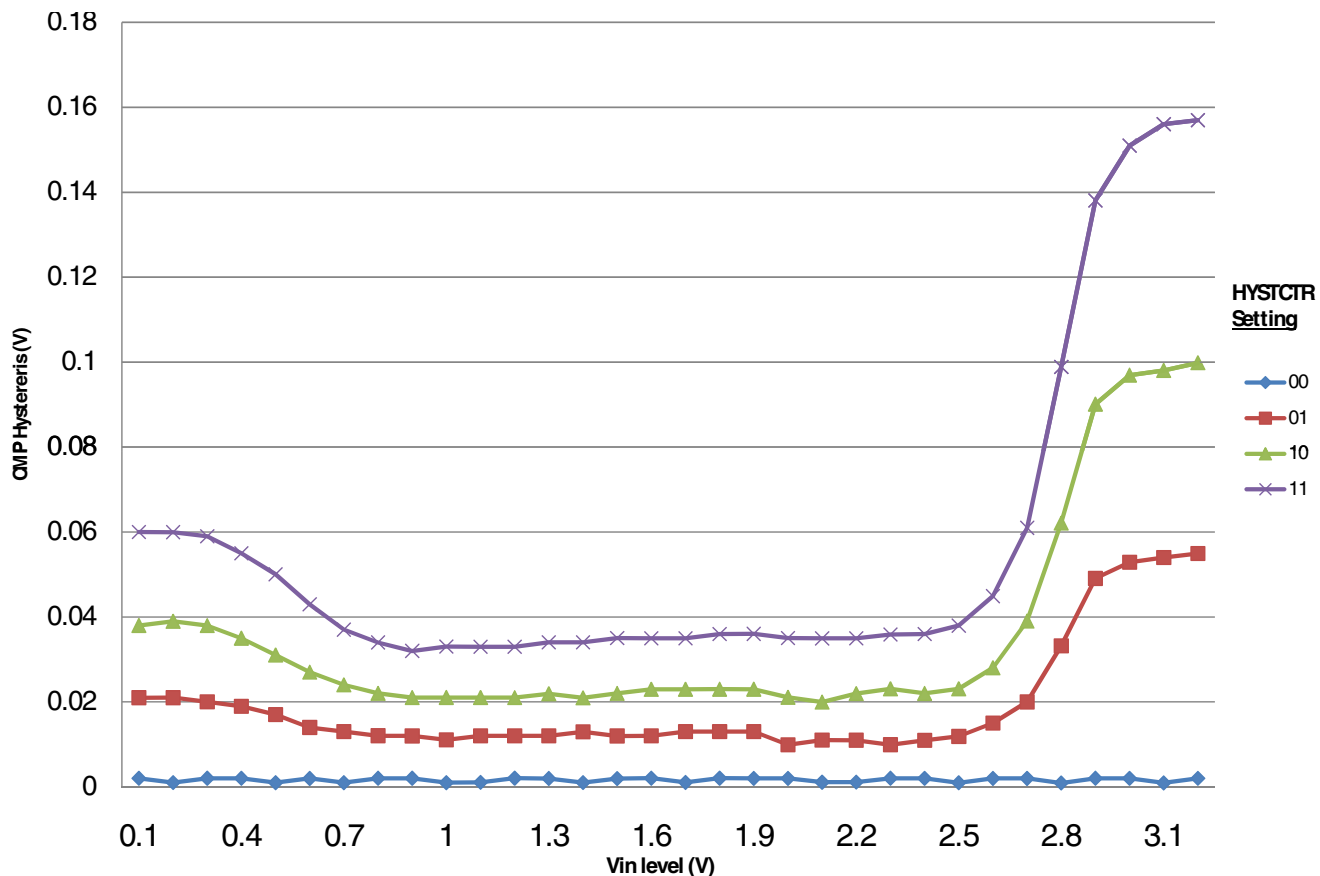


Figure 16. Typical hysteresis vs. Vin level (VDD=3.3V, PMODE=1)

6.6.3 12-bit DAC electrical characteristics

6.6.3.1 12-bit DAC operating requirements

Table 29. 12-bit DAC operating requirements

Symbol	Description	Min.	Max.	Unit	Notes
V_{DDA}	Supply voltage	1.71	3.6	V	
V_{DACR}	Reference voltage	1.13	3.6	V	1
T_A	Temperature	-40	105	°C	
C_L	Output load capacitance	—	100	pF	2
I_L	Output load current	—	1	mA	

1. The DAC reference can be selected to be VDDA or the voltage output of the VREF module (VREFO)
2. A small load capacitance (47 pF) can improve the bandwidth performance of the DAC

6.6.3.2 12-bit DAC operating behaviors

Table 30. 12-bit DAC operating behaviors

Symbol	Description	Min.	Typ.	Max.	Unit	Notes
I_{DDA_DACLP}	Supply current — low-power mode	—	—	150	μA	
I_{DDA_DACHP}	Supply current — high-speed mode	—	—	700	μA	
t_{DACLP}	Full-scale settling time (0x080 to 0xF7F) — low-power mode	—	100	200	μs	1
t_{DACHP}	Full-scale settling time (0x080 to 0xF7F) — high-power mode	—	15	30	μs	1
$t_{CCDACLP}$	Code-to-code settling time (0xBF8 to 0xC08) — low-power mode	—	—	5	μs	1
$t_{CCDACHP}$	Code-to-code settling time (0xBF8 to 0xC08) — high-speed mode	1	TBD	—	μs	1
$V_{dacoutl}$	DAC output voltage range low — high-speed mode, no load, DAC set to 0x000	—	100	TBD	mV	
$V_{dacouth}$	DAC output voltage range high — high-speed mode, no load, DAC set to 0xFFFF	$V_{DACR} - 100$	—	V_{DACR}	mV	
INL	Integral non-linearity error — high speed mode	—	—	± 8	LSB	2
DNL	Differential non-linearity error — $V_{DACR} > 2\text{ V}$	—	—	± 1	LSB	3
DNL	Differential non-linearity error — $V_{DACR} = V_{REFO}$ (1.15 V)	—	—	± 1	LSB	4
V_{OFFSET}	Offset error	± 0.4	—	± 0.8	%FSR	5
E_G	Gain error	± 0.1	—	± 0.6	%FSR	5
PSRR	Power supply rejection ratio, $V_{DDA} \geq 2.4\text{ V}$	60	—	90	dB	
T_{CO}	Temperature coefficient offset voltage	—	TBD	—	$\mu\text{V}/\text{C}$	
T_{GE}	Temperature coefficient gain error	—	TBD	—	ppm of FSR/C	
A_C	Offset aging coefficient	—	—	TBD	$\mu\text{V}/\text{yr}$	
R_{op}	Output resistance load = 3 k Ω	—	—	250	Ω	
SR	Slew rate -80h → F7Fh → 80h <ul style="list-style-type: none"> High power (SP_{HP}) Low power (SP_{LP}) 	1.2 0.05	1.7 0.12	— —	V/ μs	
CT	Channel to channel cross talk	—	—	-80	dB	
BW	3dB bandwidth <ul style="list-style-type: none"> High power (SP_{HP}) Low power (SP_{LP}) 	550 40	— —	— —	kHz	

1. Settling within ± 1 LSB
2. The INL is measured for 0+100mV to $V_{DACR} - 100\text{ mV}$
3. The DNL is measured for 0+100 mV to $V_{DACR} - 100\text{ mV}$
4. The DNL is measured for 0+100mV to $V_{DACR} - 100\text{ mV}$ with $V_{DDA} > 2.4\text{V}$

Peripheral operating requirements and behaviors

5. Calculated by a best fit curve from $V_{SS}+100\text{ mV}$ to $V_{REF}-100\text{ mV}$

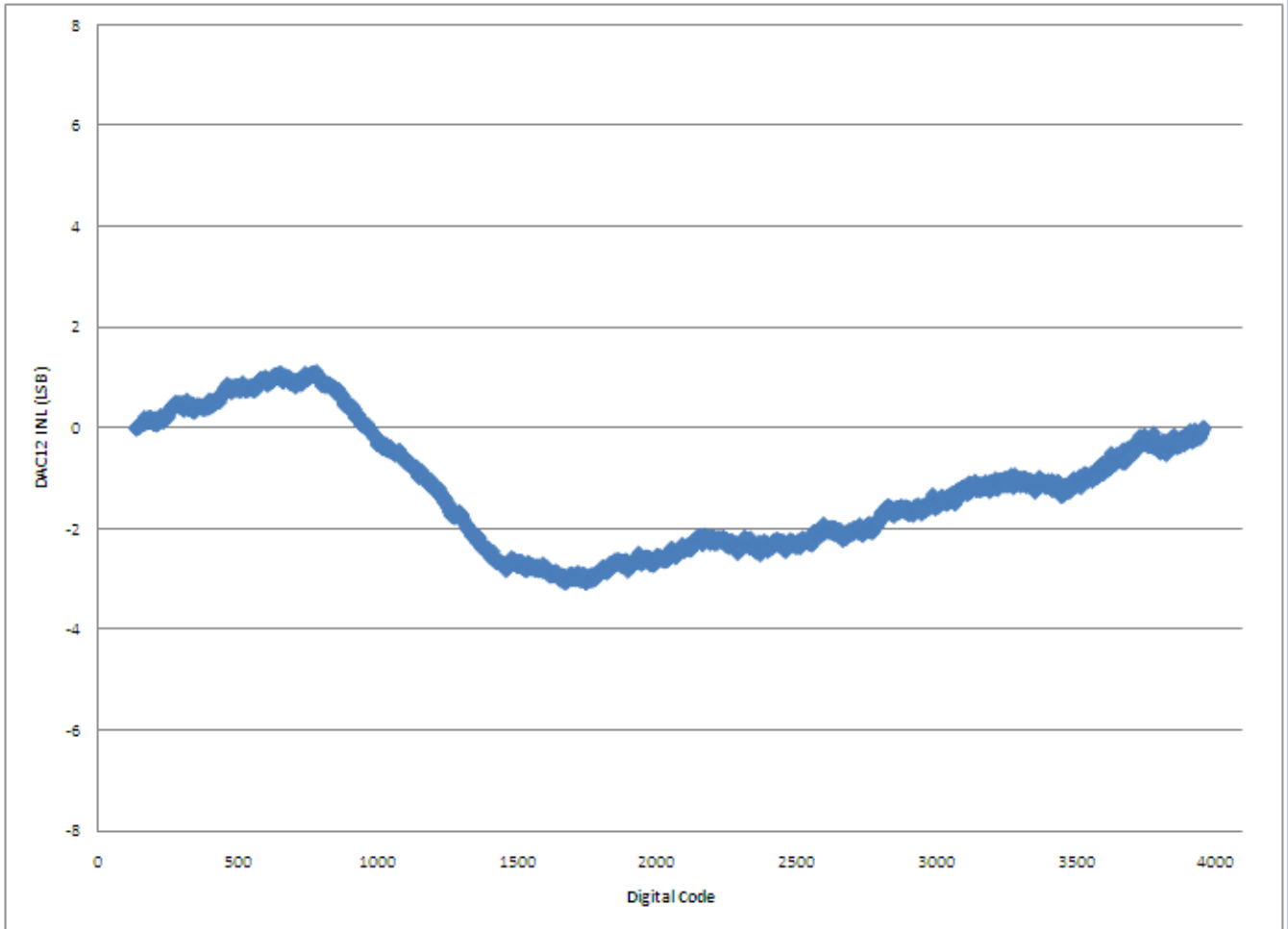


Figure 17. Typical INL error vs. digital code

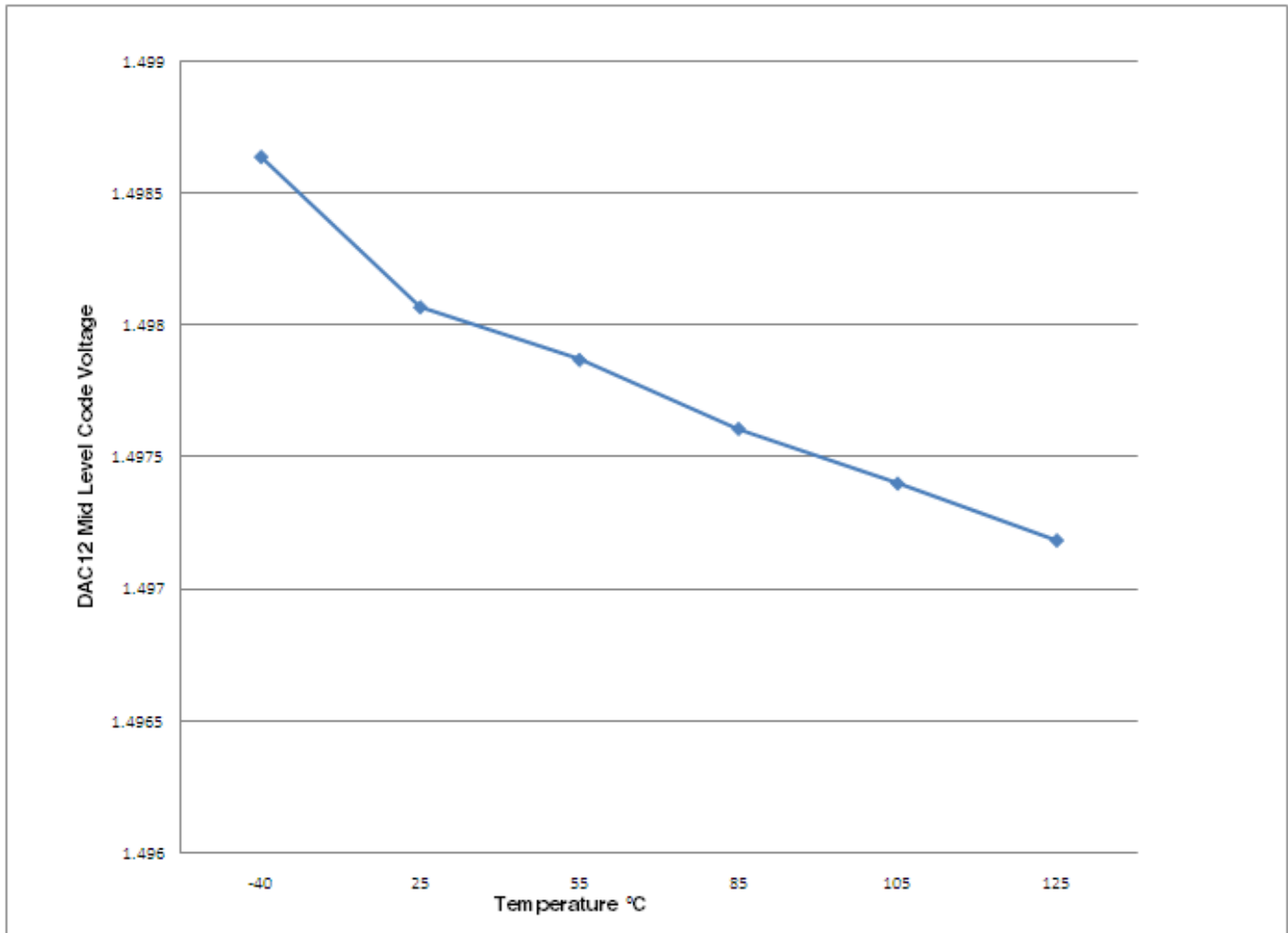


Figure 18. Offset at half scale vs. temperature

6.6.4 Op-amp electrical specifications

Table 31. Op-amp electrical specifications

Symbol	Description	Min.	Typ.	Max.	Unit
V_{DD}	Operating voltage	1.71	—	3.6	V
I_{SUPPLY}	Supply current ($I_{OUT}=0mA$, $CL=0$), low-power mode	—	70	TBD	μA
I_{SUPPLY}	Supply current ($I_{OUT}=0mA$, $CL=0$), high-speed mode	—	500	TBD	μA
V_{OS}	Input offset voltage	—	± 3	TBD	mV
α_{VOS}	Input offset voltage temperature coefficient	—	10	—	$\mu V/C$
I_{OS}	Input offset current (0~50°C)	—	± 300	—	pA
I_{OS}	Input offset current (-40~105°C)	—	TBD	—	pA
I_{BIAS}	Input bias current (0~50°C)	—	± 300	—	pA

Table continues on the next page...

Table 31. Op-amp electrical specifications (continued)

Symbol	Description	Min.	Typ.	Max.	Unit
I_{BIAS}	Input bias current (0~105°C)	—	TBD	—	pA
V_{CML}	Input common mode voltage low	0	—	—	V
V_{CMH}	Input common mode voltage high	—	—	VDD	V
R_{IN}	Input resistance	500	—	—	MΩ
C_{IN}	Input capacitance	—	—	TBD	pF
$ X_{IN} $	AC input impedance ($f_{IN}=100kHz$)	—	50	—	MΩ
CMRR	Input common mode rejection ratio	60	—	—	dB
PSRR	Power supply rejection ratio	60	—	—	dB
SR	Slew rate ($\Delta V_{IN}=100mV$), low-power mode	0.1	—	—	V/μs
SR	Slew rate ($\Delta V_{IN}=100mV$), high-speed mode	1	—	—	V/μs
GBW	Unity gain bandwidth, low-power mode	0.15	—	—	MHz
GBW	Unity gain bandwidth, high-speed mode	1	—	—	MHz
A_V	DC open-loop voltage gain	80	90	—	dB
CL(max)	Load capacitance driving capability	—	—	TBD	pF
R_{OUT}	Output resistance	—	—	TBD	Ω
V_{OUT}	Output voltage range	0.1	—	TBD	V
I_{OUT}	Output load current	—	±0.5	—	mA
GM	Gain margin	—	20	—	dB
PM	Phase margin	45	56	—	deg
T_{settle}	Settling time (Buffer mode, low-power mode) ($T_o < 0.1\%$, $V_{in}=2V_{p-p}$, $C_L=25pF$, $R_L=100k$)	—	TBD	—	μs
T_{settle}	Settling time (Buffer mode, high-speed mode) ($T_o < 0.1\%$, $V_{in}=2V_{p-p}$, $C_L=25pF$, $R_L=100k$)	—	TBD	—	μs
V_n	Voltage noise density (noise floor) 1kHz	—	350	TBD	nV/√Hz
V_n	Voltage noise density (noise floor) 10kHz	—	90	TBD	nV/√Hz

6.6.5 Transimpedance amplifier electrical specifications — full range

Table 32. TRIAMP full range operating requirements

Symbol	Description	Min.	Max.	Unit	Notes
V_{DDA}	Supply voltage	1.71	3.6	V	
V_{IN}	Input voltage range	-0.2	$V_{DDA}-1.4$	V	
C_L	Output load capacitance		100	pf	
R_{OUT}	Output resistance		1500	Ω	

Table 33. TRIAMP full range operating behaviors

Symbol	Description	Min.	Typ.	Max.	Unit	Notes
I _{SUPPLY}	Supply current (I _{OUT} =0mA, CL=0) — Low-power mode	—	60	—	μA	
I _{SUPPLY}	Supply current (I _{OUT} =0mA, CL=0) — High-speed mode	—	280	—	μA	
V _{OS}	Input offset voltage	—	±3	TBD	mV	
α _{VOS}	Input offset voltage temperature coefficient	—	10	TBD	μV/C	
I _{OS}	Input offset current	—	±200	TBD	pA	
I _{BIAS}	Input bias current	—	±300	TBD	pA	
R _{IN}	Input resistance	500	—	—	MΩ	
C _{IN}	Input capacitance	—	17	—	pF	
X _{IN}	AC input impedance (f _{IN} =100kHz)	—	TBD	—	MΩ	
CMRR	Input common mode rejection ratio	60	—	—	dB	
PSRR	Power supply rejection ratio	60	—	—	dB	
SR	Slew rate (ΔV _{IN} =100mV) — Low-power mode	0.1	—	—	V/μs	
SR	Slew rate (ΔV _{IN} =100mV) — High speed mode	1	—	—	V/μs	
GBW	Unity gain bandwidth — Low-power mode 50pF	0.15	—	—	MHz	
GBW	Unity gain bandwidth — High speed mode 50pF	1	—	—	MHz	
A _V	DC open-loop voltage gain	80	—	—	dB	
V _{OUT}	Output voltage range	0.15	—	V _{DD} -0.15	V	
I _{OUT}	Output load current	—	±0.5	—	mA	
GM	Gain margin	—	20	—	dB	
PM	Phase margin	50	60	—	deg	
V _n	Voltage noise density (noise floor) 1kHz	—	280	—	nV/√Hz	
V _n	Voltage noise density (noise floor) 10kHz	—	100	—	nV/√Hz	

Figure 19. Typical Open Loop Gain vs. Frequency [TBD]**Figure 20. Typical Phase vs. Frequency [TBD]**

6.6.6 Transimpedance amplifier electrical specifications — limited range

Table 34. TRIAMP limited range operating requirements

Symbol	Description	Min.	Max.	Unit	Notes
V _{DDA}	Supply voltage	2.4	3.3	V	
V _{IN}	Input voltage range	0.1	V _{DDA} -1.4	V	
T _A	Temperature	0	50	C	
C _L	Output load capacitance		100	pf	
R _{OUT}	Output resistance		1500	Ω	

Table 35. TRIAMP limited range operating behaviors

Symbol	Description	Min.	Typ.	Max.	Unit	Notes
V _{OS}	Input offset voltage	—	±3	TBD	mV	
α _{VOS}	Input offset voltage temperature coefficient	—	4	TBD	μV/C	
I _{OS}	Input offset current	—	±300	TBD	pA	
I _{BIAS}	Input bias current	—	±300	TBD	pA	
X _{IN}	AC input impedance (f _{IN} =100kHz)	500	—	—	MΩ	
CMRR	Input common mode rejection ratio	—	70	—	dB	
PSRR	Power supply rejection ratio	—	70	—	dB	
SR	Slew rate (ΔV _{IN} =100mV) — Low-power mode	0.1	—	—	V/μs	
SR	Slew rate (ΔV _{IN} =100mV) — High speed mode	1	—	—	V/μs	
GBW	Unity gain bandwidth — Low-power mode 50pF	0.15	—	—	MHz	
GBW	Unity gain bandwidth — High speed mode 50pF	1	—	—	MHz	
A _V	DC open-loop voltage gain	80	—	—	dB	
GM	Gain margin	30	—	—	dB	
PM	Phase margin	60	69	—	deg	

6.6.7 Voltage reference electrical specifications

Table 36. VREF full-range operating requirements

Symbol	Description	Min.	Max.	Unit	Notes
V _{DDA}	Supply voltage	1.71	3.6	V	
T _A	Temperature	-40	105	°C	
C _L	Output load capacitance	—	100	nF	

Table 37. VREF full-range operating behaviors

Symbol	Description	Min.	Typ.	Max.	Unit	Notes
V_{out}	Voltage reference output with factory trim at nominal V_{DDA} and temperature=25C	TBD	1.2	TBD	V	
V_{out}	Voltage reference output with factory trim	TBD	—	TBD	V	
V_{out}	Voltage reference output user trim	1.198	—	1.202	V	
V_{step}	Voltage reference trim step	—	0.5	—	mV	
V_{drift}	Temperature drift ($V_{max} - V_{min}$ across the full temperature range)	—	—	20	mV	See Figure 21
A_c	Aging coefficient	—	—	TBD	ppm/year	
I_{bg}	Bandgap only (MODE_LV = 00) current	—	—	TBD	μ A	
I_{tr}	Tight-regulation buffer (MODE_LV = 10) current	—	—	1.1	mA	
	Load regulation (MODE_LV = 10) current = ± 1.0 mA	—	—	TBD	V	
T_{stup}	Buffer startup time	—	—	100	μ s	
DC	Line regulation (power supply rejection)	—	—	TBD	mV	
		-60	—	TBD	dB	

Table 38. VREF limited-range operating requirements

Symbol	Description	Min.	Max.	Unit	Notes
T_A	Temperature	0	50	$^{\circ}$ C	

Table 39. VREF limited-range operating behaviors

Symbol	Description	Min.	Max.	Unit	Notes
V_{out}	Voltage reference output with factory trim	TBD	TBD	V	

TBD

Figure 21. Typical output vs. temperature

TBD

Figure 22. Typical output vs. VDD

6.7 Timers

See [General switching specifications](#).

6.8 Communication interfaces

6.8.1 USB electrical specifications

The USB electricals for the USB On-the-Go module conform to the standards documented by the Universal Serial Bus Implementers Forum. For the most up-to-date standards, visit <http://www.usb.org>.

6.8.2 USB DCD electrical specifications

Table 40. USB DCD electrical specifications

Symbol	Description	Min.	Typ.	Max.	Unit
V _{DP_SRC}	USB_DP source voltage (up to 250 μ A)	TBD	TBD	TBD	V
V _{LGC}	Threshold voltage for logic high	0.8	—	2.0	V
I _{DP_SRC}	USB_DP source current	7	10	13	μ A
I _{DM_SINK}	USB_DM sink current	50	100	150	μ A
R _{DM_DWN}	D- pulldown resistance for data pin contact detect	14.25	—	24.8	k Ω
V _{DAT_REF}	Data detect voltage	0.25	TBD	0.4	V

6.8.3 USB VREG electrical specifications

Table 41. USB VREG electrical specifications

Symbol	Description	Min.	Typ.	Max.	Unit	Notes
VREGIN	Input supply voltage	2.7	—	5.5	V	
I _{DDon}	Quiescent current — Run mode, load current equal zero, input supply (VREGIN) > 3.6 V	—	120	TBD	μ A	
I _{DDstby}	Quiescent current — Standby mode, load current equal zero	—	1	TBD	μ A	
I _{DDoff}	Quiescent current — Shutdown mode	—	500	—	nA	
		—	—	TBD	μ A	
I _{LOADrun}	Maximum load current — Run mode	—	—	120	mA	
I _{LOADstby}	Maximum load current — Standby mode	—	—	1	mA	

Table continues on the next page...

**Table 41. USB VREG electrical specifications
(continued)**

Symbol	Description	Min.	Typ.	Max.	Unit	Notes
V_{Reg33out}	Regulator output voltage — Input supply (VREGIN) > 3.6 V <ul style="list-style-type: none"> • Run mode • Standby mode 	3	3.3	3.6	V	
		2.5	2.8	3.6	V	
V_{Reg33out}	Regulator output voltage — Input supply (VREGIN) < 3.6 V, pass-through mode	2.3	—	3.6	V	1
C_{OUT}	External output capacitor	1.76	2.2	8.16	μF	
ESR	External output capacitor equivalent series resistance	1	—	100	$\text{m}\Omega$	
I_{LIM}	Current limitation threshold	185	290	395	mA	

1. Operating in pass-through mode: regulator output voltage equal to the input voltage minus a drop proportional to I_{Load} .

6.8.4 DSPI switching specifications (low-speed mode)

The DMA Serial Peripheral Interface (DSPI) provides a synchronous serial bus with master and slave operations. Many of the transfer attributes are programmable. The tables below provides DSPI timing characteristics for classic SPI timing modes. Refer to the DSPI chapter of the Reference Manual for information on the modified transfer formats used for communicating with slower peripheral devices.

Table 42. Master mode DSPI timing (low-speed mode)

Num	Description	Min.	Max.	Unit	Notes
	Operating voltage	1.71	3.6	V	1
	Frequency of operation	—	12.5	MHz	
DS1	DSPI_SCK output cycle time	$4 \times t_{\text{BCLK}}$	—	ns	
DS2	DSPI_SCK output high/low time	$(t_{\text{SCK}/2}) - 4$	$(t_{\text{SCK}/2}) + 4$	ns	
DS3	DSPI_PCS n to DSPI_SCK output valid	$(t_{\text{SCK}/2}) - 4$	—	ns	
DS4	DSPI_SCK to DSPI_PCS n output hold	$(t_{\text{SCK}/2}) - 4$	—	ns	
DS5	DSPI_SCK to DSPI_SOUT valid	—	10	ns	
DS6	DSPI_SCK to DSPI_SOUT invalid	-2	—	ns	
DS7	DSPI_SIN to DSPI_SCK input setup	15	—	ns	
DS8	DSPI_SCK to DSPI_SIN input hold	0	—	ns	

1. The DSPI module can operate across the entire operating voltage for the processor, but to run across the full voltage range the maximum frequency of operation is reduced.

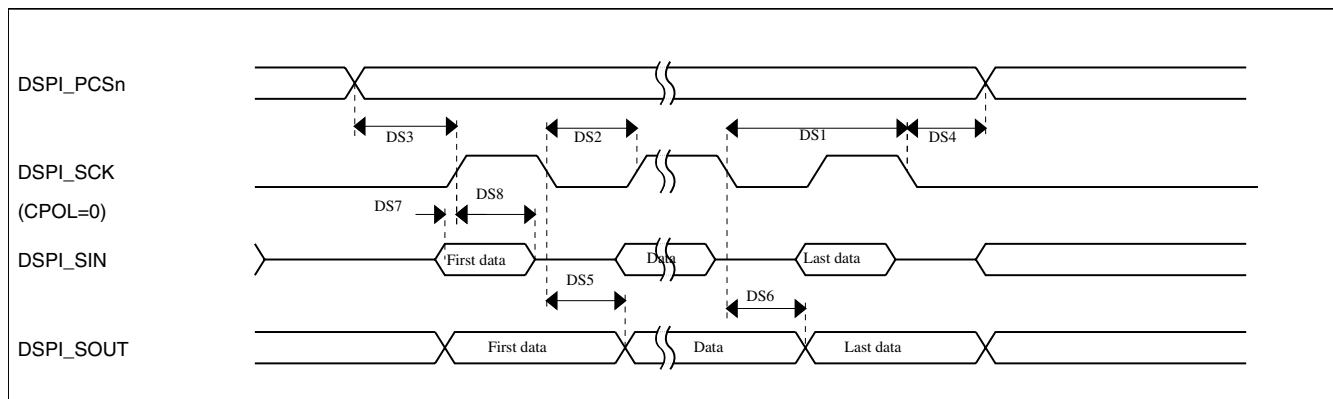


Figure 23. DSPI classic SPI timing — master mode

Table 43. Slave mode DSPI timing (low-speed mode)

Num	Description	Min.	Max.	Unit
	Operating voltage	1.71	3.6	V
	Frequency of operation	—	6.25	MHz
DS9	DSPI_SCK input cycle time	$8 \times t_{BCLK}$	—	ns
DS10	DSPI_SCK input high/low time	$(t_{SCK}/2) - 4$	$(t_{SCK}/2) + 4$	ns
DS11	DSPI_SCK to DSPI_SOUT valid	—	20	ns
DS12	DSPI_SCK to DSPI_SOUT invalid	0	—	ns
DS13	DSPI_SIN to DSPI_SCK input setup	5	—	ns
DS14	DSPI_SCK to DSPI_SIN input hold	15	—	ns
DS15	$\overline{DSPI_SS}$ active to DSPI_SOUT driven	—	15	ns
DS16	$\overline{DSPI_SS}$ inactive to DSPI_SOUT not driven	—	15	ns

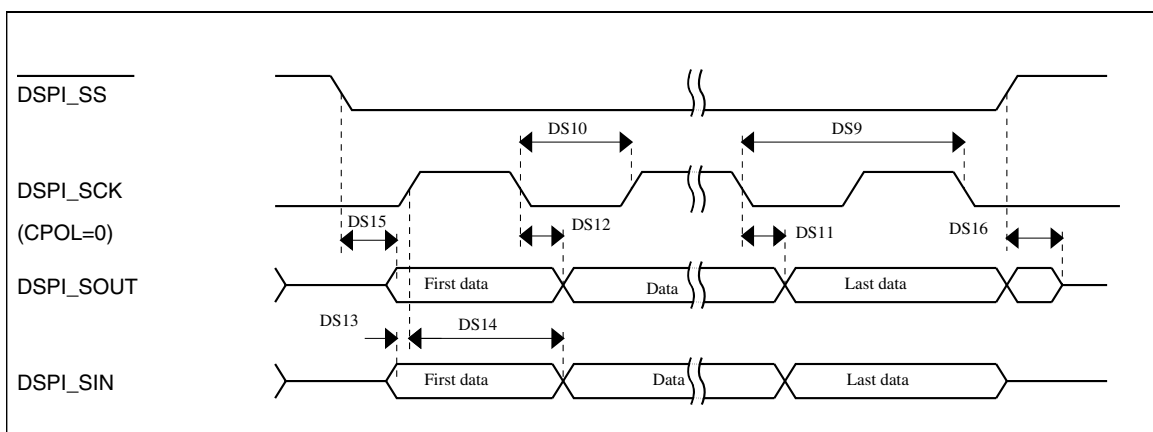


Figure 24. DSPI classic SPI timing — slave mode

6.8.5 DSPI switching specifications (high-speed mode)

The DMA Serial Peripheral Interface (DSPI) provides a synchronous serial bus with master and slave operations. Many of the transfer attributes are programmable. The tables below provide DSPI timing characteristics for classic SPI timing modes. Refer to the DSPI chapter of the Reference Manual for information on the modified transfer formats used for communicating with slower peripheral devices.

Table 44. Master mode DSPI timing (high-speed mode)

Num	Description	Min.	Max.	Unit
	Operating voltage	2.7	3.6	V
	Frequency of operation	—	25	MHz
DS1	DSPI_SCK output cycle time	$2 \times t_{BCLK}$	—	ns
DS2	DSPI_SCK output high/low time	$(t_{SCK}/2) - 2$	$(t_{SCK}/2) + 2$	ns
DS3	DSPI_PCSn to DSPI_SCK output valid	$(t_{SCK}/2) - 2$	—	ns
DS4	DSPI_SCK to DSPI_PCSn output hold	$(t_{SCK}/2) - 2$	—	ns
DS5	DSPI_SCK to DSPI_SOUT valid	—	8.5	ns
DS6	DSPI_SCK to DSPI_SOUT invalid	-2	—	ns
DS7	DSPI_SIN to DSPI_SCK input setup	TBD	—	ns
DS8	DSPI_SCK to DSPI_SIN input hold	0	—	ns

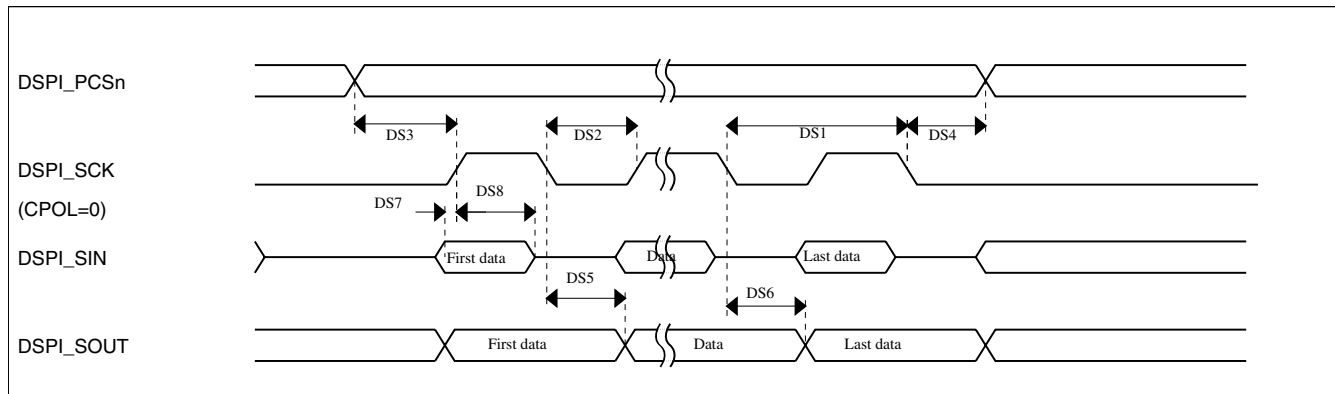


Figure 25. DSPI classic SPI timing — master mode

Table 45. Slave mode DSPI timing (high-speed mode)

Num	Description	Min.	Max.	Unit
	Operating voltage	2.7	3.6	V
	Frequency of operation		12.5	MHz
DS9	DSPI_SCK input cycle time	$4 \times t_{BCLK}$	—	ns
DS10	DSPI_SCK input high/low time	$(t_{SCK}/2) - 2$	$(t_{SCK}/2) + 2$	ns

Table continues on the next page...

Table 45. Slave mode DSPI timing (high-speed mode) (continued)

Num	Description	Min.	Max.	Unit
DS11	DSPI_SCK to DSPI_SOUT valid	—	TBD	ns
DS12	DSPI_SCK to DSPI_SOUT invalid	0	—	ns
DS13	DSPI_SIN to DSPI_SCK input setup	2	—	ns
DS14	DSPI_SCK to DSPI_SIN input hold	7	—	ns
DS15	$\overline{\text{DSPI_SS}}$ active to DSPI_SOUT driven	—	14	ns
DS16	$\overline{\text{DSPI_SS}}$ inactive to DSPI_SOUT not driven	—	14	ns

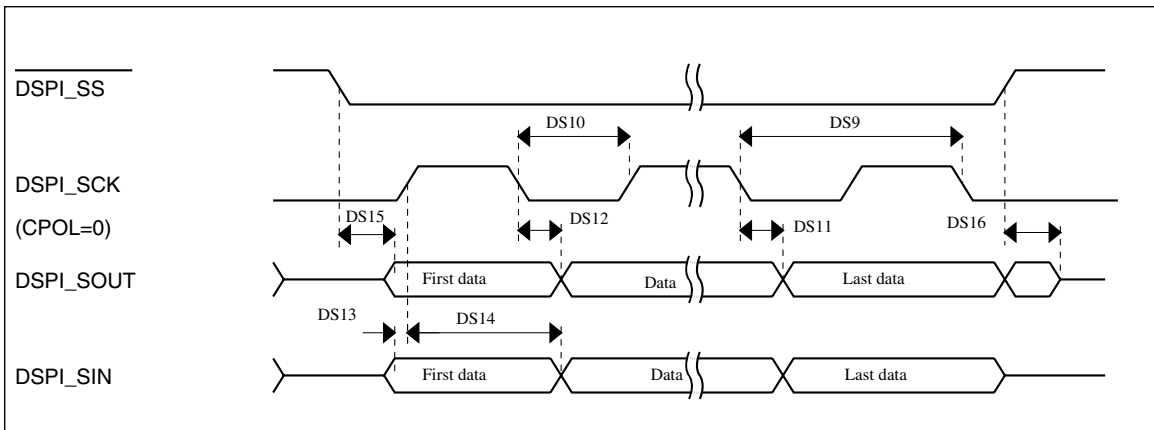


Figure 26. DSPI classic SPI timing — slave mode

6.8.6 I²C switching specifications

See [General switching specifications](#).

6.8.7 UART switching specifications

See [General switching specifications](#).

6.8.8 SDHC specifications

The following timing specs are defined at the chip I/O pin and must be translated appropriately to arrive at timing specs/constraints for the physical interface.

Table 46. SDHC switching specifications

Num	Symbol	Description	Min.	Max.	Unit
		Operating voltage	2.7	3.6	V
Card input clock					
SD1	f _{pp}	Clock frequency (low speed)	0	400	kHz
	f _{pp}	Clock frequency (SD\SDIO full speed)	0	25	MHz
	f _{pp}	Clock frequency (MMC full speed)	0	20	MHz
	f _{OD}	Clock frequency (identification mode)	0	400	kHz
SD2	t _{WL}	Clock low time	7	—	ns
SD3	t _{WH}	Clock high time	7	—	ns
SD4	t _{TLH}	Clock rise time	—	3	ns
SD5	t _{THL}	Clock fall time	—	3	ns
SDHC output / card inputs SDHC_CMD, SDHC_DAT (reference to SDHC_CLK)					
SD6	t _{OD}	SDHC output delay (output valid)	-5	6.5	ns
SDHC input / card inputs SDHC_CMD, SDHC_DAT (reference to SDHC_CLK)					
SD7	t _{THL}	SDHC input setup time	5	—	ns
SD8	t _{THL}	SDHC input hold time	0	—	ns

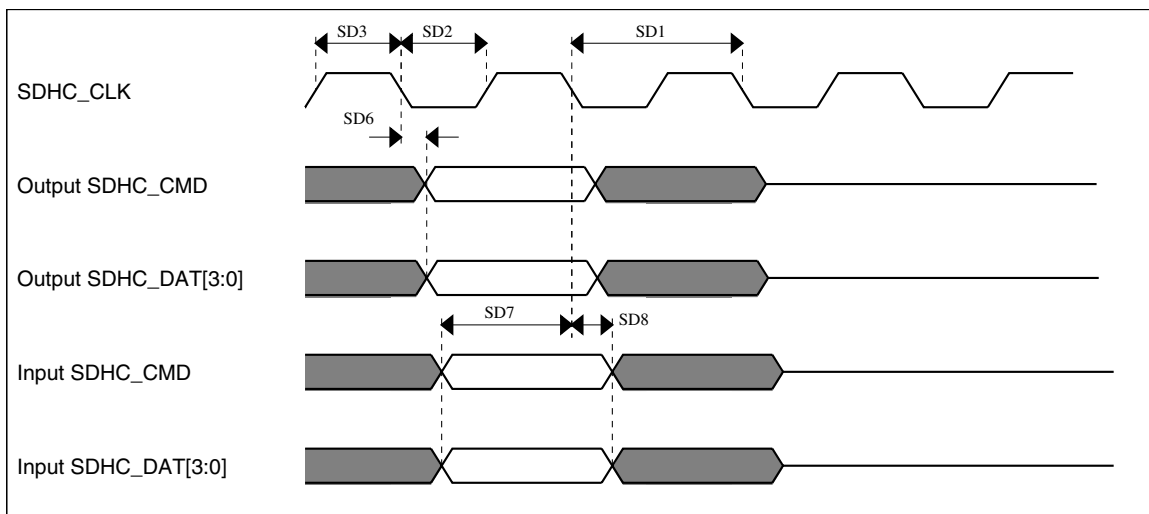


Figure 27. SDHC timing

6.8.9 I²S switching specifications

This section provides the AC timings for the I²S in master (clocks driven) and slave modes (clocks input). All timings are given for non-inverted serial clock polarity (TCR[TSCKP] = 0, RCR[RSCKP] = 0) and a non-inverted frame sync (TCR[TFSI] = 0, RCR[RFSI] = 0). If the polarity of the clock and/or the frame sync have been inverted, all the timings remain valid by inverting the clock signal (I2S_BCLK) and/or the frame sync (I2S_FS) shown in the figures below.

Table 47. I²S master mode timing

Num	Description	Min.	Max.	Unit
	Operating voltage	2.7	3.6	V
S1	I2S_MCLK cycle time	2 x t _{SYS}		ns
S2	I2S_MCLK pulse width high/low	45%	55%	MCLK period
S3	I2S_BCLK cycle time	5 x t _{SYS}	—	ns
S4	I2S_BCLK pulse width high/low	45%	55%	BCLK period
S5	I2S_BCLK to I2S_FS output valid	—	15	ns
S6	I2S_BCLK to I2S_FS output invalid	-2.5	—	ns
S7	I2S_BCLK to I2S_TXD valid	—	15	ns
S8	I2S_BCLK to I2S_TXD invalid	-3	—	ns
S9	I2S_RXD/I2S_FS input setup before I2S_BCLK	20	—	ns
S10	I2S_RXD/I2S_FS input hold after I2S_BCLK	0	—	ns

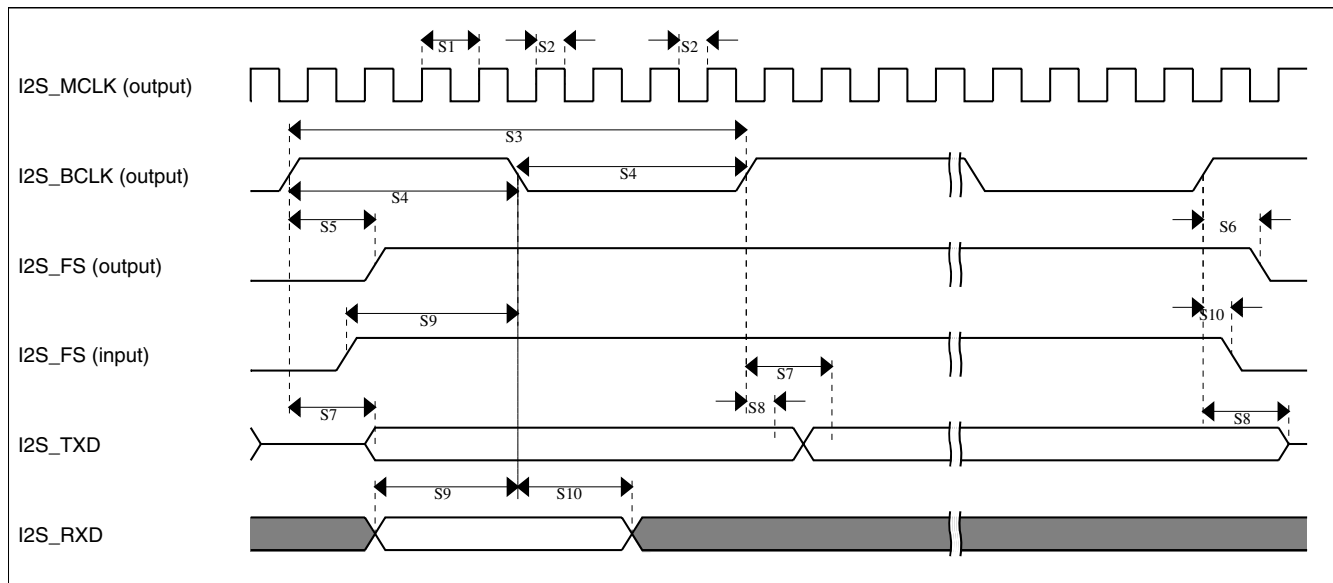
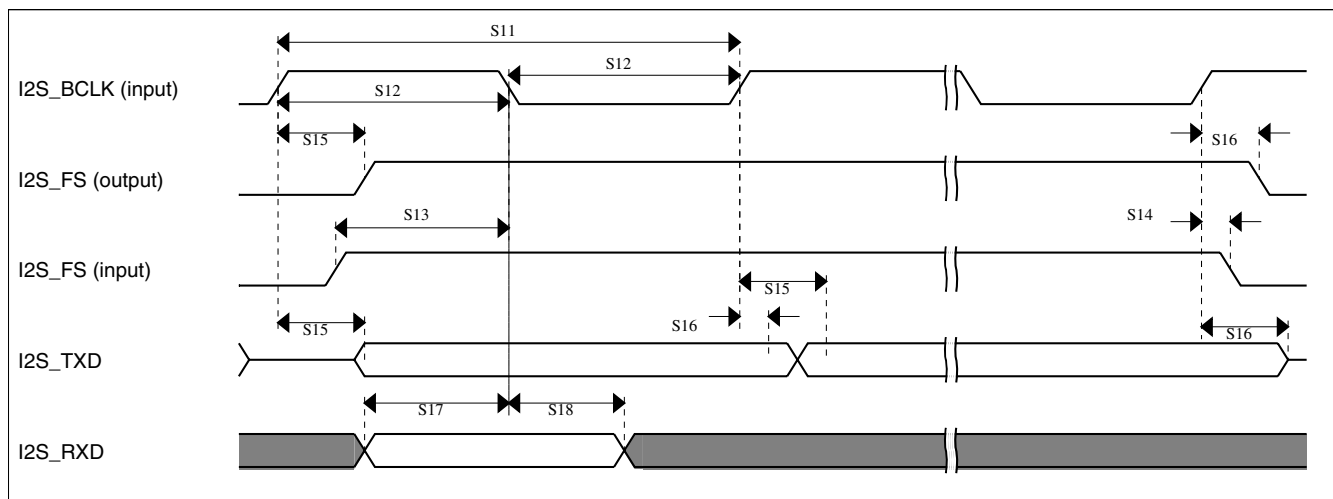


Figure 28. I²S timing — master mode

Table 48. I²S slave mode timing

Num	Description	Min.	Max.	Unit
	Operating voltage	2.7	3.6	V
S11	I2S_BCLK cycle time (input)	8 x t _{sys}	—	ns
S12	I2S_BCLK pulse width high/low (input)	45%	55%	MCLK period
S13	I2S_FS input setup before I2S_BCLK	10	—	ns
S14	I2S_FS input hold after I2S_BCLK	3	—	ns
S15	I2S_BCLK to I2S_TXD/I2S_FS output valid	—	20	ns
S16	I2S_BCLK to I2S_TXD/I2S_FS output invalid	0	—	ns
S17	I2S_RXD setup before I2S_BCLK	10	—	ns
S18	I2S_RXD hold after I2S_BCLK	2	—	ns

**Figure 29. I²S timing — slave modes**

6.9 Human-machine interfaces (HMI)

6.9.1 TSI electrical specifications

Table 49. TSI electrical specifications

Symbol	Description	Min.	Typ.	Max.	Unit	Notes
V _{DDTSI}	Operating voltage	1.71	—	3.6	V	
C _{ELE}	Target electrode capacitance range	1	20	500	pF	1
f _{REFmax}	Reference oscillator frequency	—	5.5	TBD	MHz	
f _{ELEmax}	Electrode oscillator frequency	—	0.5	TBD	MHz	

Table continues on the next page...

Table 49. TSI electrical specifications (continued)

Symbol	Description	Min.	Typ.	Max.	Unit	Notes
C _{REF}	Internal reference capacitor	TBD	1	TBD	pF	
V _{DELTA}	Oscillator delta voltage	TBD	600	TBD	mV	
I _{REF}	Reference oscillator current source base current	TBD	1	TBD	μA	2
I _{ELE}	Electrode oscillator current source base current	TBD	1	TBD	μA	2
Pres5	Electrode capacitance measurement precision	—	TBD	TBD	%	3
Pres20	Electrode capacitance measurement precision	—	TBD	TBD	%	4
Pres100	Electrode capacitance measurement precision	—	TBD	TBD	%	5
MaxSens20	Maximum sensitivity @ 20 pF electrode	0.003	0.25	—	fF/count	6
MaxSens	Maximum sensitivity	0.003	—	—	fF/count	7
Res	Resolution	—	—	16	bits	
T _{Con20}	Response time @ 20 pF	8	15	25	μs	8
I _{TSI_RUN}	Current added in run mode	—	TBD	—	μA	
I _{TSI_LP}	Low power mode current adder	—	1	TBD	μA	

1. The TSI module is functional with capacitance values outside this range. However, optimal performance is not guaranteed.
2. The programmable current source value is generated by multiplying the SCANC[REFCHRG] value and the base current.
3. Measured with a 5 pF electrode, reference oscillator frequency of 10 MHz, PS = 128, NSCN = 8; lext = 16.
4. Measured with a 20 pF electrode, reference oscillator frequency of 10 MHz, PS = 128, NSCN = 2; lext = 16.
5. Measured with a 20 pF electrode, reference oscillator frequency of 10 MHz, PS = 16, NSCN = 3; lext = 16.
6. Measured with a 20 pF electrode, reference oscillator frequency of ~5 MHz (I_{REF} = 5 μA, REFCHRG = 4), PS = 128, NSCN = 2; lext = 16 (EXTCHRG = 15).
7. Typical value depends on the configuration used.
8. Time to do one complete measurement of the electrode. Sensitivity resolution of 0.0133 pF, PS = 0, NSCN = 0, 1 electrode, DELVOL = 2, EXTCHRG = 15.

6.9.2 LCD electrical characteristics

Table 50. LCD electricals

Symbol	Description	Min.	Typ.	Max.	Unit	Notes
f _{Frame}	LCD frame frequency	28	30	58	Hz	
C _{LCD}	LCD charge pump capacitance — nominal value	—	100	—	nF	1
C _{BYLCD}	LCD bypass capacitance — nominal value	—	100	—	nF	1
C _{Glass}	LCD glass capacitance	—	2000	8000	pF	
V _{IREG}	V _{IREG} — HREFSEL = 0 <ul style="list-style-type: none"> • HREFSEL = 0 • HREFSEL = 1 	0.89 1.49	1.00 1.67	1.15 1.85	V V	2
Δ _{RTRIM}	V _{IREG} TRIM resolution	3.0	—	—	% V _{IREG}	

Table continues on the next page...

Table 50. LCD electricals (continued)

Symbol	Description	Min.	Typ.	Max.	Unit	Notes
—	$V_{I\text{REG}}$ ripple <ul style="list-style-type: none"> HREFSEL = 0 HREFSEL = 1 	—	—	30	mV	
		—	—	50	mV	
$I_{V\text{REG}}$	$V_{I\text{REG}}$ current adder — RVEN = 1	—	1	—	μA	3
$I_{R\text{BIAS}}$	RBIAS current adder <ul style="list-style-type: none"> HREFSEL = 0 HREFSEL = 1 	—	10	—	μA	3
		—	1	—	μA	
$R_{R\text{BIAS}}$	RBIAS resistor values <ul style="list-style-type: none"> LADJ = 00 or 01 — Low load (LCD glass capacitance ≤ 2000 pF) LADJ = 10 or 11 — High load (LCD glass capacitance ≤ 8000 pF) 	—	0.28	—	$\text{M}\Omega$	
		—	2.98	—	$\text{M}\Omega$	
VLL2	VLL2 voltage <ul style="list-style-type: none"> HREFSEL = 0 HREFSEL = 1 	2.0 – 5%	2.0	—	V	
		3.3 – 5%	3.3	—	V	
VLL3	VLL3 voltage <ul style="list-style-type: none"> HREFSEL = 0 HREFSEL = 1 	3.0 – 5%	3.0	—	V	
		5 – 5%	5	—	V	

1. The actual value used could vary with tolerance.
2. $V_{I\text{REG}}$ maximum should never be externally driven to any level other than $V_{DD} - 0.15$ V
3. 2000 pF load LCD, 32 Hz frame frequency

7 Dimensions

7.1 Obtaining package dimensions

Package dimensions are provided in package drawings.

To find a package drawing, go to <http://www.freescale.com> and perform a keyword search for the drawing's document number:

If you want the drawing for this package	Then use this document number
144-pin LQFP	98ASS23177W
144-pin MAPBGA	98ASA00222D

8 Pinout

8.1 K51 Signal Multiplexing and Pin Assignments

The following table shows the signals available on each pin and the locations of these pins on the devices supported by this document. The Port Control Module is responsible for selecting which ALT functionality is available on each pin.

144 LQFP	144 MAP BGA	Pin Name	Default	ALT0	ALT1	ALT2	ALT3	ALT4	ALT5	ALT6	ALT7	EzPort
1	D3	PTE0	ADC1_SE4a	ADC1_SE4a	PTE0	SPI1_PCS1	UART1_TX	SDHC0_D1	FB_AD27	I2C1_SDA		
2	D2	PTE1	ADC1_SE5a	ADC1_SE5a	PTE1	SPI1_SOUT	UART1_RX	SDHC0_D0	FB_AD26	I2C1_SCL		
3	D1	PTE2	ADC1_SE6a	ADC1_SE6a	PTE2	SPI1_SCK	UART1_CTS_b	SDHC0_DCLK	FB_AD25			
4	E4	PTE3	ADC1_SE7a	ADC1_SE7a	PTE3	SPI1_SIN	UART1_RTS_b	SDHC0_CMD	FB_AD24			
5	E5	VDD	VDD	VDD								
6	F6	VSS	VSS	VSS								
7	E3	PTE4	DISABLED		PTE4	SPI1_PCS0	UART3_TX	SDHC0_D3	FB_CS3_b/ FB_BE7_0_ BLS31_24_ b	FB_TA_b		
8	E2	PTE5	DISABLED		PTE5	SPI1_PCS2	UART3_RX	SDHC0_D2	FB_TBST_b/ FB_CS2_b/ FB_BE15_8_ BLS23_16_ b			
9	E1	PTE6	DISABLED		PTE6	SPI1_PCS3	UART3_CTS_b	I2S0_MCLK	FB_ALE/ FB_CS1_b/ FB_TS_b	I2S0_CLKIN		
10	F4	PTE7	DISABLED		PTE7		UART3_RTS_b	I2S0_RXD	FB_CS0_b			
11	F3	PTE8	DISABLED		PTE8		UART5_TX	I2S0_RX_FS	FB_AD4			
12	F2	PTE9	DISABLED		PTE9		UART5_RX	I2S0_RX_BCLK	FB_AD3			
13	F1	PTE10	DISABLED		PTE10		UART5_CTS_b	I2S0_TXD	FB_AD2			
14	G4	PTE11	DISABLED		PTE11		UART5_RTS_b	I2S0_TX_FS	FB_AD1			
15	G3	PTE12	DISABLED		PTE12			I2S0_TX_BCLK	FB_AD0			
16	E6	VDD	VDD	VDD								

144 LQFP	144 MAP BGA	Pin Name	Default	ALT0	ALT1	ALT2	ALT3	ALT4	ALT5	ALT6	ALT7	EzPort
17	F7	VSS	VSS	VSS								
18	H3	VSS	VSS	VSS								
19	H1	USB0_DP	USB0_DP	USB0_DP								
20	H2	USB0_DM	USB0_DM	USB0_DM								
21	G1	VOUT33	VOUT33	VOUT33								
22	G2	VREGIN	VREGIN	VREGIN								
23	J1	ADC0_DP1/ OP0_DP0	ADC0_DP1/ OP0_DP0	ADC0_DP1/ OP0_DP0								
24	J2	ADC0_DM1/ OP0_DM0	ADC0_DM1/ OP0_DM0	ADC0_DM1/ OP0_DM0								
25	K1	ADC1_DP1/ OP1_DP0/ OP1_DM1	ADC1_DP1/ OP1_DP0/ OP1_DM1	ADC1_DP1/ OP1_DP0/ OP1_DM1								
26	K2	ADC1_DM1/ OP1_DM0	ADC1_DM1/ OP1_DM0	ADC1_DM1/ OP1_DM0								
27	L1	PGA0_DP/ ADC0_DP0/ ADC1_DP3	PGA0_DP/ ADC0_DP0/ ADC1_DP3	PGA0_DP/ ADC0_DP0/ ADC1_DP3								
28	L2	PGA0_DM/ ADC0_DM0/ ADC1_DM3	PGA0_DM/ ADC0_DM0/ ADC1_DM3	PGA0_DM/ ADC0_DM0/ ADC1_DM3								
29	M1	PGA1_DP/ ADC1_DP0/ ADC0_DP3	PGA1_DP/ ADC1_DP0/ ADC0_DP3	PGA1_DP/ ADC1_DP0/ ADC0_DP3								
30	M2	PGA1_DM/ ADC1_DM0/ ADC0_DM3	PGA1_DM/ ADC1_DM0/ ADC0_DM3	PGA1_DM/ ADC1_DM0/ ADC0_DM3								
31	H5	VDDA	VDDA	VDDA								
32	G5	VREFH	VREFH	VREFH								
33	G6	VREFL	VREFL	VREFL								
34	H6	VSSA	VSSA	VSSA								
35	K3	ADC1_SE1 6/ OP1_OUT/ CMP2_IN2/ ADC0_SE2 2/OP0_DP2/ OP1_DP2	ADC1_SE1 6/ OP1_OUT/ CMP2_IN2/ ADC0_SE2 2/OP0_DP2/ OP1_DP2	ADC1_SE1 6/ OP1_OUT/ CMP2_IN2/ ADC0_SE2 2/OP0_DP2/ OP1_DP2								
36	J3	ADC0_SE1 6/ OP0_OUT/ CMP1_IN2/ ADC0_SE2 1/OP0_DP1/ OP1_DP1	ADC0_SE1 6/ OP0_OUT/ CMP1_IN2/ ADC0_SE2 1/OP0_DP1/ OP1_DP1	ADC0_SE1 6/ OP0_OUT/ CMP1_IN2/ ADC0_SE2 1/OP0_DP1/ OP1_DP1								
37	M3	VREF_OUT/ CMP1_IN5/ CMP0_IN5/	VREF_OUT/ CMP1_IN5/ CMP0_IN5/	VREF_OUT/ CMP1_IN5/ CMP0_IN5/								

Pinout

144 LQFP	144 MAP BGA	Pin Name	Default	ALT0	ALT1	ALT2	ALT3	ALT4	ALT5	ALT6	ALT7	EzPort
		ADC1_SE18		ADC1_SE18								
38	L3	TRIO_OUT/OP1_DM2	TRIO_OUT/OP1_DM2	TRIO_OUT/OP1_DM2								
39	L4	TRIO_DM	TRIO_DM	TRIO_DM								
40	M4	TRIO_DP	TRIO_DP	TRIO_DP								
41	L5	TRI1_DM	TRI1_DM	TRI1_DM								
42	M5	TRI1_DP	TRI1_DP	TRI1_DP								
43	K5	TRI1_OUT/CMP2_IN5/ADC1_SE22	TRI1_OUT	TRI1_OUT/CMP2_IN5/ADC1_SE22								
44	K4	DAC0_OUT/CMP1_IN3/ADC0_SE23/OP0_DP4/OP1_DP4	DAC0_OUT	DAC0_OUT/CMP1_IN3/ADC0_SE23/OP0_DP4/OP1_DP4								
45	J4	DAC1_OUT/CMP2_IN3/ADC1_SE23/OP0_DP5/OP1_DP5	DAC1_OUT	DAC1_OUT/CMP2_IN3/ADC1_SE23/OP0_DP5/OP1_DP5								
46	M7	XTAL32	XTAL32	XTAL32								
47	M6	EXTAL32	EXTAL32	EXTAL32								
48	L6	VBAT	VBAT	VBAT								
49	H4	PTE28	DISABLED		PTE28				FB_AD20			
50	J5	PTA0	JTAG_TCLK/SWD_CLK/EZP_CLK	TSIO_CH1	PTA0	UART0_CTS_b	FTM0_CH5				JTAG_TCLK/SWD_CLK	EZP_CLK
51	J6	PTA1	JTAG_TDI/EZP_DI	TSIO_CH2	PTA1	UART0_RX	FTM0_CH6				JTAG_TDI	EZP_DI
52	K6	PTA2	JTAG_TDO/TRACE_SWO/EZP_DO	TSIO_CH3	PTA2	UART0_TX	FTM0_CH7				JTAG_TDO/TRACE_SWO	EZP_DO
53	K7	PTA3	JTAG_TMS/SWD_DIO	TSIO_CH4	PTA3	UART0_RTS_b	FTM0_CH0				JTAG_TMS/SWD_DIO	
54	L7	PTA4	NMI_b/EZP_CS_b	TSIO_CH5	PTA4		FTM0_CH1				NMI_b	EZP_CS_b
55	M8	PTA5	DISABLED		PTA5		FTM0_CH2		CMP2_OUT	I2S0_RX_BCLK	JTAG_TRST	
56	E7	VDD	VDD	VDD								
57	G7	VSS	VSS	VSS								
58	J7	PTA6	DISABLED		PTA6		FTM0_CH3		FB_CLKOUT		TRACE_CLKOUT	
59	J8	PTA7	ADC0_SE10	ADC0_SE10	PTA7		FTM0_CH4		FB_AD18		TRACE_D3	

144 LQFP	144 MAP BGA	Pin Name	Default	ALT0	ALT1	ALT2	ALT3	ALT4	ALT5	ALT6	ALT7	EzPort
60	K8	PTA8	ADC0_SE1_1	ADC0_SE1_1	PTA8		FTM1_CH0		FB_AD17	FTM1_QD_PHA	TRACE_D2	
61	L8	PTA9	DISABLED		PTA9		FTM1_CH1		FB_AD16	FTM1_QD_PHB	TRACE_D1	
62	M9	PTA10	DISABLED		PTA10		FTM2_CH0		FB_AD15	FTM2_QD_PHA	TRACE_D0	
63	L9	PTA11	DISABLED		PTA11		FTM2_CH1		FB_OE_b	FTM2_QD_PHB		
64	K9	PTA12	CMP2_IN0	CMP2_IN0	PTA12		FTM1_CH0		FB_CS5_b/ FB_TSIZ1/ FB_BE23_1 6_BLS15_8_b	I2S0_TXD	FTM1_QD_PHA	
65	J9	PTA13	CMP2_IN1	CMP2_IN1	PTA13		FTM1_CH1		FB_CS4_b/ FB_TSIZ0/ FB_BE31_2 4_BLS7_0_b	I2S0_TX_FS	FTM1_QD_PHB	
66	L10	PTA14	DISABLED		PTA14	SPI0_PCS0	UART0_TX		FB_AD31	I2S0_TX_B CLK		
67	L11	PTA15	DISABLED		PTA15	SPI0_SCK	UART0_RX		FB_AD30	I2S0_RXD		
68	K10	PTA16	DISABLED		PTA16	SPI0_SOUT	UART0_CTS_b		FB_AD29	I2S0_RX_FS		
69	K11	PTA17	ADC1_SE1_7	ADC1_SE1_7	PTA17	SPI0_SIN	UART0_RTS_b		FB_AD28	I2S0_MCLK	I2S0_CLKIN	
70	E8	VDD	VDD	VDD								
71	G8	VSS	VSS	VSS								
72	M12	PTA18	EXTAL	EXTAL	PTA18		FTM0_FLT2	FTM_CLKIN_0				
73	M11	PTA19	XTAL	XTAL	PTA19		FTM1_FLT0	FTM_CLKIN_1		LPT0_ALT1		
74	L12	RESET_b	RESET_b	RESET_b								
75	K12	PTA24	DISABLED		PTA24				FB_AD14			
76	J12	PTA25	DISABLED		PTA25				FB_AD13			
77	J11	PTA26	DISABLED		PTA26				FB_AD12			
78	J10	PTA27	DISABLED		PTA27				FB_AD11			
79	H12	PTA28	DISABLED		PTA28				FB_AD10			
80	H11	PTA29	DISABLED		PTA29				FB_AD19			
81	H10	PTB0	LCD_P0/ ADC0_SE8/ ADC1_SE8/ TSIO_CH0	LCD_P0/ ADC0_SE8/ ADC1_SE8/ TSIO_CH0	PTB0	I2C0_SCL	FTM1_CH0			FTM1_QD_PHA	LCD_P0	
82	H9	PTB1	LCD_P1/ ADC0_SE9/ ADC1_SE9/ TSIO_CH6	LCD_P1/ ADC0_SE9/ ADC1_SE9/ TSIO_CH6	PTB1	I2C0_SDA	FTM1_CH1			FTM1_QD_PHB	LCD_P1	

Pinout

144 LQFP	144 MAP BGA	Pin Name	Default	ALT0	ALT1	ALT2	ALT3	ALT4	ALT5	ALT6	ALT7	EzPort
83	G12	PTB2	LCD_P2/ ADC0_SE1 2/TSIO_CH7	LCD_P2/ ADC0_SE1 2/TSIO_CH7	PTB2	I2C0_SCL	UART0_RT S_b			FTM0_FLT3	LCD_P2	
84	G11	PTB3	LCD_P3/ ADC0_SE1 3/TSIO_CH8	LCD_P3/ ADC0_SE1 3/TSIO_CH8	PTB3	I2C0_SDA	UART0_CT S_b			FTM0_FLT0	LCD_P3	
85	G10	PTB4	LCD_P4/ ADC1_SE1 0	LCD_P4/ ADC1_SE1 0	PTB4					FTM1_FLT0	LCD_P4	
86	G9	PTB5	LCD_P5/ ADC1_SE1 1	LCD_P5/ ADC1_SE1 1	PTB5					FTM2_FLT0	LCD_P5	
87	F12	PTB6	LCD_P6/ ADC1_SE1 2	LCD_P6/ ADC1_SE1 2	PTB6						LCD_P6	
88	F11	PTB7	LCD_P7/ ADC1_SE1 3	LCD_P7/ ADC1_SE1 3	PTB7						LCD_P7	
89	F10	PTB8	LCD_P8	LCD_P8	PTB8		UART3_RT S_b				LCD_P8	
90	F9	PTB9	LCD_P9	LCD_P9	PTB9	SPI1_PCS1	UART3_CT S_b				LCD_P9	
91	E12	PTB10	LCD_P10/ ADC1_SE1 4	LCD_P10/ ADC1_SE1 4	PTB10	SPI1_PCS0	UART3_RX			FTM0_FLT1	LCD_P10	
92	E11	PTB11	LCD_P11/ ADC1_SE1 5	LCD_P11/ ADC1_SE1 5	PTB11	SPI1_SCK	UART3_TX			FTM0_FLT2	LCD_P11	
93	H7	VSS	VSS	VSS								
94	F5	VDD	VDD	VDD								
95	E10	PTB16	LCD_P12/ TSIO_CH9	LCD_P12/ TSIO_CH9	PTB16	SPI1_SOUT	UART0_RX			EWM_IN	LCD_P12	
96	E9	PTB17	LCD_P13/ TSIO_CH10	LCD_P13/ TSIO_CH10	PTB17	SPI1_SIN	UART0_TX			EWM_OUT _b	LCD_P13	
97	D12	PTB18	LCD_P14/ TSIO_CH11	LCD_P14/ TSIO_CH11	PTB18		FTM2_CH0	I2S0_TX_B CLK		FTM2_QD_ PHA	LCD_P14	
98	D11	PTB19	LCD_P15/ TSIO_CH12	LCD_P15/ TSIO_CH12	PTB19		FTM2_CH1	I2S0_TX_F S		FTM2_QD_ PHB	LCD_P15	
99	D10	PTB20	LCD_P16	LCD_P16	PTB20	SPI2_PCS0				CMP0_OUT	LCD_P16	
100	D9	PTB21	LCD_P17	LCD_P17	PTB21	SPI2_SCK				CMP1_OUT	LCD_P17	
101	C12	PTB22	LCD_P18	LCD_P18	PTB22	SPI2_SOUT				CMP2_OUT	LCD_P18	
102	C11	PTB23	LCD_P19	LCD_P19	PTB23	SPI2_SIN	SPI0_PCS5				LCD_P19	
103	B12	PTC0	LCD_P20/ ADC0_SE1 4/ TSIO_CH13	LCD_P20/ ADC0_SE1 4/ TSIO_CH13	PTC0	SPI0_PCS4	PDB0_EXT RG	I2S0_TXD			LCD_P20	
104	B11	PTC1	LCD_P21/ ADC0_SE1	LCD_P21/ ADC0_SE1	PTC1	SPI0_PCS3	UART1_RT S_b	FTM0_CH0			LCD_P21	

144 LQFP	144 MAP BGA	Pin Name	Default	ALT0	ALT1	ALT2	ALT3	ALT4	ALT5	ALT6	ALT7	EzPort
			5/ TSI0_CH14	5/ TSI0_CH14								
105	A12	PTC2	LCD_P22/ ADC0_SE4 b/ CMP1_IN0/ TSI0_CH15	LCD_P22/ ADC0_SE4 b/ CMP1_IN0/ TSI0_CH15	PTC2	SPI0_PCS2	UART1_CT S_b	FTM0_CH1			LCD_P22	
106	A11	PTC3	LCD_P23/ CMP1_IN1	LCD_P23/ CMP1_IN1	PTC3	SPI0_PCS1	UART1_RX	FTM0_CH2			LCD_P23	
107	H8	VSS	VSS	VSS								
108	C10	VLL3	VLL3	VLL3								
109	C9	VLL2	VLL2	VLL2								
110	B9	VLL1	VLL1	VLL1								
111	B10	VCAP2	VCAP2	VCAP2								
112	A10	VCAP1	VCAP1	VCAP1								
113	A9	PTC4	LCD_P24	LCD_P24	PTC4	SPI0_PCS0	UART1_TX	FTM0_CH3		CMP1_OUT	LCD_P24	
114	D8	PTC5	LCD_P25	LCD_P25	PTC5	SPI0_SCK		LPT0_ALT2		CMP0_OUT	LCD_P25	
115	C8	PTC6	LCD_P26/ CMP0_IN0	LCD_P26/ CMP0_IN0	PTC6	SPI0_SOUT	PDB0_EXT RG				LCD_P26	
116	B8	PTC7	LCD_P27/ CMP0_IN1	LCD_P27/ CMP0_IN1	PTC7	SPI0_SIN					LCD_P27	
117	A8	PTC8	LCD_P28/ ADC1_SE4 b/ CMP0_IN2	LCD_P28/ ADC1_SE4 b/ CMP0_IN2	PTC8		I2S0_MCLK	I2S0_CLKIN			LCD_P28	
118	D7	PTC9	LCD_P29/ ADC1_SE5 b/ CMP0_IN3	LCD_P29/ ADC1_SE5 b/ CMP0_IN3	PTC9			I2S0_RX_B CLK		FTM2_FLT0	LCD_P29	
119	C7	PTC10	LCD_P30/ ADC1_SE6 b/ CMP0_IN4	LCD_P30/ ADC1_SE6 b/ CMP0_IN4	PTC10	I2C1_SCL		I2S0_RX_F S			LCD_P30	
120	B7	PTC11	LCD_P31/ ADC1_SE7 b	LCD_P31/ ADC1_SE7 b	PTC11	I2C1_SDA		I2S0_RXD			LCD_P31	
121	A7	PTC12	LCD_P32	LCD_P32	PTC12		UART4_RT S_b				LCD_P32	
122	D6	PTC13	LCD_P33	LCD_P33	PTC13		UART4_CT S_b				LCD_P33	
123	C6	PTC14	LCD_P34	LCD_P34	PTC14		UART4_RX				LCD_P34	
124	B6	PTC15	LCD_P35	LCD_P35	PTC15		UART4_TX				LCD_P35	
125	A6	PTC16	LCD_P36	LCD_P36	PTC16		UART3_RX				LCD_P36	
126	D5	PTC17	LCD_P37	LCD_P37	PTC17		UART3_TX				LCD_P37	
127	C5	PTC18	LCD_P38	LCD_P38	PTC18		UART3_RT S_b				LCD_P38	

Pinout

144 LQFP	144 MAP BGA	Pin Name	Default	ALT0	ALT1	ALT2	ALT3	ALT4	ALT5	ALT6	ALT7	EzPort
128	B5	PTC19	LCD_P39	LCD_P39	PTC19		UART3_CTS_b				LCD_P39	
129	A5	PTD0	LCD_P40	LCD_P40	PTD0	SPI0_PCS0	UART2_RTS_b				LCD_P40	
130	D4	PTD1	LCD_P41/ ADC0_SE5_b	LCD_P41/ ADC0_SE5_b	PTD1	SPI0_SCK	UART2_CTS_b				LCD_P41	
131	C4	PTD2	LCD_P42	LCD_P42	PTD2	SPI0_SOUT	UART2_RX				LCD_P42	
132	B4	PTD3	LCD_P43	LCD_P43	PTD3	SPI0_SIN	UART2_TX				LCD_P43	
133	A4	PTD4	LCD_P44	LCD_P44	PTD4	SPI0_PCS1	UART0_RTS_b	FTM0_CH4		EWM_IN	LCD_P44	
134	A3	PTD5	LCD_P45/ ADC0_SE6_b	LCD_P45/ ADC0_SE6_b	PTD5	SPI0_PCS2	UART0_CTS_b	FTM0_CH5		EWM_OUT_b	LCD_P45	
135	A2	PTD6	LCD_P46/ ADC0_SE7_b	LCD_P46/ ADC0_SE7_b	PTD6	SPI0_PCS3	UART0_RX	FTM0_CH6		FTM0_FLT0	LCD_P46	
136	M10	VSS	VSS	VSS								
137	F8	VDD	VDD	VDD								
138	A1	PTD7	LCD_P47	LCD_P47	PTD7	CMT_IRO	UART0_TX	FTM0_CH7		FTM0_FLT1	LCD_P47	
139	B3	PTD10	DISABLED		PTD10		UART5_RTS_b		FB_AD9			
140	B2	PTD11	DISABLED		PTD11	SPI2_PCS0	UART5_CTS_b	SDHC0_CLKIN	FB_AD8			
141	B1	PTD12	DISABLED		PTD12	SPI2_SCK		SDHC0_D4	FB_AD7			
142	C3	PTD13	DISABLED		PTD13	SPI2_SOUT		SDHC0_D5	FB_AD6			
143	C2	PTD14	DISABLED		PTD14	SPI2_SIN		SDHC0_D6	FB_AD5			
144	C1	PTD15	DISABLED		PTD15	SPI2_PCS1		SDHC0_D7	FB_RW_b			

8.2 K51 Pinouts

The below figure shows the pinout diagram for the devices supported by this document. Many signals may be multiplexed onto a single pin. To determine what signals can be used on which pin, see the previous section.

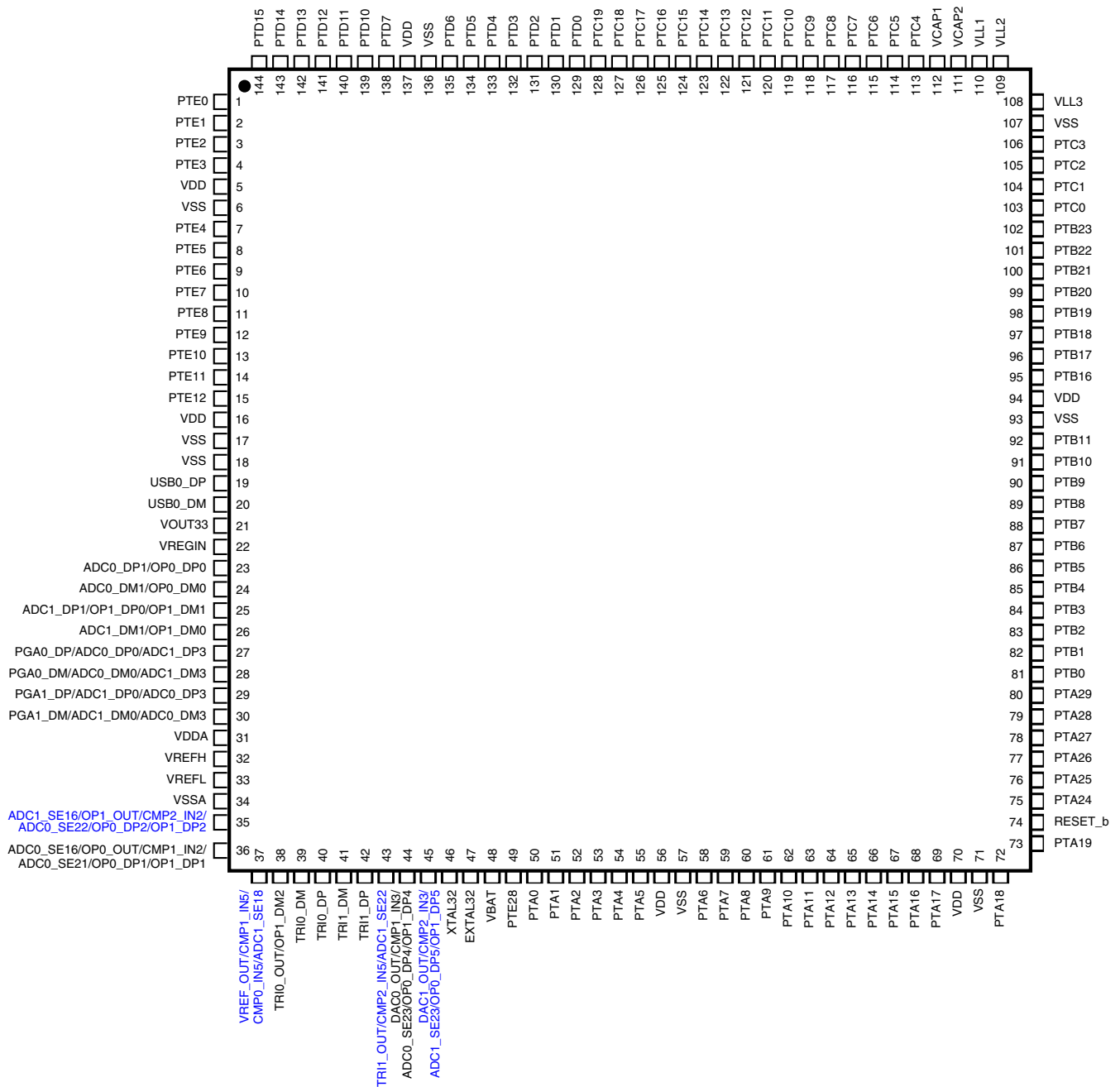


Figure 30. K51 144 LQFP Pinout Diagram

Revision History

	1	2	3	4	5	6	7	8	9	10	11	12	
A	PTD7	PTD6	PTD5	PTD4	PTD0	PTC16	PTC12	PTC8	PTC4	VCAP1	PTC3	PTC2	A
B	PTD12	PTD11	PTD10	PTD3	PTC19	PTC15	PTC11	PTC7	VLL1	VCAP2	PTC1	PTC0	B
C	PTD15	PTD14	PTD13	PTD2	PTC18	PTC14	PTC10	PTC6	VLL2	VLL3	PTB23	PTB22	C
D	PTE2	PTE1	PTE0	PTD1	PTC17	PTC13	PTC9	PTC5	PTB21	PTB20	PTB19	PTB18	D
E	PTE6	PTE5	PTE4	PTE3	VDD	VDD	VDD	VDD	PTB17	PTB16	PTB11	PTB10	E
F	PTE10	PTE9	PTE8	PTE7	VDD	VSS	VSS	VDD	PTB9	PTB8	PTB7	PTB6	F
G	VOOUT33	VREGIN	PTE12	PTE11	VREFH	VREFL	VSS	VSS	PTB5	PTB4	PTB3	PTB2	G
H	USB0_DP	USB0_DM	VSS	PTE28	VDDA	VSSA	VSS	VSS	PTB1	PTB0	PTA29	PTA28	H
J	ADC0_DP1/ OP0_DP0	ADC0_DM1/ OP0_DM0	ADC0_SE16/ OP0_OUT/ CMP1_IN2/ ADC0_SE21/ OP0_DP1/ OP1_DP1	DAC1_OUT/ CMP2_IN3/ ADC1_SE23/ OP0_DP5/ OP1_DP5	PTA0	PTA1	PTA6	PTA7	PTA13	PTA27	PTA26	PTA25	J
K	ADC1_DP1/ OP1_DP0/ OP1_DM1	ADC1_DM1/ OP1_DM0	ADC1_SE16/ OP1_OUT/ CMP2_IN2/ ADC0_SE22/ OP0_DP2/ OP1_DP2	DAC0_OUT/ CMP1_IN3/ ADC0_SE23/ OP0_DP4/ OP1_DP4	TRI1_OUT/ CMP2_IN5/ ADC1_SE22	PTA2	PTA3	PTA8	PTA12	PTA16	PTA17	PTA24	K
L	PGA0_DP/ ADC0_DP0/ ADC1_DP3	PGA0_DM/ ADC0_DM0/ ADC1_DM3	TRI0_OUT/ OP1_DM2	TRI0_DM	TRI1_DM	VBAT	PTA4	PTA9	PTA11	PTA14	PTA15	RESET_b	L
M	PGA1_DP/ ADC1_DP0/ ADC0_DP3	PGA1_DM/ ADC1_DM0/ ADC0_DM3	VREF_OUT/ CMP1_IN5/ CMP0_IN5/ ADC1_SE18	TRI0_DP	TRI1_DP	EXTAL32	XTAL32	PTA5	PTA10	VSS	PTA19	PTA18	M
	1	2	3	4	5	6	7	8	9	10	11	12	

Figure 31. K51 144 MAPBGA Pinout Diagram

9 Revision History

The following table provides a revision history for this document.

Table 51. Revision History

Rev. No.	Date	Substantial Changes
2	3/2011	Initial public revision

Table continues on the next page...

Table 51. Revision History (continued)

Rev. No.	Date	Substantial Changes
3	3/2011	Added sections that were inadvertently removed in previous revision
4	3/2011	Reworded I _{IC} footnote in "Voltage and Current Operating Requirements" table. Added paragraph to "Peripheral operating requirements and behaviors" section. Added "JTAG full voltage range electricals" table to the "JTAG electricals" section.

How to Reach Us:

Home Page:

www.freescale.com

Web Support:

<http://www.freescale.com/support>

USA/Europe or Locations Not Listed:

Freescale Semiconductor
Technical Information Center, EL516
2100 East Elliot Road
Tempe, Arizona 85284
+1-800-521-6274 or +1-480-768-2130
www.freescale.com/support

Europe, Middle East, and Africa:

Freescale Halbleiter Deutschland GmbH
Technical Information Center
Schatzbogen 7
81829 Muenchen, Germany
+44 1296 380 456 (English)
+46 8 52200080 (English)
+49 89 92103 559 (German)
+33 1 69 35 48 48 (French)
www.freescale.com/support

Japan:

Freescale Semiconductor Japan Ltd.
Headquarters
ARCO Tower 15F
1-8-1, Shimo-Meguro, Meguro-ku,
Tokyo 153-0064
Japan
0120 191014 or +81 3 5437 9125
support.japan@freescale.com

Asia/Pacific:

Freescale Semiconductor China Ltd.
Exchange Building 23F
No. 118 Jianguo Road
Chaoyang District
Beijing 100022
China
+86 10 5879 8000
support.asia@freescale.com

For Literature Requests Only:

Freescale Semiconductor Literature Distribution Center
1-800-441-2447 or +1-303-675-2140
Fax: +1-303-675-2150
LDCForFreescaleSemiconductor@hibbertgroup.com

Information in this document is provided solely to enable system and software implementers to use Freescale Semiconductors products. There are no express or implied copyright licenses granted hereunder to design or fabricate any integrated circuits or integrated circuits based on the information in this document.

Freescale Semiconductor reserves the right to make changes without further notice to any products herein. Freescale Semiconductor makes no warranty, representation, or guarantee regarding the suitability of its products for any particular purpose, nor does Freescale Semiconductor assume any liability arising out of the application or use of any product or circuit, and specifically disclaims any liability, including without limitation consequential or incidental damages. "Typical" parameters that may be provided in Freescale Semiconductor data sheets and/or specifications can and do vary in different applications and actual performance may vary over time. All operating parameters, including "Typicals", must be validated for each customer application by customer's technical experts. Freescale Semiconductor does not convey any license under its patent rights nor the rights of others. Freescale Semiconductor products are not designed, intended, or authorized for use as components in systems intended for surgical implant into the body, or other applications intended to support or sustain life, or for any other application in which failure of the Freescale Semiconductor product could create a situation where personal injury or death may occur. Should Buyer purchase or use Freescale Semiconductor products for any such unintended or unauthorized application, Buyer shall indemnify Freescale Semiconductor and its officers, employees, subsidiaries, affiliates, and distributors harmless against all claims, costs, damages, and expenses, and reasonable attorney fees arising out of, directly or indirectly, any claim of personal injury or death associated with such unintended or unauthorized use, even if such claims alleges that Freescale Semiconductor was negligent regarding the design or manufacture of the part.

RoHS-compliant and/or Pb-free versions of Freescale products have the functionality and electrical characteristics as their non-RoHS-compliant and/or non-Pb-free counterparts. For further information, see <http://www.freescale.com> or contact your Freescale sales representative.

For information on Freescale's Environmental Products program, go to <http://www.freescale.com/epp>.

Freescale™ and the Freescale logo are trademarks of Freescale Semiconductor, Inc. All other product or service names are the property of their respective owners.

© 2010–2011 Freescale Semiconductor, Inc.

