

Features

- Low phase noise
- Low cost, low power consumption
- Linear tuning
- Small size, 10.2x7.2mm
- 50W
- RoHS compliant



Applications

- GSM, CDMA, WCDMA, TD-SCDMA Wireless infrastructure
- Digital TV system

To order

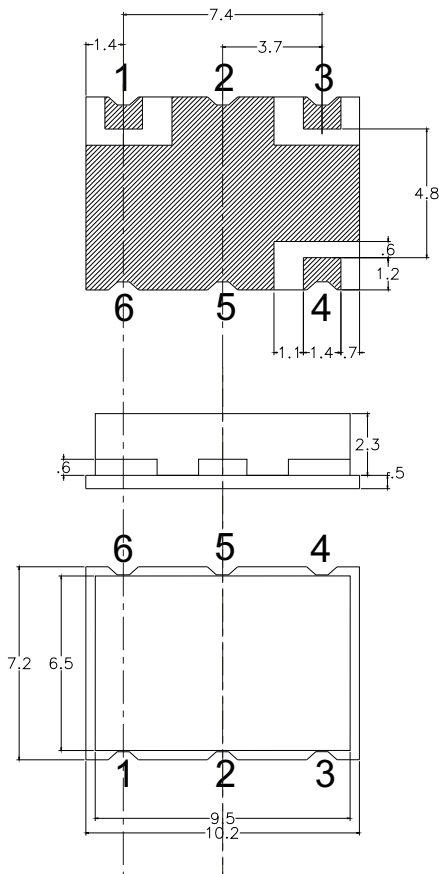
MVCO 1050-S

① ② ③

- ①: Series name, SMT VCO
- ②: Centre frequency
- ③: Package

Package

Outline drawing



Pin function

Pin No.	Function
1	Tuning port V_T
3	Power supply V_{cc}
4	RFout
Others are ground	

Small size SMT VCO

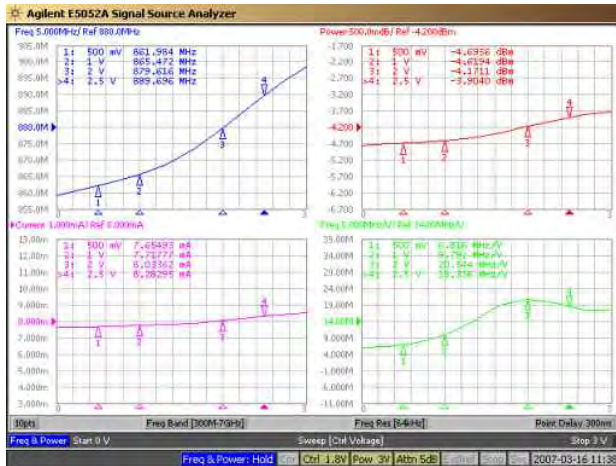
Part number	Frequency range f(MHz)	Output Power Po(dBm)	Tuning Voltage VT(V)	Tuning sensitivity (MHz/V)	Harmonic (dB) Typ	Phase noise Sj(dBc/Hz) fm=10KHz Typ	Phase noise Sj(dBc/Hz) fm= 1MHz Typ	Input capacitance Cp(pF) Typ	Supply voltage Vcc (V)	Supply current Icc(max mA)
MVCO832-S	820 - 845	1 ± 3	0.5-4.5	12	-12	- 110	- 150	51	5	20
MVCO875-S	865 - 885	- 3 ± 3	0.5-2.5	17	-15	- 110	- 150	51	3	12
MVCO1018-S	1000-1036	1 ± 3	0.5-4.5	1	-15	- 110	- 150	51	5	20

Absolute Maximum Rating

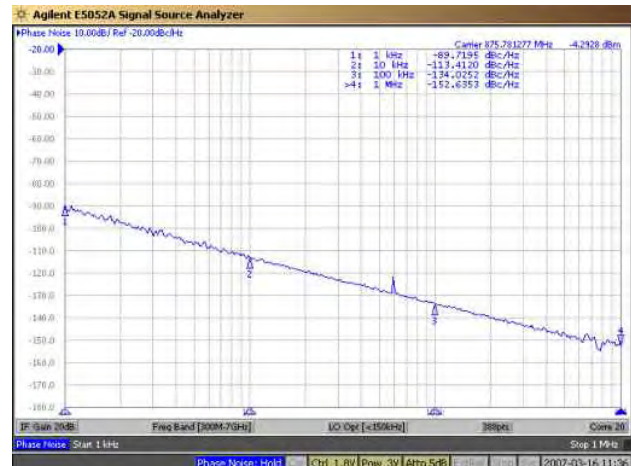
Parameter	Absolute limit
Supply voltage V _{CC}	+6.5V(+3.5V)
Min tuning voltage V _T	-0.7V
Max tuning voltage V _T	+8.0V
Max reflowing temp (10S)	+230°C
Storage temperature	-45°C ~ +100°C

- Notes :1. Operation of device above any one of these parameters may cause permanent damage
2. Electrostatic sensitive device

Typical performance (Measured by Agilent E5052A)



MVCO865-S Frequency tuning sensitivity
Output power, current vs. Tuning voltage



Phase noise of MVCO865-s

Notes:

1. Custom design available, frequency cover **200~2000MHz**, relative bandwidth **5~30%**。
2. Operating temp range -20°C~+70°C, (-40°C~+85°C Available) 。
3. SMT package 10.2×7.2×3.0mm³。