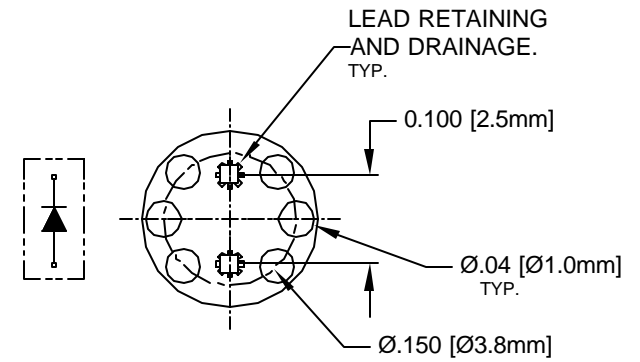
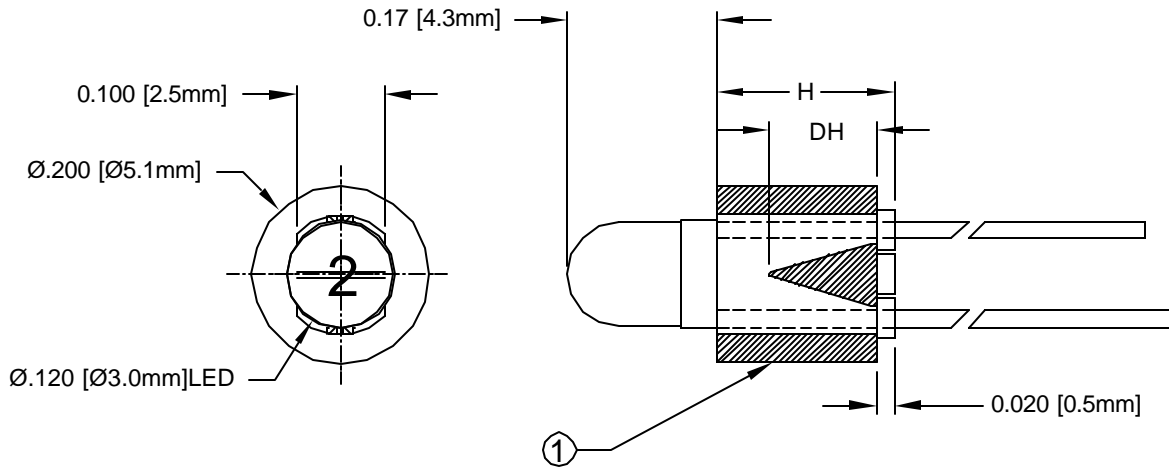


ITEM	QTY	PART NUMBER	PART DESCRIPTION
1	1	NTM-XXX	LED holder, Panel Mount, Press Fit (3mm)
2	1	3XX	T-1 (3mm) N-Flange LED, See page # 2

REV.	DESCRIPTION	DATE	APPROVED
A	Engineering Release	07/17/06	M. C.
B	Removed Spacer Material Specs	06/29/07	M. C.





PART NO.	H	DH	PART NO.	H	DH	PART NO.	H	DH
LTM / NTM-120	.120(3.1)	.060(1.5)	LTM / NTM-300	.300(7.6)	.185(4.7)	LTM / NTM-490	.490(12.5)	.310(7.9)
LTM / NTM-130	.130(3.3)		LTM / NTM-310	.310(7.9)		LTM / NTM-500	.500(12.7)	.560(14.2)
LTM / NTM-140	.140(3.6)		LTM / NTM-320	.320(8.1)		LTM / NTM-520	.520(13.2)	
LTM / NTM-150	.150(3.8)		LTM / NTM-330	.330(8.4)		LTM / NTM-550	.550(14.0)	
LTM / NTM-160	.160(4.1)		LTM / NTM-340	.340(8.6)		LTM / NTM-570	.570(14.5)	
LTM / NTM-170	.170(4.3)		LTM / NTM-350	.350(8.9)		LTM / NTM-600	.600(15.2)	
LTM / NTM-180	.180(4.6)		LTM / NTM-360	.360(9.1)		LTM / NTM-620	.620(15.8)	
LTM / NTM-190	.190(4.8)		LTM / NTM-370	.370(9.4)		LTM / NTM-650	.650(16.5)	
LTM / NTM-200	.200(5.1)		LTM / NTM-380	.380(9.7)		LTM / NTM-670	.670(17.0)	
LTM / NTM-210	.210(5.3)		LTM / NTM-390	.390(9.9)		LTM / NTM-700	.700(17.8)	
LTM / NTM-220	.220(5.6)	LTM / NTM-400	.400(10.2)	LTM / NTM-720	.720(18.3)	.690(17.5)		
LTM / NTM-230	.230(5.8)	LTM / NTM-410	.410(10.4)	LTM / NTM-750	.750(19.1)			
LTM / NTM-240	.240(6.1)	LTM / NTM-420	.420(10.7)	LTM / NTM-770	.770(19.6)			
LTM / NTM-250	.250(6.4)	LTM / NTM-430	.430(10.9)	LTM / NTM-800	.800(20.3)			
LTM / NTM-260	.260(6.6)	LTM / NTM-440	.440(11.2)	LTM / NTM-820	.820(20.8)			
LTM / NTM-270	.270(6.9)	LTM / NTM-450	.450(11.4)	LTM / NTM-850	.850(21.6)			
LTM / NTM-280	.280(7.1)	LTM / NTM-460	.460(11.7)	LTM / NTM-870	.870(22.1)			
LTM / NTM-290	.290(7.4)	LTM / NTM-480	.480(12.2)	LTM / NTM-900	.900(22.9)			

Recommended Mounting
Hole Size = $\text{Ø}0.032 \begin{matrix} +.003 \\ -.002 \end{matrix}$

STANDARD TOLERANCE (UNLESS OTHERWISE SPECIFIED)		BIVAR [®] 4 THOMAS, IRVINE, CA. 92618 TEL: (949) 951-8808 FAX: (949) 951-3974	
DECIMALS	ANGULAR		
.X ± .1	X° ± 1°		TITLE: MOLDED, SELF-RETAINING LED MOUNT
.XX ± .01			PART NO: NTMXXX3XX
.XXX ± .005			REVISION: B
DESIGNED: Sonny Dam	DATE: 07/17/06	CAGE CODE : 32559	SHEET # 1 OF 2
CHECKED: T. Yin	DATE: 07/17/06	CAD GENERATED DOCUMENT, DO NOT MEASURE DRAWING.	

REV.	DESCRIPTION	DATE	APPROVED
	See Page 1		

LED Part No.	Chip			Lens Appearance	Absolute Maximum Ratings				Electro-Optical Data @ 20mA			Viewing Angle (Deg)
	Material	Peak Wave Length λ_p (nm)	Emitted Color		$\Delta\lambda$ (nm)	Pd (mW)	If (mA)	Peak If (mA)	Vf (V)		Iv (mcd)	
									Typ.	Max.	Typ.	
3BWC	GaN/SiC	430	BLUE	WATER CLEAR	65	150	25	70	4.0	4.5	50	30
3BWD	GaN/SiC	430	BLUE	DIFFUSED	65	150	25	70	4.0	4.5	20	45
3BWT	GaN/SiC	430	BLUE	TINTED	65	150	25	70	4.0	4.5	50	30
3PGC	GaP/GaP	555	PURE GREEN	WATER CLEAR	25	80	30	150	2.2	2.6	12	30
3PGD	GaP/GaP	555	PURE GREEN	DIFFUSED	25	80	30	150	2.2	2.6	5	45
3PGT	GaP/GaP	555	PURE GREEN	TINTED	25	80	30	150	2.2	2.6	12	30
3GC	GaP/GaP	565	GREEN	WATER CLEAR	30	80	30	150	2.2	2.6	65	30
3GD	GaP/GaP	565	GREEN	DIFFUSED	30	80	30	150	2.2	2.6	30	45
3GT	GaP/GaP	565	GREEN	TINTED	30	80	30	150	2.2	2.6	65	30
3YC	GaAsP/GaP	585	YELLOW	WATER CLEAR	35	80	30	150	2.1	2.6	55	30
3YD	GaAsP/GaP	585	YELLOW	DIFFUSED	35	80	30	150	2.1	2.6	20	45
3YT	GaAsP/GaP	585	YELLOW	TINTED	35	80	30	150	2.1	2.6	55	30
3AC	GaAsP/GaP	610	AMBER	WATER CLEAR	35	80	30	150	2.2	2.6	65	30
3AD	GaAsP/GaP	610	AMBER	DIFFUSED	35	80	30	150	2.2	2.6	30	45
3AT	GaAsP/GaP	610	AMBER	TINTED	35	80	30	150	2.2	2.6	65	30
3HC	GaAsP/GaP	635	HE RED	WATER CLEAR	45	80	30	150	2.0	2.6	100	30
3HD	GaAsP/GaP	635	HE RED	DIFFUSED	45	80	30	150	2.0	2.6	30	45
3HT	GaAsP/GaP	653	HE RED	TINTED	45	80	30	150	2.0	2.6	100	30
3RC	GaAsP/GaAs	655	RED	WATER CLEAR	40	80	40	200	1.7	2.0	18	30
3RD	GaAsP/GaAs	655	RED	DIFFUSED	40	80	40	200	1.7	2.0	6	45
3RT	GaAsP/GaAs	655	RED	TINTED	40	80	40	200	1.7	2.0	18	30

STANDARD TOLERANCE (UNLESS OTHERWISE SPECIFIED) <u>10% All Values</u>		 BIVAR [®] 4 THOMAS, IRVINE, CA. 92618 TEL: (949) 951-8808 FAX: (949) 951-3974	
ANGULAR X° ± 1°			
		TITLE: Molded, Self-Retaining LED Mount	
		DESIGNED: Sonny Dam	DATE: 07/17/06
CHECKED: T. Yin		DATE: 07/17/06	CAGE CODE : 32559 SHEET # 2 OF 2
CAD GENERATED DOCUMENT, DO NOT MEASURE DRAWING.			