

**PLEASE CHECK WWW.MOLEX.COM FOR LATEST PART INFORMATION**

**Part Number:** [0986581231](#)  
**Status:** **Active**  
**Overview:** [mox crimp terminals](#)  
**Description:** MOX Crimp Terminal, Female, 0.635mm (.025"), 20-24 AWG (0.22-0.60mm<sup>2</sup>), Reel, 2 points selective gold

**Documents:**

[Packaging Specification \(PDF\)](#)                      [RoHS Certificate of Compliance \(PDF\)](#)  
[Drawing \(PDF\)](#)

**General**

Product Family	Crimp Terminals
Series	<a href="#">98658</a>
Comments	Terminal has Stainless Steel Sleeve
Crimp Quality Equipment	Yes
Overview	<a href="#">mox crimp terminals</a>
Product Name	MOX

**Physical**

Durability (mating cycles max)	20
Gender	Female
Material - Metal	Copper-Nickel-Silicon, Stainless Steel
Material - Plating Mating	Gold
Material - Plating Termination	Tin
Packaging Type	Reel
Plating min: Mating (µin)	16.00
Plating min: Mating (µm)	0.40
Plating min: Termination (µin)	40.00
Plating min: Termination (µm)	1.00
Termination Interface: Style	Crimp or Compression
Wire Insulation Diameter	1.20-1.80mm (.047-.071")
Wire Size AWG	N/A
Wire Size mm <sup>2</sup>	0.22 TO 0.60

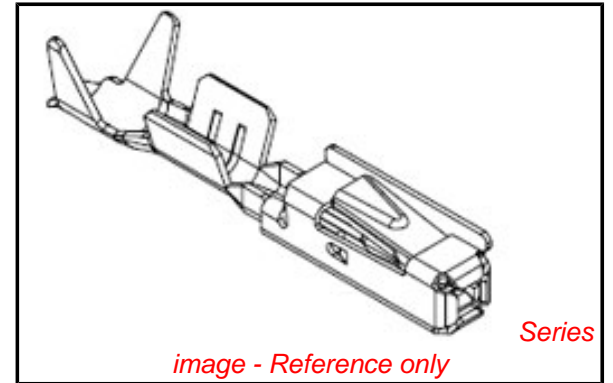
**Electrical**

Current - Maximum per Contact	7.5A
-------------------------------	------

**Material Info**

**Reference - Drawing Numbers**

Packaging Specification	PK-98658-006
Sales Drawing	SD-98658-004



*image - Reference only*

**EU RoHS**

**ELV and RoHS Compliant**

**REACH SVHC**

Not Reviewed

**Halogen-Free**

Status

**Not Reviewed**

**China RoHS**



**Need more information on product environmental compliance?**

Email [productcompliance@molex.com](mailto:productcompliance@molex.com)  
 For a multiple part number RoHS Certificate of Compliance, [click here](#)

Please visit the [Contact Us](#) section for any non-product compliance questions.

**Search Parts in this Series**

[98658Series](#)

**Use With**

all 0.635mm (.025") MOX Housings

**Application Tooling | [FAQ](#)**

*Tooling specifications and manuals are found by selecting the products below. Crimp Height Specifications are then contained in the Application Tooling Specification document.*

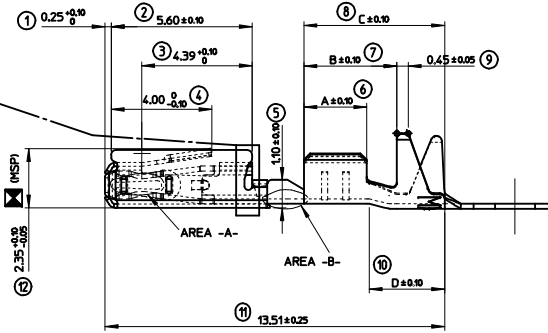
**Global**

Description	Product #
Extractor Tool for 2.8mm Crimp Terminals	<a href="#">0638136900</a>
Extractor Tool for 2.8mm Crimp Terminals	<a href="#">0638137000</a>
FineAdjust™ Applicator	<a href="#">0638666000</a>
Hand Crimp Tool	<a href="#">0638119300</a>
MOX Extraction Tool	<a href="#">0638132600</a>

This document was generated on 05/31/2010

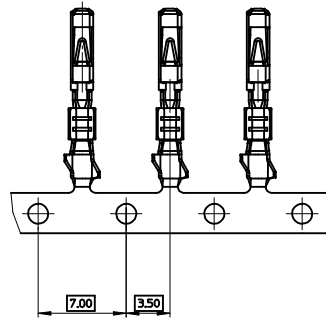
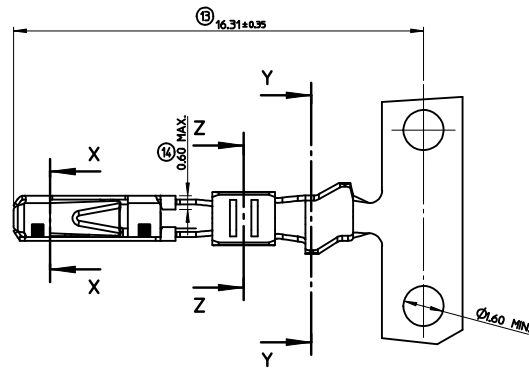
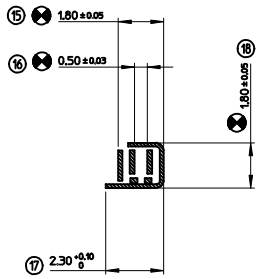
**PLEASE CHECK [WWW.MOLEX.COM](http://WWW.MOLEX.COM) FOR LATEST PART INFORMATION**

FORME ADMISE  
ALLOWED VERSION

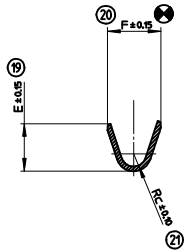


MOLEX REFERENCE	AREA -A- ( GAP AREA )	AREA -B-	CRIMPING AREA	Wire size range	Longeure Length	Serrisage Wire Crimp	Conducteur Insulation Crimp	Serrisage Isolant Insulation Crimp	Poids Weight
TIN PLATED VERSION	096581211	HOT TIN DP Sn = 1.0 to 3.0 Hs		0.22 to 0.60 mm <sup>2</sup>	A-250 B-370 C-560 D-300	E-190 F-240 Rc-050	G-290 H-280 Ri-080	0.600 g	
GOLD PLATED VERSION	096581221	Au= 0.4 Hs MIN. Ni= 1.0 Hs MIN.	Sn = 1.0 to 5.0 Hs MIN. Ni = 1.0 Hs MIN.						
GOLD PLATED VERSION	096581231	Au= 0.4 Hs MIN. Ni= 1.0 Hs MIN.	Au= 0.4 Hs MIN. Ni= 1.0 Hs MIN.	Sn = 1.0 to 5.0 Hs MIN. Ni = 1.0 Hs MIN.	0.75 mm <sup>2</sup>	E-225 F-225 Rc-050	G-290 H-280 Ri-080	0.600 g	
TIN PLATED VERSION	096581212	HOT TIN DP Sn = 1.0 to 3.0 Hs							
GOLD PLATED VERSION	096581222	Au= 0.4 Hs MIN. Ni= 1.0 Hs MIN.		Sn = 1.0 to 5.0 Hs MIN. Ni = 1.0 Hs MIN.	0.22 to 0.50 mm <sup>2</sup>	E-180 F-180 Rc-040	G-230 H-230 Ri-070	0.600 g	
GOLD PLATED VERSION	096581232	Au= 0.4 Hs MIN. Ni= 1.0 Hs MIN.	Au= 0.4 Hs MIN. Ni= 1.0 Hs MIN.	Sn = 1.0 to 5.0 Hs MIN. Ni = 1.0 Hs MIN.					
TIN PLATED VERSION	096581213	HOT TIN DP Sn = 1.0 to 3.0 Hs		0.22 to 0.50 mm <sup>2</sup>	A-250 B-370 C-560 D-300	E-180 F-180 Rc-040	G-230 H-230 Ri-070	0.600 g	
GOLD PLATED VERSION	096581223	Au= 0.4 Hs MIN. Ni= 1.0 Hs MIN.							Sn = 1.0 to 5.0 Hs MIN. Ni = 1.0 Hs MIN.
GOLD PLATED VERSION	096581233	Au= 0.4 Hs MIN. Ni= 1.0 Hs MIN.	Au= 0.4 Hs MIN. Ni= 1.0 Hs MIN.	Sn = 1.0 to 5.0 Hs MIN. Ni = 1.0 Hs MIN.					

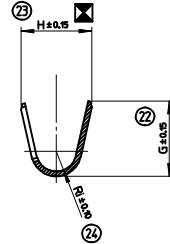
X-X



Z-Z



Y-Y



NOTE:

- MATERIAL: CONTACT BODY: HIGH CONDUCTIVE COPPER ALLOY.  
SLEEVE: STAINLESS STEEL.
- PACKAGING SPECIFICATION: PK-98658-006.
- CRIMPING PARAMETERS AND CRIMPING TOOL DEFINITION: SEE CS-98658-001.

INDICATION DIMENSIONS S.P.C  
DENOTES S.P.C DIMENSIONS  
 INDICATION DIMENSIONS DETERMINANT LES  
CAPABILITES MACHINE  
DENOTES DIMENSIONS DETERMINING THE  
MACHINE'S ABILITIES  
 INDICATION DIMENSIONS FONCTIONNELLES  
DENOTES FUNCTIONAL DIMENSIONS  
 QUANTITE PAR FEUILLE INDIVIDUELLE  
QUANTITY PER INDIVIDUAL SHEET  
 - 2     - 4     - 0

CHANGED DR. E & F FOR 0.5 mm EC NO: GZ008-0492 DRAWING: GRANDCL 2008/12/04 CHKD: MANDRE 2008/12/02 APPR: LSTLEKER 2008/12/08	GENERAL TOLERANCES (UNLESS SPECIFIED)	DIMENSION STYLE MM ONLY	SCALE 10:1	DESIGN UNITS METRIC	<input checked="" type="checkbox"/> FIRST ANGLE PROJECTION	
	4 PLACES ± --- ± --- 3 PLACES ± --- ± --- 2 PLACES ± 0. ± --- 1 PLACE ± 0. ± ---	mm    INCH ± ---    ± --- ± ---    ± --- ± 0.    ± --- ± 0.    ± ---	DRAWN BY    DATE JTAMSSON    1998/06/01 CHECKED BY    DATE MANDRE    1999/10/14 APPROVED BY    DATE CBOUCHAN    1999/10/14	TITLE MOX 0.63 TERMINAL RECEPTACLE TERMINAL GENERIC CONTROL DRAWING	MOLEX INCORPORATED	SHEET NO. 1 OF 1
	DRAFT WHERE APPLICABLE MUST REMAIN WITHIN DIMENSIONS	SEE CHART	MATERIAL NO. SD-98658-004	DOCUMENT NO. SD-98658-004	MOLEX INCORPORATED	SHEET NO. 1 OF 1
	THIS DRAWING CONTAINS INFORMATION THAT IS PROPRIETARY TO MOLEX INCORPORATED AND SHOULD NOT BE USED WITHOUT WRITTEN PERMISSION	SIZE A1	MOLEX INCORPORATED	MOLEX INCORPORATED	MOLEX INCORPORATED	SHEET NO. 1 OF 1