

PLEASE CHECK WWW.MOLEX.COM FOR LATEST PART INFORMATION

Part Number: [0986581232](#)
Status: **Active**
Overview: [mox crimp terminals](#)
Description: MOX Crimp Terminal, Female, 0.635mm (.025"), 18-22 AWG (0.75mm²), Reel, 2 points selective gold

Documents:

[Packaging Specification \(PDF\)](#)
[Drawing \(PDF\)](#)

[RoHS Certificate of Compliance \(PDF\)](#)

General

Product Family	Crimp Terminals
Series	98658
Comments	Terminal has Stainless Steel Sleeve
Crimp Quality Equipment	Yes
Overview	mox crimp terminals
Product Name	MOX

Physical

Durability (mating cycles max)	20
Gender	Female
Material - Metal	Copper-Nickel-Silicon, Stainless Steel
Material - Plating Mating	Gold
Material - Plating Termination	Tin
Packaging Type	Reel
Plating min: Mating (µin)	16.00
Plating min: Mating (µm)	0.40
Plating min: Termination (µin)	40.00
Plating min: Termination (µm)	1.00
Termination Interface: Style	Crimp or Compression
Wire Insulation Diameter	1.70mm (.067") max.
Wire Size AWG	N/A
Wire Size mm ²	0.75

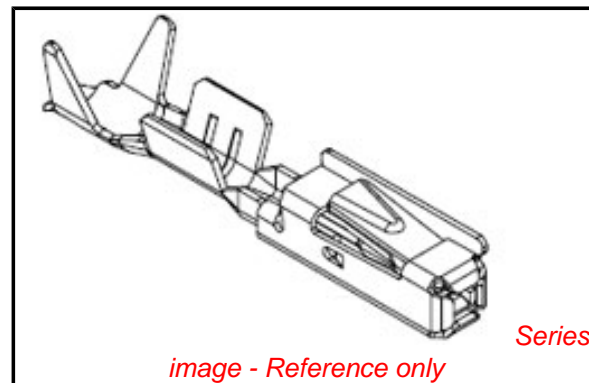
Electrical

Current - Maximum per Contact	7.5A
-------------------------------	------

Material Info

Reference - Drawing Numbers

Sales Drawing	SD-98658-004
---------------	--------------



EU RoHS

ELV and RoHS Compliant
REACH SVHC
 Not Reviewed
Halogen-Free Status
 Not Reviewed

China RoHS



Need more information on product environmental compliance?

Email productcompliance@molex.com
 For a multiple part number RoHS Certificate of Compliance, [click here](#)

Please visit the [Contact Us](#) section for any non-product compliance questions.

Search Parts in this Series

[98658Series](#)

Use With

all 0.635mm (.025") MOX Housings

Application Tooling | [FAQ](#)

Tooling specifications and manuals are found by selecting the products below. Crimp Height Specifications are then contained in the Application Tooling Specification document.

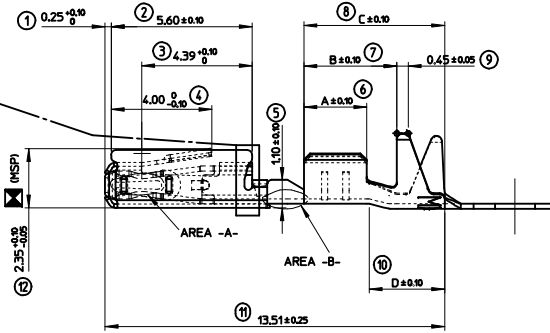
Global

Description	Product #
Extractor Tool for 2.8mm Crimp Terminals	0638136900
Extractor Tool for 2.8mm Crimp Terminals	0638137000
FineAdjust™ Applicator	0638667000
Hand Crimp Tool	0638119300
MOX Extraction Tool	0638132600

This document was generated on 05/31/2010

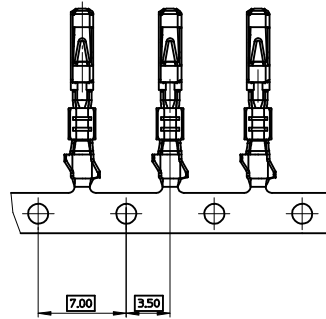
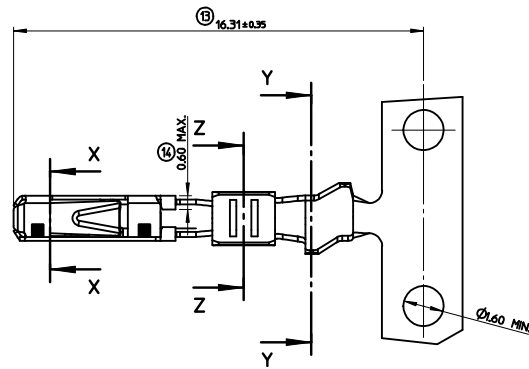
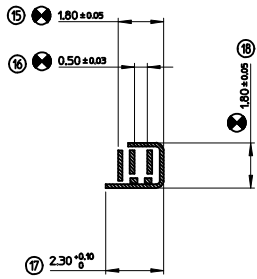
PLEASE CHECK WWW.MOLEX.COM FOR LATEST PART INFORMATION

FORME ADMISE
ALLOWED VERSION

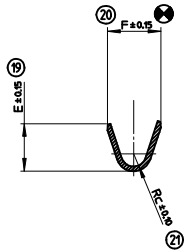


MOLEX REFERENCE	AREA -A- (GAP AREA)	AREA -B-	CRIMPING AREA	Wire size range	Longeure Length	Serrisage Wire Crimp	Conducteur Insulation Crimp	Serrisage Isolant Insulation Crimp	Poids Weight
TIN PLATED VERSION	096581211		HOT TIN DP Sn = 1.0 to 3.0 µm						
GOLD PLATED VERSION	096581221	Au= 0.4 µm MIN. Ni= 1.0 µm MIN.		Sn = 1.0 to 5.0 µm MIN. Ni = 1.0 µm MIN.	0.22 to 0.60 mm ²	A-250 B-370 C-560 D-300	E-190 F-240 Rc-050	G-290 H-280 Ri-080	0.6000 g
GOLD PLATED VERSION	096581231	Au= 0.4 µm MIN. Ni= 1.0 µm MIN.	Au= 0.4 µm MIN. Ni= 1.0 µm MIN.	Sn = 1.0 to 5.0 µm MIN. Ni = 1.0 µm MIN.					
TIN PLATED VERSION	096581212		HOT TIN DP Sn = 1.0 to 3.0 µm						
GOLD PLATED VERSION	096581222	Au= 0.4 µm MIN. Ni= 1.0 µm MIN.		Sn = 1.0 to 5.0 µm MIN. Ni = 1.0 µm MIN.	0.75 mm ²	A-280 B-370 C-560 D-270	E-225 F-225 Rc-050	G-290 H-280 Ri-080	0.6000 g
GOLD PLATED VERSION	096581232	Au= 0.4 µm MIN. Ni= 1.0 µm MIN.	Au= 0.4 µm MIN. Ni= 1.0 µm MIN.	Sn = 1.0 to 5.0 µm MIN. Ni = 1.0 µm MIN.					
TIN PLATED VERSION	096581213		HOT TIN DP Sn = 1.0 to 3.0 µm						
GOLD PLATED VERSION	096581223	Au= 0.4 µm MIN. Ni= 1.0 µm MIN.		Sn = 1.0 to 5.0 µm MIN. Ni = 1.0 µm MIN.	0.22 to 0.50 mm ²	A-250 B-370 C-560 D-300	E-180 F-180 Rc-040	G-290 H-290 Ri-070	
GOLD PLATED VERSION	096581233	Au= 0.4 µm MIN. Ni= 1.0 µm MIN.	Au= 0.4 µm MIN. Ni= 1.0 µm MIN.	Sn = 1.0 to 5.0 µm MIN. Ni = 1.0 µm MIN.					

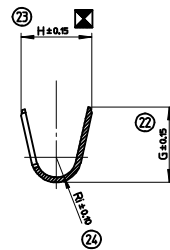
X-X



Z-Z



Y-Y



NOTE:

- MATERIAL: CONTACT BODY: HIGH CONDUCTIVE COPPER ALLOY.
SLEEVE: STAINLESS STEEL.
- PACKAGING SPECIFICATION: PK-98658-006.
- CRIMPING PARAMETERS AND CRIMPING TOOL DEFINITION: SEE CS-98658-001.

INDICATION DIMENSIONS S.P.C
DENOTES S.P.C DIMENSIONS
 INDICATION DIMENSIONS DETERMINANT LES
CAPABILITIES MACHINE
DENOTES DIMENSIONS DETERMINING THE
MACHINE'S ABILITIES
 INDICATION DIMENSIONS FONCTIONNELLES
DENOTES FUNCTIONAL DIMENSIONS
 QUANTITE PAR FEUILLE INDIVIDUELLE
QUANTITY PER INDIVIDUAL SHEET
 - 2 - 4 - 0

CHANGED DIM. E & F FOR 0.5 mmZ EC NO: GZ008-0292 DRAWING: GRANDCL CHKD: MANDRE APPROVAL: LEKER	2008/12/04 2008/12/02 2008/12/08	DESCRIPTION	GENERAL TOLERANCES (UNLESS SPECIFIED)		DIMENSION STYLE MM ONLY		SCALE	DESIGN UNITS	FIRST ANGLE PROJECTION
			mm	INCH	DRAWN BY	DATE	10:1	METRIC	
			4 PLACES ± ---	± ---	JTAMSSON	1998/06/01			
			3 PLACES ± ---	± ---	CHECKED BY	DATE			
			2 PLACES ± 0.	± ---	MANDRE	1999/10/14			
			1 PLACE ± 0.	± ---	APPROVED BY	DATE			
			ANGULAR ± 1/2°		CBOUCHAN	1999/10/14			
			DRAFT WHERE APPLICABLE MUST REMAIN WITHIN DIMENSIONS		MATERIAL NO.				
			SEE CHART		DOCUMENT NO.				
			THIS DRAWING CONTAINS INFORMATION THAT IS PROPRIETARY TO MOLEX INCORPORATED AND SHOULD NOT BE USED WITHOUT WRITTEN PERMISSION		SD-98658-004				
					SHEET NO.				
					1 OF 1				