

**PLEASE CHECK WWW.MOLEX.COM FOR LATEST PART INFORMATION**

**Part Number:** [0512371205](#)  
**Status:** **Active**  
**Description:** CRC™ Shielded Rectangular I/O Mold Cover, For Wire-to-Wire, Receptacle Assembly, 12 Circuits

**Documents:**

<a href="#">Drawing (PDF)</a>	<a href="#">Product Specification PS-51300-004 (PDF)</a>
<a href="#">Product Specification PS-51238-010 (PDF)</a>	<a href="#">Product Specification PS-51300-005 (PDF)</a>
<a href="#">Product Specification PS-51238-018 (PDF)</a>	<a href="#">RoHS Certificate of Compliance (PDF)</a>

**Agency Certification**

CSA	LR19980
TUV	R72081037
UL	E29179

**General**

Product Family	I/O Connectors
Series	<a href="#">51237</a>
Application	N/A
Component Type	Plastic Receptacle Cover
Product Name	CRC™
Type	N/A

**Physical**

Boot Color	N/A
Breakaway	No
Circuits (Loaded)	N/A
Circuits (maximum)	12
Color - Resin	Gray
Durability (mating cycles max)	100
Flammability	94V-0
Gender	N/A
Lock to Mating Part	Yes
Material - Plating Mating	n/a
Material - Resin	Polycarbonate
Number of Rows	0
Orientation	Vertical
Packaging Type	Tray
Panel Mount	N/A
Pitch - Mating Interface (in)	0.000 In
Pitch - Mating Interface (mm)	0.00 mm
Polarized to Mating Part	Yes
Polarized to PCB	N/A
Surface Mount Compatible (SMC)	N/A
Temperature Range - Operating	-40°C to +105°C
Termination Interface: Style	N/A
Waterproof / Dustproof	No

**Electrical**

Current - Maximum per Contact	4A
Shielded	No
Voltage - Maximum	250V AC (RMS)/DC

**Material Info**

**Reference - Drawing Numbers**



**EU RoHS**

**ELV and RoHS Compliant**  
**REACH SVHC Contains SVHC: No**  
**Halogen-Free Status Not Reviewed**

**China RoHS**



**Need more information on product environmental compliance?**

Email [productcompliance@molex.com](mailto:productcompliance@molex.com)  
 For a multiple part number RoHS Certificate of Compliance, [click here](#)

Please visit the [Contact Us](#) section for any non-product compliance questions.

**Search Parts in this Series**

[51237Series](#)

**Use With**

[56384](#) shell body, [56385](#) shell cover

Product Specification

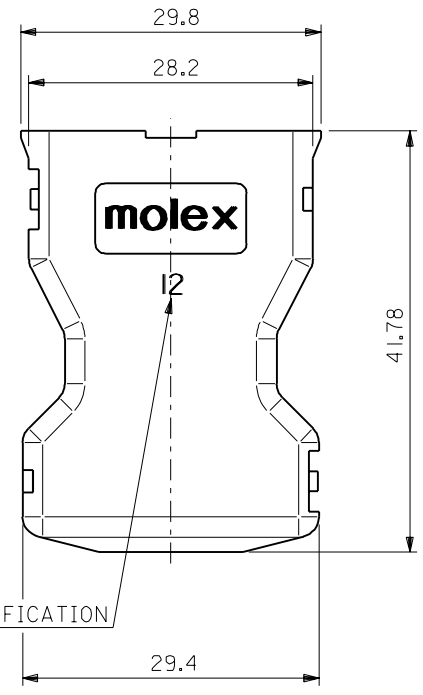
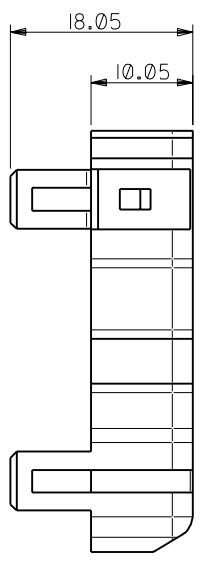
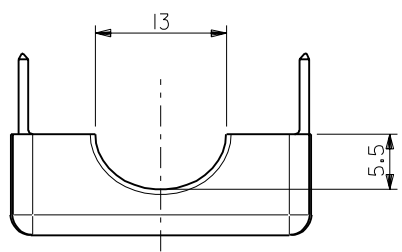
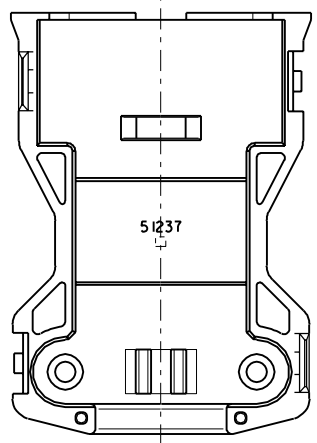
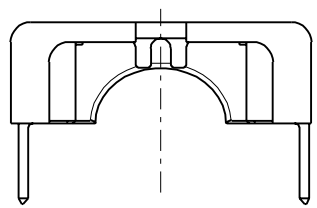
Sales Drawing

PS-51238-010, PS-51238-018, PS-51300-004,  
PS-51300-005, RPS-51238-001  
SD-51237-004

This document was generated on 04/06/2010

**PLEASE CHECK [WWW.MOLEX.COM](http://WWW.MOLEX.COM) FOR LATEST PART INFORMATION**

DWG. NO.  
SD-51237-004



SIZE IDENTIFICATION

注記  
NOTES

1. 材質  
MATERIAL

ガラス入りポリカーボネイト樹脂 UL94V-0 色: グレー  
POLYCARBONATE G.F. UL94V-0 COLOR : GRAY

51237-1205	51237-**-05
------------	-------------

MATERIAL.NO	MODEL.NO
-------------	----------

DIMENSIONS:		SHT	REV
<input type="checkbox"/> mm	<input type="checkbox"/> INCH	<input checked="" type="checkbox"/> mm	<input type="checkbox"/> ONLY
		REVISE ON CAD ONLY	

TITLE: COMPACT ROBOT CONN. (CRC)  
W TO W TYPE MOLD COVER

**molex** MOLEX INCORPORATED

MATERIAL NO.	DRAWING NO.	SHEET NO.
SEE CHART	SD-51237-004	1 OF 1

THIS DRAWING CONTAINS INFORMATION THAT IS PROPRIETARY TO MOLEX INCORPORATED AND SHOULD NOT BE USED WITHOUT WRITTEN PERMISSION.

SIZE  
B

DO NOT SCALE DRAWING

EC NO. DRWN: CHK: APPR:	EC NO. DRWN: CHK: APPR:	EC NO. DRWN: CHK: APPR:	REVISED 01/10/29 EC NO. J2002-1025 DRWN: K.SAKAMOTO CHK: J.MIYAZAWA APPR: YO.ITO	EC NO. JD2001-1040 DRWN: S.AKIYAMA CHK: J.MIYAZAWA APPR: H.IKESUGI	DESCRIPTION
			A	0	注記参照 SEE NOTES
					FINISH 仕上げ
					WIRE RANGE 適用電線範囲
					INS. RANGE 被覆外径

MATERIAL 材料	注記参照 SEE NOTES
FINISH 仕上げ	#
WIRE RANGE 適用電線範囲	#
INS. RANGE 被覆外径	#

GENERAL TOLERANCES: (UNLESS SPECIFIED) 一般公差	SCALE 2-1	DESIGN UNITS mm INCH	THIRD ANGLE PROJECTION
10 UNDER 未満	±0.2	DRAWN BY & DATE S. Akiyama 01/01/25	TITLE:
10 OVER 30 UNDER 以上 未満	±0.25	CHECKED BY & DATE J. Miyazawa / Y. Ito	COMPACT ROBOT CONN. (CRC) W TO W TYPE MOLD COVER
30 OVER 以上	±0.3	APPROVED BY & DATE Yo. Ito	<b>molex</b> MOLEX INCORPORATED
ANGLE 角度	±3°	CAD FILE NAME 51237004.S01	MATERIAL NO. SEE CHART

SCALE 2-1	DESIGN UNITS mm INCH	THIRD ANGLE PROJECTION
DRAWN BY & DATE S. Akiyama 01/01/25	TITLE:	COMPACT ROBOT CONN. (CRC) W TO W TYPE MOLD COVER
CHECKED BY & DATE J. Miyazawa / Y. Ito	<b>molex</b> MOLEX INCORPORATED	MATERIAL NO. SEE CHART
APPROVED BY & DATE Yo. Ito	MATERIAL NO.	DRAWING NO.
CAD FILE NAME 51237004.S01	SEE CHART	SD-51237-004

THIRD ANGLE PROJECTION	TITLE:	COMPACT ROBOT CONN. (CRC) W TO W TYPE MOLD COVER
<b>molex</b> MOLEX INCORPORATED	MATERIAL NO.	SEE CHART
MATERIAL NO.	DRAWING NO.	SD-51237-004
SHEET NO.	1 OF 1	
THIS DRAWING CONTAINS INFORMATION THAT IS PROPRIETARY TO MOLEX INCORPORATED AND SHOULD NOT BE USED WITHOUT WRITTEN PERMISSION.		
SIZE B	EN-02J(097) MXJ-54	

8 7 6 5 4 3 2 1

F

D

V

C

B

F

E

D

C

B

A

8 7 6 5 4 3 2 1