



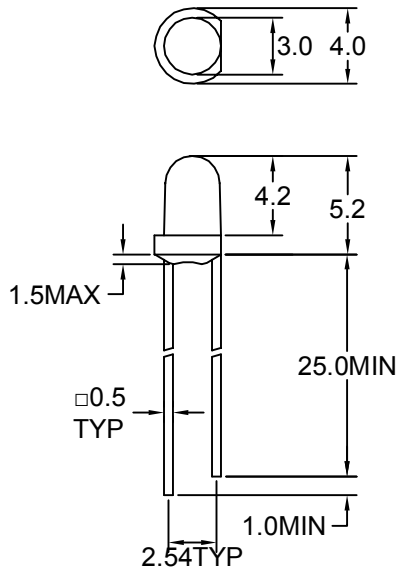
**LIGITEK**

FLASH ROUND TYPE LED LAMPS

LFH2060

SERIES

Package Dimension



Note: 1. All dimension are in millimeter tolerance is  $\pm 0.25\text{mm}$  unless otherwise noted  
 2. Specifications are subject to change without notice

Features

Built-in IC chip flashes lamps on and off to attract attention  
 Pulse rate 2.4Hz  
 T-1 size  
 1 inch leads  
 Large full flood radiating area  
 IC compatible

Description

The LFH2060 series is a solid state lamp with a red diffused plastic lens  
 The built-in IC flashes the lamp on/off and can be driven directly by standard TTL and CMOS circuit eliminating the need for external switching circuitry

Part Selection And Application Information (Ratings At 25 Ambient)

PART NO	MATERIAL	COLOR		Peak wave length Pnm	Spectral halfwidth nm	Pulse rate(Hz) volt=5v		Luminous intensity volt=5v(mcd)		Operating voltage	
		Emitted	Lens			Min.	Max.	Min.	Typ.	Min.	Max.
LFH2060	GaP	Red	Red Diffused	697	90	2.0	3.0	1.8	3.2	3.0	10

Absolute Maximum Rating (Ta=25 )

PARAMETER	RED		GREEN		YELLOW		ORANGE		UNIT	REMARK
		H								
Peak Current (1/4 Duty cycle)		60							mA	
Operating Voltage	10								V	
Reverse Voltage	0.4								V	
Operating Temperature	-0 TO +85									
Storage Temperature	-20 TO +85									

Lead Soldering Temperature 260 For 5 Seconds(2.0mm From Body)