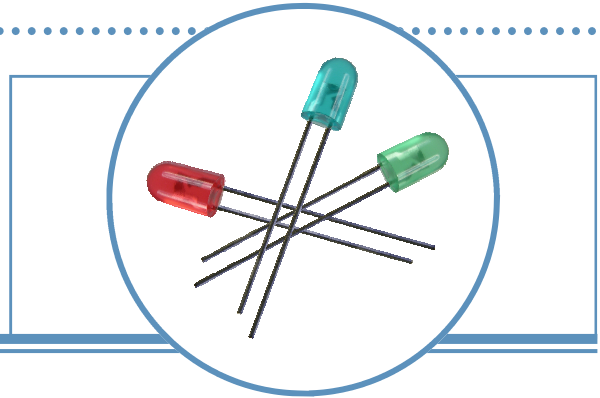


Round Yellow Through-hole LED Lamp (3mm)

OVLBY4C7

- High Brightness with Well-defined Spatial Radiation Patterns
- UV-resistant Epoxy Lens
- Yellow (589nm)

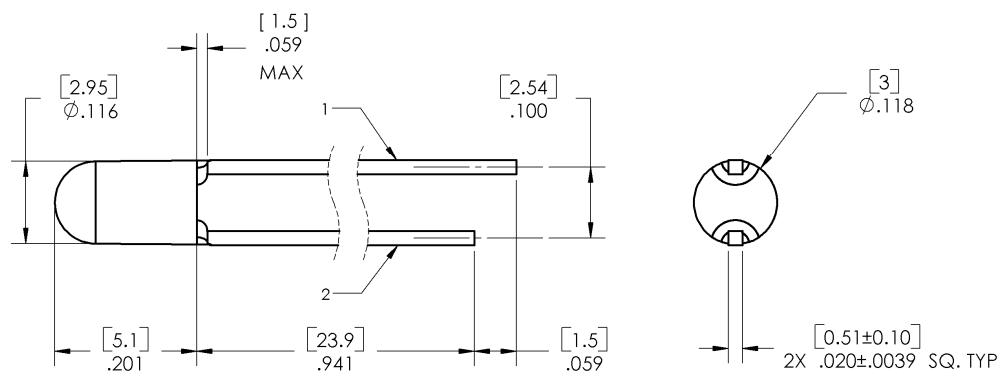


The OVLBY4C7 is a high-intensity AlInGaP LED mounted in a clear plastic T-1 package. Its UV-resistant epoxy lens makes this device an optimal solution for outdoor applications. This LED provides a well-defined and even emission pattern.

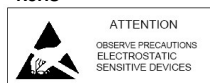
Applications

- Pedestrian Signals
- Signage and Architectural Lighting
- Backlighting
- Automotive
- Outdoor/Indoor Displays

Part Number	Material	Emitted Color	Intensity Typ. mcd	Lens Color
OVLBY4C7	AlInGaP	Yellow	2400	Water Clear



1 ANODE 2 CATHODE DIMENSIONS ARE IN INCHES AND [MILLIMETERS].



OPTEK reserves the right to make changes at any time in order to improve design and to supply the best product possible.

Round Yellow Through-hole LED (3mm) OVLBY4C7



Absolute Maximum Ratings

$T_A = 25^\circ\text{C}$ unless otherwise noted

Storage Temperature Range	-40 ~ +100°C
Operating Temperature Range	-40 ~ +85°C
Reverse Voltage	5 V
Continuous Forward Current	30 mA
Peak Forward Current (10% Duty Cycle, 1KHz)	100 mA
Power Dissipation	78 mW
Current Linearity vs. Ambient Temperature	-0.5 mA/°C
LED Junction Temperature	125°C
Lead Soldering Temperature (3mm from the base of the epoxy bulb) ¹	260°C

Note:

- Solder time less than 5 seconds at temperature extreme.

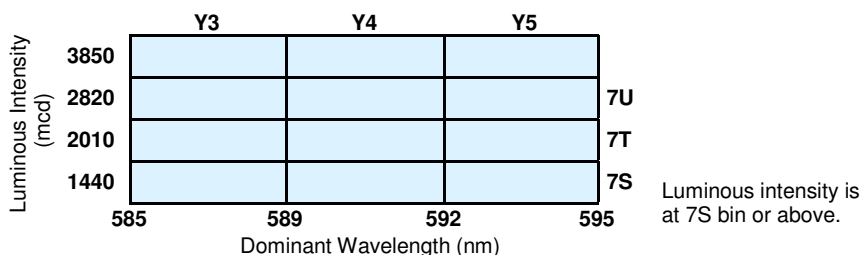
Electrical Characteristics

$T_A = 25^\circ\text{C}$ unless otherwise noted

SYMBOL	PARAMETER	MIN	TYP	MAX	UNITS	CONDITIONS
I_V	Luminous Intensity	1440	2400	----	mcd	$I_F = 20\text{mA}$
V_F	Forward Voltage	----	2.2	2.6	V	$I_F = 20\text{mA}$
I_R	Reverse Current	----	----	10	μA	$V_R = 5\text{V}$
λ_P	Peak Wavelength	----	593	----	nm	$I_F = 20\text{mA}$
λ_D	Dominant Wavelength	585	589	595	nm	$I_F = 20\text{mA}$
$2\Theta_{1/2\text{H-H}}$	50% Power Angle	----	45	----	deg	$I_F = 20\text{mA}$

Standard Bins ($I_F = 20\text{mA}$)

Lamps are sorted to luminous intensity (I_V) and dominant wavelength (λ_D) bins shown. Orders for OVLBY4C7 may be filled with any or all bins contained as below.



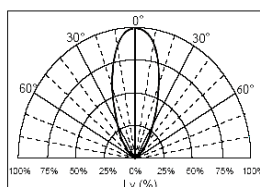
Forward Voltage

Rank	G	H	J	6
Voltage	1.8–2.0	2.0–2.2	2.2–2.4	2.4–2.6

Important Notes:

- All ranks will be included per delivery, rank ratio will be based on the chip distribution.
- To designate luminous intensity ranks, please contact OPTeK.
- Pb content <1000PPM.

Beam Pattern



Typical Electro-Optical Characteristics Curves

