

# RT9131 Data Sheet

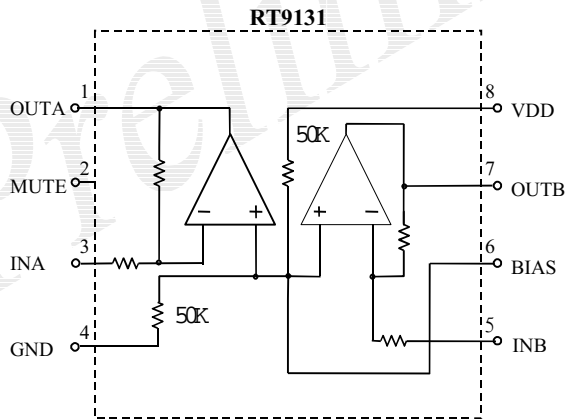




**Pin Description**

Pin No.	Pin Name	Pin Function
		DD

**Function Block Diagram**



**Absolute Maximum Ratings**

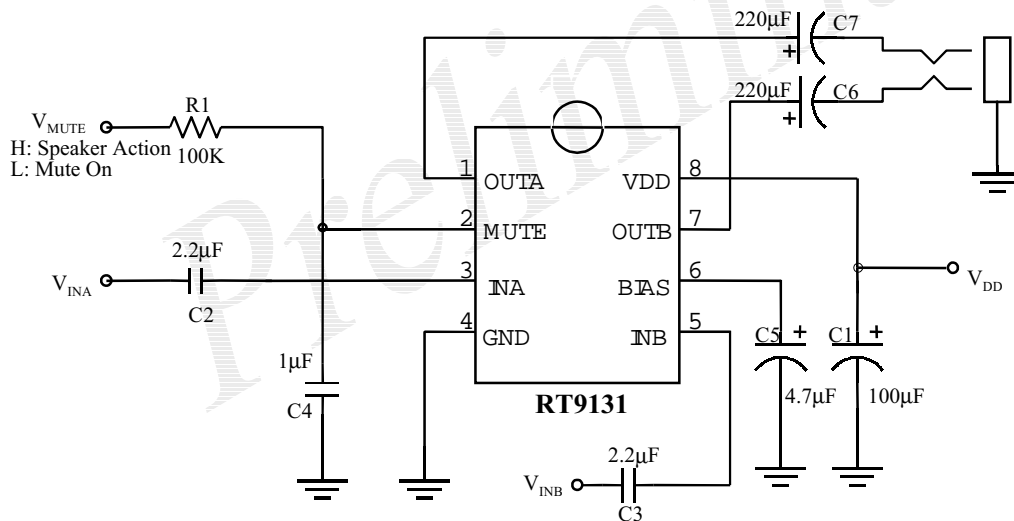
- .....
- ..... -40°C to 85°C
- ..... °C
- ..... -60°C to 150°C
- .....
- ..... °C
- ..... °C
- ..... °C
- ..... °C
- ..... (1)
- ..... -200 to 200V (2)

Ω  
Ω,

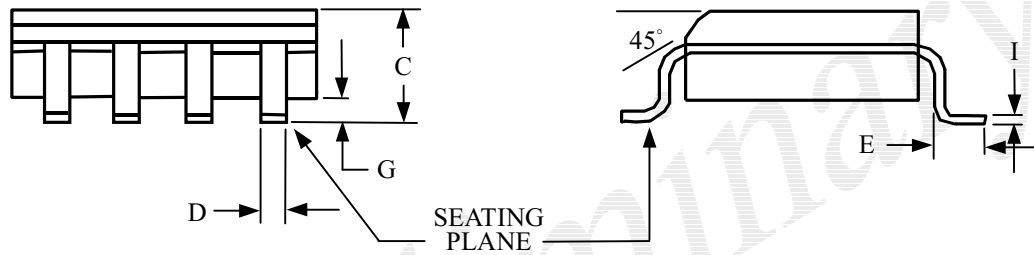
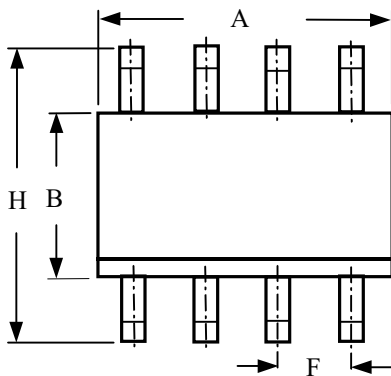
Electrical Characteristics

Parameter	Test Conditions	Min	Typ	Max	Units
	IN				
	L $\Omega$ , THD<0.1%				
	L $\Omega$ , THD<0.1%				
	G $\Omega$				
	G $\Omega$				
	RR, $F_{RR}$				

Typical Application Circuits:



**Package Information**



Symbols	Dimensions In Inches			Dimensions In Millimeter		
	Min	Norm	Max	Min	Norm	Max

**8-Lead SOP Plastic Package**

