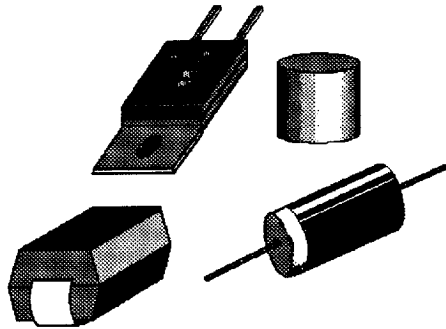


**100 to 230 Volt "TransTector" (Bi-Directional Surge Protector)**

2/94

**Description**

TTA SERIES



For Package Designation  
Use suffix as described below

TO220 Suffix = T

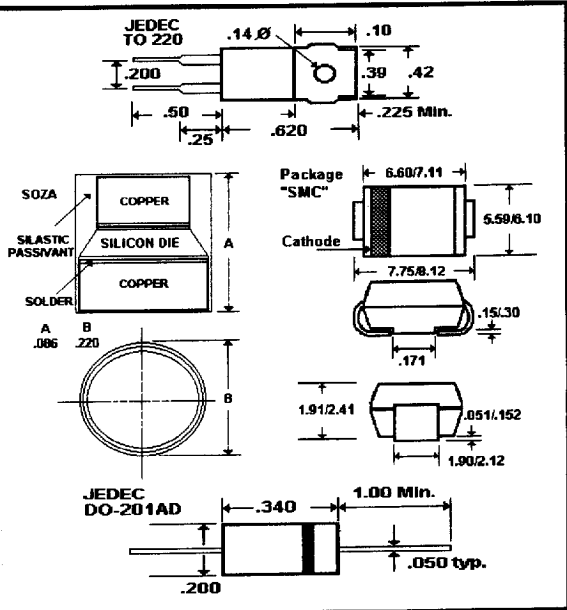
Soza Suffix = Z

DO201 Suffix = D

SMC Suffix = S

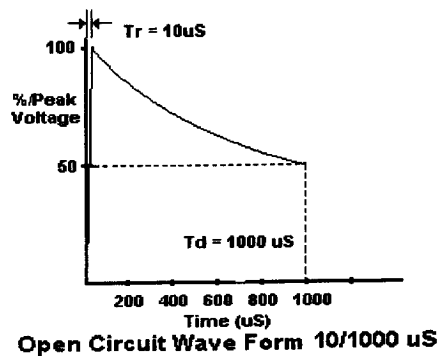
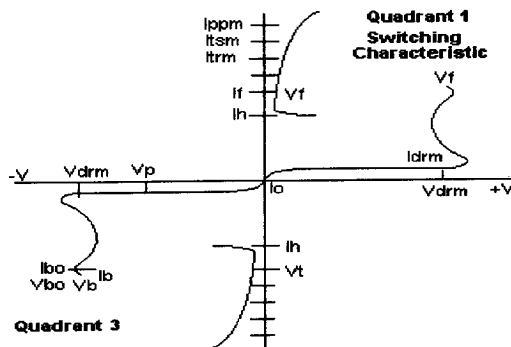
Example:- The TTA130 in SMD = TTA130S

**Mechanical Dimensions**



**Features**

- 100 AMP Surge Capability
- 130 mA Holding Current
- Low Capacitance
- High Ibo (Max. 300mA)
- Offered in TO220, DO201. SMC & Rugged SOZA Construction



**FCI Semiconductor**      **Advanced Data Sheet**      **TTA SERIES**  
**100 to 230 Volt "TransTector" (Bi-Directional Surge Protector)**

294

**Maximum Ratings & Electrical Characteristics @ 25 Deg. C.**

**Maximum Ratings**

Maximum Continuous Off-State Voltage..... VDRM      \_\_\_\_\_  
 Maximum Peak Pulse Current...IPP      \_\_\_\_\_  
 Maximum Instantaneous Voltage...      \_\_\_\_\_

**Electrical Characteristics**

Breakdown Voltage V(BR)..min.      \_\_\_\_\_  
 Breakover Voltage...V(BO)..max.      \_\_\_\_\_  
 Breakover Current...(BO)..max.      \_\_\_\_\_  
 Holding Current.....I(H)..min.      \_\_\_\_\_  
 Repetitive Peak Off-State Voltage... VDRM..max.      \_\_\_\_\_  
 Pulse Current...IPP      \_\_\_\_\_  
 Off-State Capacitance.....Co      \_\_\_\_\_  
 Repetitive Peak On-State Current....ITFM      \_\_\_\_\_  
 Repetitive Peak Off-State Current @ VDRM.....IDRM      \_\_\_\_\_  
 On-State Voltage at IT=2A      \_\_\_\_\_

Operating Temperature Range T(Amb)      \_\_\_\_\_  
 Maximum Junction Operating Temperature Range (Tj)      \_\_\_\_\_

TTA SERIES			
	TTA100	TTA150	TTA200
	100	150	200
Volts	130	180	230
Amps	180	235	285
Volts	300	300	300
Volts	130	130	130
mAmps	100	150	200
mAmps	100	100	100
Volts	150	150	150
Amps	10	10	10
pF	10	10	10
Amps	10	10	10
uAmps	3	3	3
Volts			
Deg. C.		-25 to 80	
Deg. C.		-25 to 125	

3719482 0000247 82T