



Model No.	OSPR6XX5-XXXXE1C1E
REV.	C1

Xeon Power 6W LED Module

Descriptions:

- Green light source, fast response
- Long life, easy installation
- LED model number: OSXXXXE1C1E

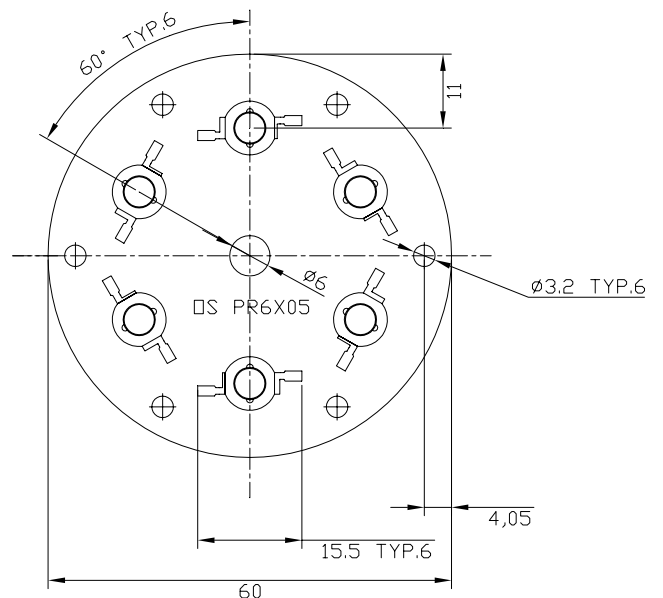
Features:

- Available in red, yellow, green, blue, white and warm white
- Super Bright
- Big Emitting Angle
- Superior ESD Protection
- Superior UV Resistance
- Can be equipped with lens: OS-OLSH6620P

Application:

- Small space lighting
- Mechanical equipment lights

Product Picture and Dimensions:



Unit: mm

Tolerance: $\pm 0.3\text{mm}$



Model No.	OSPR6XX5- XXXME1C1E
REV.	C1

Device Selection Guide

Module No.	Color	Wavelength (Typ.)		Condition	Overall Luminous Flux (Typ.)
R5XAE1C1E	Red	625 nm		IF=700mA	300 lm
G5XZE1C1E	Green	525 nm		IF=700mA	450 lm
B5XZE1C1E	Blue	470 nm		IF=700mA	90 lm
Y5XAE1C1E	Yellow	590 nm		IF=700mA	300 lm
W4XZE1C1E	White	X=0.31,Y=0.33	6500K	IF=700mA	600 lm
M5XZE1C1E	Warm White	X=0.45,Y=0.41	3000K	IF=700mA	540 lm

Absolute Maximum Ratings(Ta=25)

Items	Symbol	Values	Units
Operating supply range(DC)	V _{dc} (B, W, G)	12	V
	V _{dc} (R, Y)	9	
Input Current (DC)	I _i	800	mA
Power Dissipation	P _a (B, W, G)	9.6	W
	P _a (R, Y)	7.2	
Operating Temperature	T _{ope}	-10 ~ +40	DegC
Storage Temperature	T _{stg}	-20 ~ +80	DegC

Typical Performance (Ta=25)

Items	Symbol	Min.	Typ.	Max.	Units
LED Module Power	P _m (B, W, G)	-	7	9.6	w
	P _m (R, Y)		5.25	7.2	
Input Voltage(DC)	V _i (B, W, G)	-	10	12	V
	V _i (R, Y)		7.5	9	
Product Input Current	I _f	-	700	800	mA
Beam Pattern	BP	-	120	-	Deg
PCB Diameter	L _{mod.}	-	60	-	mm
Net Weight	Wei.	---	15.5	---	g