

# 8-bit multifunction data converter

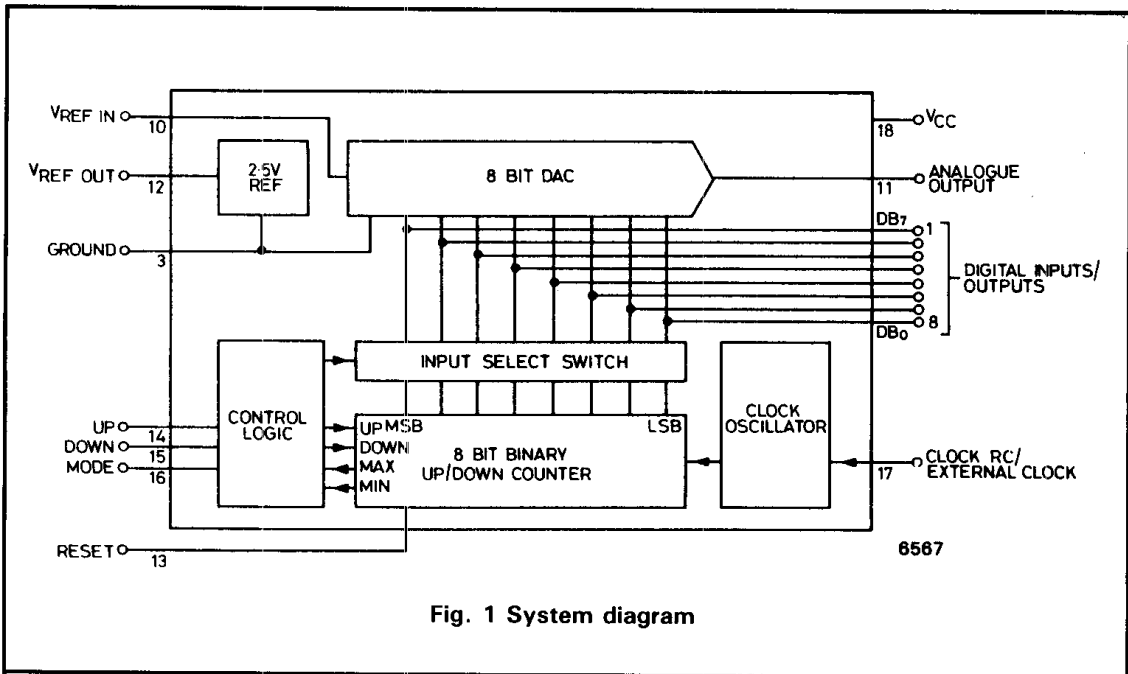
**ZN435E**  
**ZN435J**

## FEATURES

- Multimode device operates as:
  - DAC
  - ADC
  - Tracking ADC
  - Voltage to frequency converter
  - Ramp and sawtooth generator
  - Nonlinear waveform generator
  - Voltage-controlled oscillator
  - Track-and-hold circuit
- 8-bit accuracy
- 800ns D-A converter settling time
- On-chip up/down counter
- On-chip clock
- On-chip voltage reference
- Single +5V supply
- Commercial or military temperature range

## DESCRIPTION

The ZN435 is a versatile, multifunction 8-bit data conversion system. A voltage-output DAC, 8-bit up/down counter, stable 2.5V bandgap reference and clock generator are contained on a single chip.



# ZN435E ZN435J

## ABSOLUTE MAXIMUM RATINGS

Supply voltage . . . . .		+7.0V	
Max. voltage, logic and $V_{REF}$ inputs . . . . .		$V_{CC}$	
		Min.	Max.
Operating temperature range ZN435E . . . . .		0°C	+70°C
ZN435J . . . . .		-55°C	+125°C
Storage temperature range . . . . .		-55°C	+125°C

**ELECTRICAL CHARACTERISTICS** ( $V_{CC} = +5V$ ,  $V_{REF} = 1.5-3.0V$ ,  $T_{amb} = +25°C$  unless otherwise specified).

Parameter	Min.	Typ.	Max.	Units	Conditions
<b>D-A converter</b>					
Resolution	8	-	-	Bits	
Linearity error	-	$\pm 0.25$	$\pm 0.5$	LSB	$T_{min} T_{amb} T_{max}$
Differential linearity error	$\pm 0.25$		$\pm 1$	LSB	
Zero error	-	5.0	10.0	mV	ZN435E All bits OFF
	-	5.0	10.0	mV	ZN435J
Settling time to 0.5LSB	-	500	-	ns	All bits OFF to ON
	-	800	-	ns	or vice versa
Full-scale output	2.545	2.550	2.555	V	All bits ON $V_{REF} = 2.56V$
Output resistance	-	4	-	k $\Omega$	
Full-scale temperature coefficient	-	4	-	ppm/°C	Ext. $V_{REF} = 2.56V$
Reference voltage	0	-	3	V	

## ZN435E ZN435J

### ELECTRICAL CHARACTERISTICS (Cont.)

Parameter	Min.	Typ.	Max.	Units	Conditions
<b>On-chip voltage reference</b>					
Output voltage	2.4	2.59	2.7	V	$R_{REF} = 390\Omega$
Slope resistance	–	2	4	$\Omega$	$C_{REF} = 220nF$
Temperature coefficient of $V_{REF}$	–	50	–	ppm/ $^{\circ}C$	
Reference current	4	–	15	mA	
<b>Counter (with external clock)</b>					
High level threshold voltage $V_{T+}$	–	–	2.3	V	
Low level threshold voltage $V_{T-}$	1.7	–	–	V	
Maximum clock frequency	1	–	–	MHz	Note 1
<b>On-chip clock</b>					
Maximum frequency	500	–	–	kHz	
Clock frequency T.C.	–	100	–	ppm/ $^{\circ}C$	
Clock resistor	3.3	–	100	k $\Omega$	
Clock capacitor	100	–	–	pF	
High level threshold voltage $V_{T+}$	–	4.6	–	V	
Low level threshold voltage $V_{T-}$	–	1.5	–	V	
Supply rejection	–	0.8	–	%/V	
<b>Logic circuits</b>					
<b>BIT INPUTS</b>					
High level input voltage $V_{IH}$	2.0	–	–	V	
Low level input voltage $V_{IL}$	–	–	0.8	V	
High level input current $I_{IH}$	–	–	–100	$\mu A$	$V_{IN} = 2.4V$
Low level input current $I_{IL}$	–	–	–220	$\mu A$	$V_{IN} = 0.4V$
<b>BIT OUTPUTS</b>					
High level output voltage $V_{OH}$	–	5.0	–		No load
Low level output voltage $V_{OL}$	–	0.1	–		
High level output voltage $V_{OH}$	2.4	–	–	V	$I_{IH} = -40\mu A$
Low level output voltage $V_{OL}$	–	–	0.4	V	$I_{IL} = 2.5mA$

Note 1: Speeds of up to 1.7MHz may be obtained by reducing the mark space ratio of the clock.

# ZN435E ZN435J

## ELECTRICAL CHARACTERISTICS (Cont.)

Parameter	Min.	Typ.	Max.	Units	Conditions
<b>CONTROL INPUTS</b>					
High level input voltage $V_{IH}$	2	–	–	V	$V_{IN} = 2.4V$ $V_{IN} = 0.4V$
Low level input voltage $V_{IL}$	–	–	0.8	V	
High level input current $I_{IH}$	–	–	–25	$\mu A$	
Low level input current $I_{IL}$	–	–	–95	$\mu A$	
Reset pulse width	200	–	–	ns	
<b>Power supply</b>					
Supply voltage	4.5	5	5.5	V	$V_{CC} = 5.5V$
Supply current	–	35	45	mA	

## GENERAL CIRCUIT OPERATION

The ZN435 incorporates an 8-bit DAC based on a voltage switching R-2R ladder network. The reference voltage for this ladder may be derived from the on-chip precision bandgap reference, or an external reference voltage may be supplied.

The ZN435 also contains an 8-bit up/down counter and control logic. The DAC may receive its digital input data from the counter, the

counter outputs being simultaneously available at an 8-bit I/O port. Alternatively the counter outputs may be inhibited and the I/O port used to feed data direct to the DAC inputs.

An on-chip oscillator is provided to drive the clock input of the up/down counter. The on-chip clock may be overridden by an external clock signal.

## ZN435E ZN435J

### UP/DOWN COUNTER AND CONTROL LOGIC

The counter is a high-speed, synchronous up/down type, whose operation is determined by four control pins. The functions of the UP, DOWN and RESET inputs are fairly self explanatory, the MODE input determines the behaviour of the counter at zero and full-scale. When the MODE input is high the counter will reset to zero if it is clocked past full-scale in the UP direction and will reset to 255 if it is clocked past zero in the DOWN direction. When the MODE input is low the counter will stop on reaching full-scale or zero.

The normally invalid state of UP and DOWN inputs low simultaneously is also utilised in the ZN435. With the MODE input high and UP and DOWN inputs low the counter will cycle up and down continuously, reversing at full-scale and zero. With all three control inputs low the counter outputs are disabled and the DAC inputs accessible from the I/O port.

A truth table for the control inputs is given in Table 1.

Reset	Mode	Down	Up	Digital function	Analogue waveform
1	1	1	1	Counter stopped.	
1	1	1	0	Count up continuously.	
1	1	0	1	Count down continuously.	
1	1	0	0	Count up, reverse at F.S., count down, reverse at zero.	
1	0	1	1	Counter stopped.	
1	0	1	0	Count up, stop at F.S.	
1	0	0	1	Count down, stop at zero.	
X	0	0	0	DAC mode, counter output disabled. Counter can still be reset by taking reset input low.	
0	X	X	X	Counter reset. Does not affect analogue output in DAC mode.	

# ZN435E ZN435J

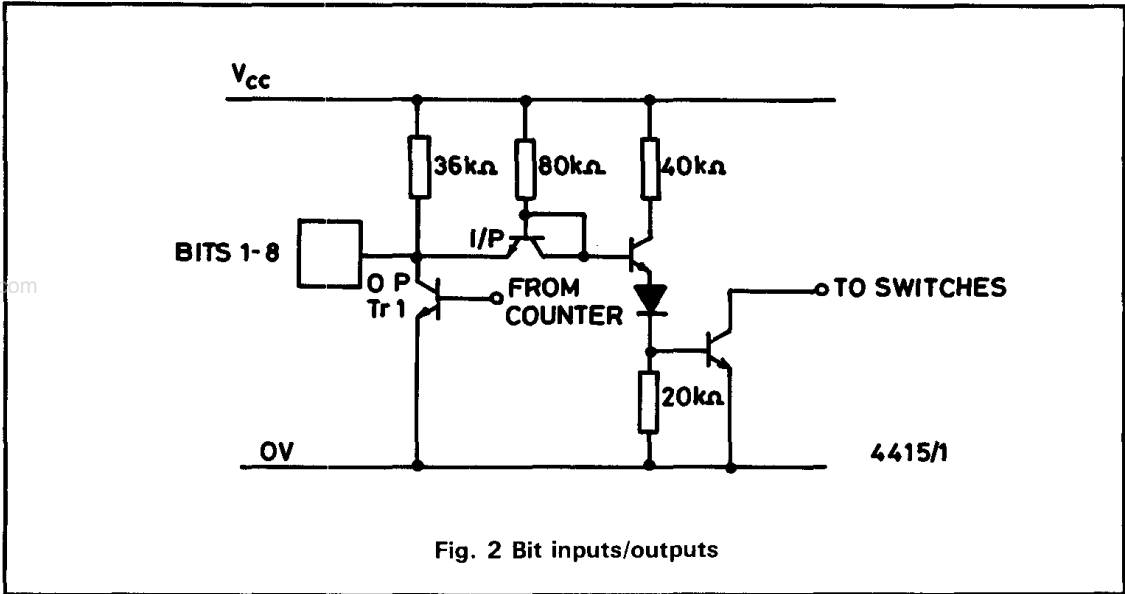


Fig. 2 Bit inputs/outputs

## DATA PORT

One bit of the data port is shown in Fig. 2. The input/output pin is the junction of the counter output buffer and the DAC input buffer.

Normally the DAC is driven from the counter and the counter data is also available at the port. However, when the counter outputs are disabled the output transistors are turned off and the DAC inputs may be accessed from the data port.

The data port can drive or be driven from B-series CMOS and all TTL families.

## CLOCK CIRCUIT

The on-chip clock circuit of the ZN435 is shown in Fig. 3.

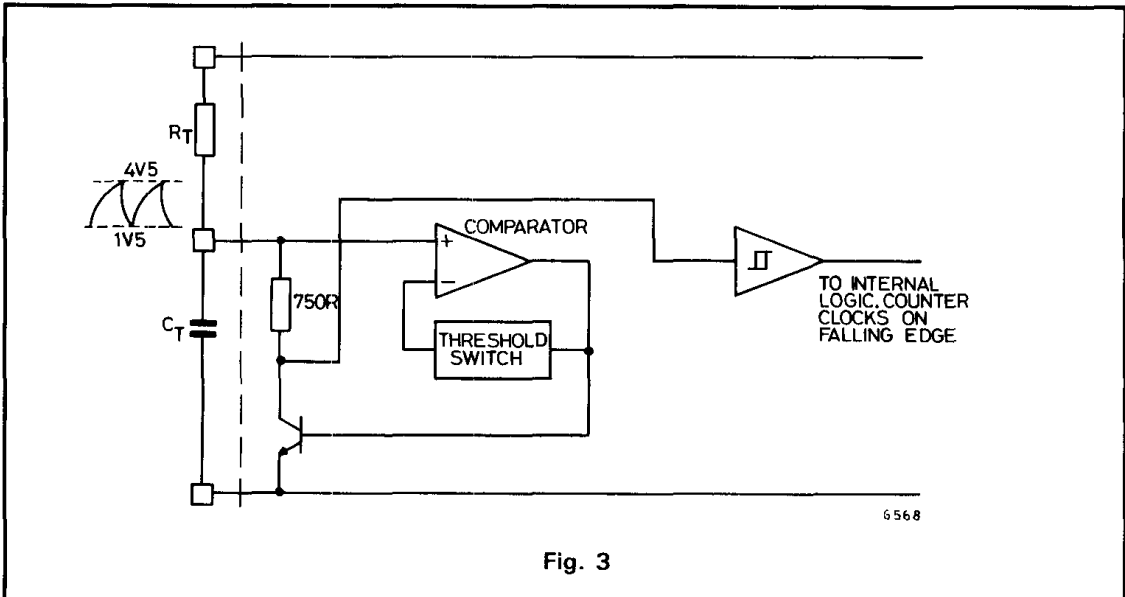


Fig. 3

# ZN435E ZN435J

The frequency of the clock is given by  $f_{CLK} \approx \frac{1}{2R_T C_C}$  (Hz,  $\Omega, F$ )

Typical graphs of oscillator frequency versus resistor and capacitor values are given in Fig. 4.

F CLK

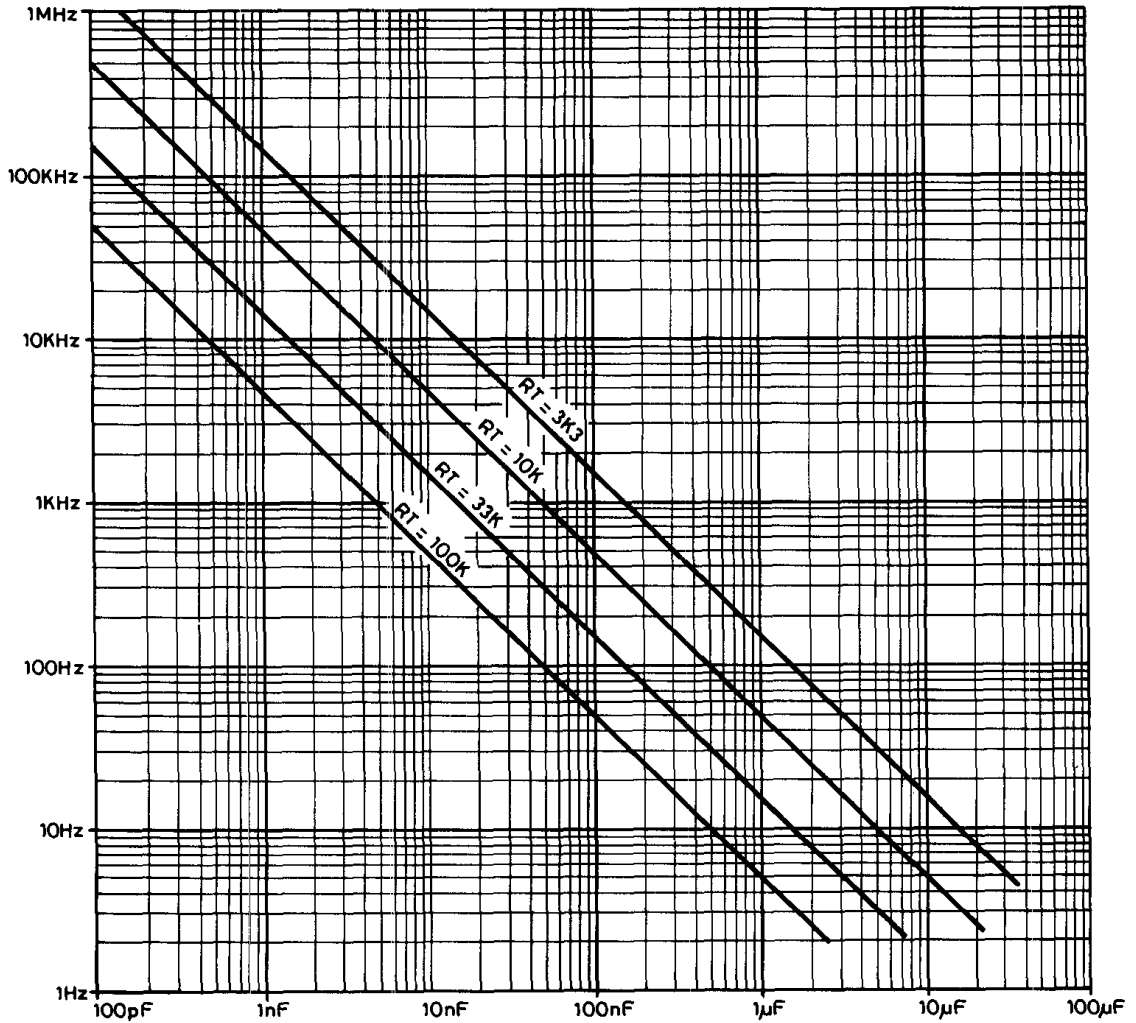


Fig. 4

CT 7036

## ZN435E ZN435J

The external capacitor  $C_T$  is charged via the external resistor  $R_T$  to the upper threshold of the comparator (about +4.5V with  $V_{CC} = +5V$ ). The comparator turns on the discharge transistor to discharge  $C_T$  and switches its threshold to the lower value of about 1.5V. When the voltage on  $C_T$  has fallen to this level the comparator turns off the discharge transistor

and the cycle repeats.

The clock can be overdriven from either a TTL totem-pole output (Fig. 5a), an open collector output (Fig. 5b), or a CMOS gate (Fig. 5c). In all three cases the  $V_{OH}$  of the driving gate must be attenuated to below 4.5V so that the internal discharge transistor is not turned on.

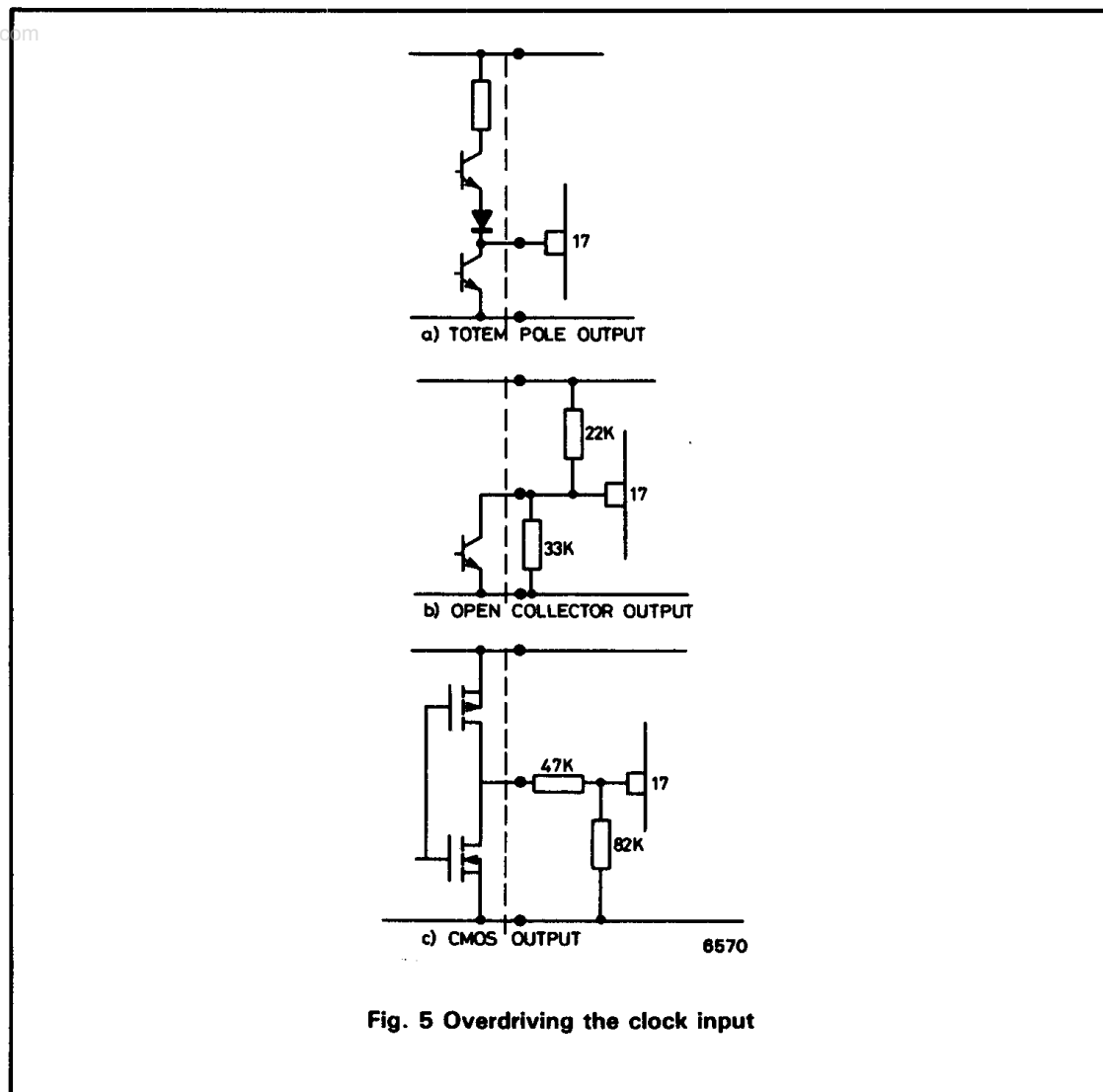


Fig. 5 Overdriving the clock input



# ZN435E ZN435J

## ANALOGUE CIRCUITS

### D-A converters

The DAC is of the voltage switching type and uses an R-2R ladder network as shown in Fig. 6.

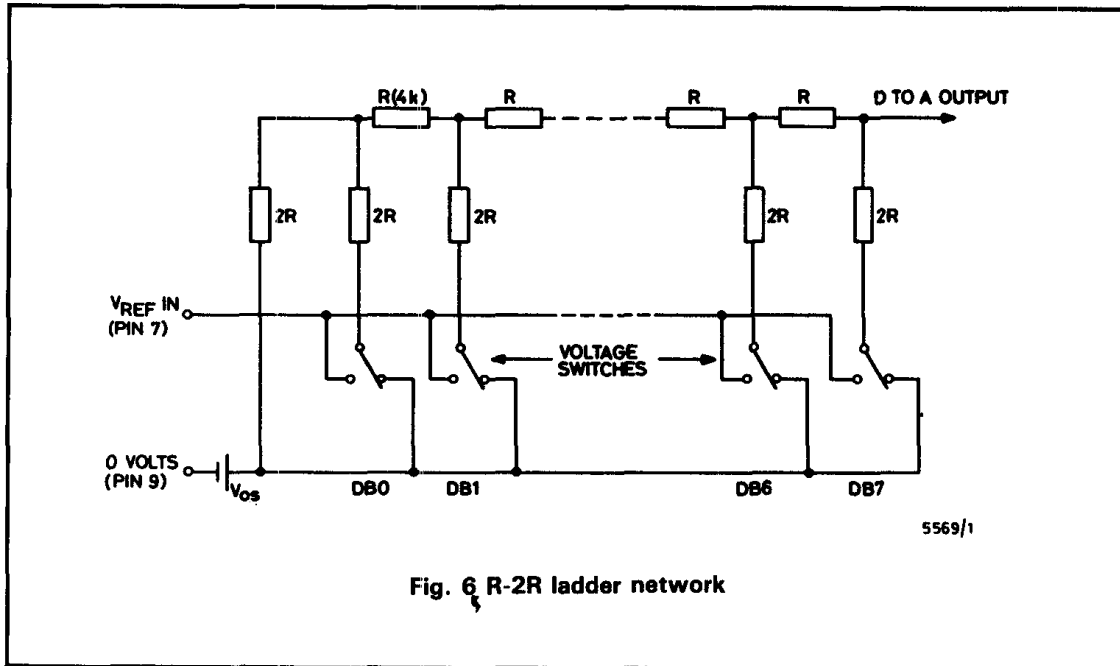


Fig. 6 R-2R ladder network

Each  $2R$  element is connected to either  $0V$  or  $V_{REF IN}$  by transistor voltage switches specially designed for low offset voltage ( $< 1mV$ ). A binary weighted voltage is produced at the output of the R-2R ladder.

$$V_{OUT} = \frac{n}{256} (V_{REF IN} - V_{OS}) + V_{OS}$$

where  $n$  is the digital input from the counter or data port.

$V_{OS}$  is a small offset voltage that is produced by the device supply current flowing in the package lead resistance. The value of  $V_{OS}$  is typically  $5mV$  for both the ZN435E and ZN435J.

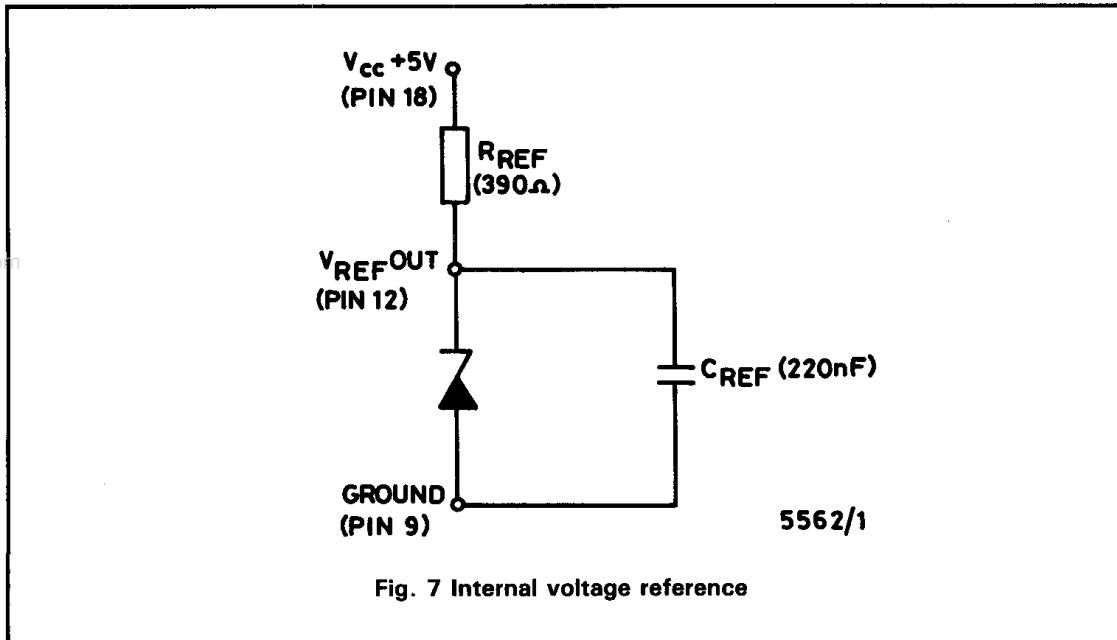
This offset will normally be removed by the setting up procedure and since the offset temperature coefficient is small the zero drift will be small. The DAC output range can be considered to be  $0V$  to  $V_{REF IN}$  with an output resistance  $R$  ( $4k\Omega$ ).

## REFERENCE

### On-chip reference

The internal reference is an active bandgap circuit which is equivalent to a  $2.5V$  zener diode with a very low slope impedance (Fig. 7).

## ZN435E ZN435J



An external resistor ( $R_{REF}$ ) should be connected between pins 12 and 18 to bias up the on-chip reference, whilst a stabilising/decoupling capacitor ( $C_{REF}$ ) is required between pins 12 and 9.

To use the internal reference  $V_{REF OUT}$  (pin 12) is connected to  $V_{REF IN}$  (pin 10).

The recommended reference resistor of  $390\Omega$  will supply a nominal reference current of  $6.4\text{mA}$  which is sufficient to drive the reference inputs of up to five ZN435's. Where several ZN435's are used in a system this useful feature can save up to four resistors and capacitors as well as reducing power consumption and giving excellent gain tracking.

### APPLICATIONS

The applications of the ZN435 are too many and

varied to detail in this data sheet. However a few basic configurations are illustrated. It should be noted that there is a danger of obtaining incorrect codes if the up/down control lines change at the same time as the active negative edge of the clock. Therefore if these control lines are changing asynchronously then extra circuitry should be used to prevent them changing at the negative edge of the clock. This is best achieved by latching these signals using positive edge triggered D-type flip-flops as is demonstrated in the circuit diagrams of Figs. 9 and 10.

### WAVEFORM GENERATOR

The circuit of a low frequency waveform generator is illustrated in Fig. 8.

# ZN435E ZN435J

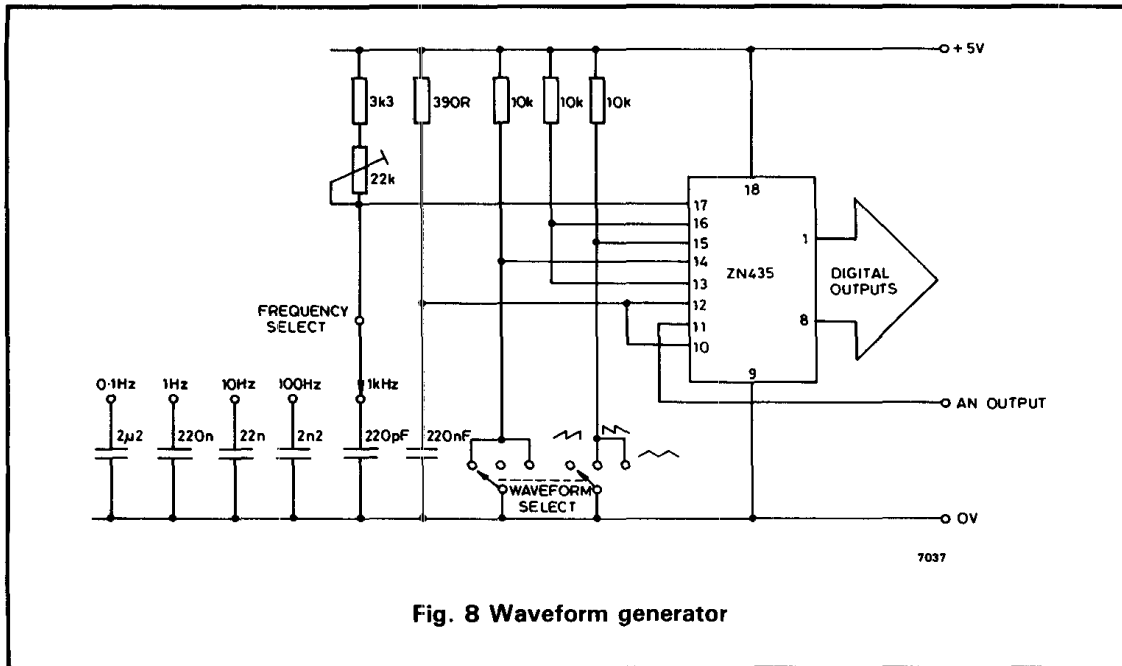


Fig. 8 Waveform generator

**Note:** The frequencies given above apply to the sawtooth waveforms. For the triangular waveforms divide the frequencies above by two.

This will produce stable, linear, sawtooth and triangle waveforms.

## RAMP AND COMPARE A-D CONVERTER

A simple ramp and compare A-D converter can be constructed using the ZN435 as shown below.

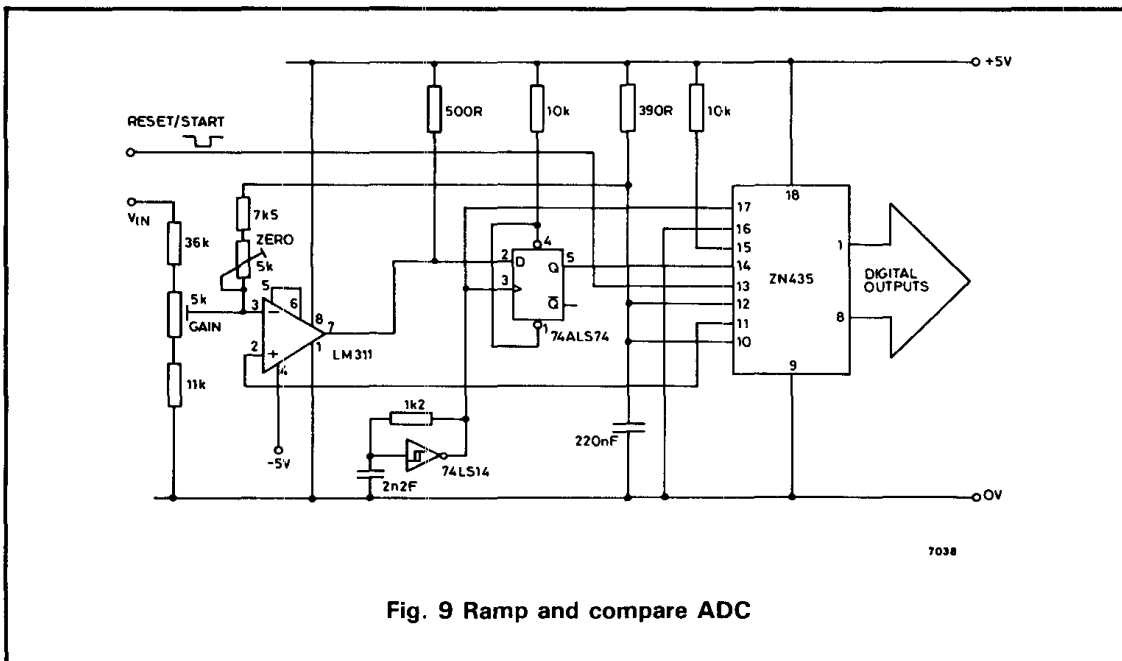


Fig. 9 Ramp and compare ADC

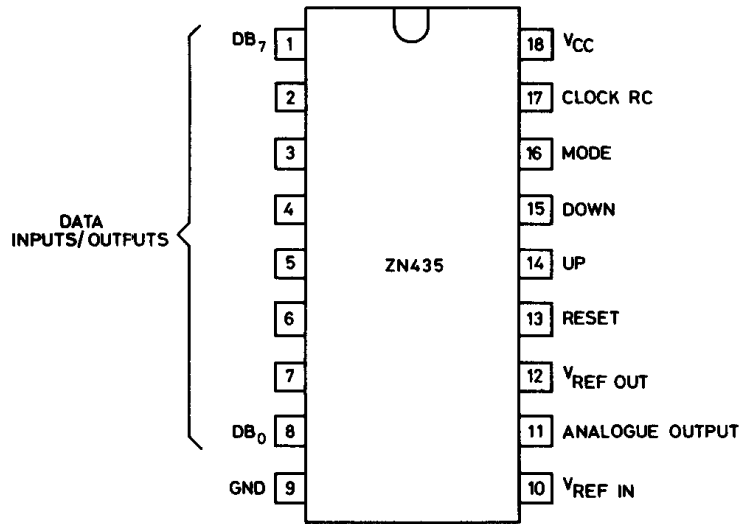
## ZN435E

In this circuit two LM311 op-amps are used to make a window comparator. This has a dead-band equal to one LSB of the DAC output (10mV), which is set by adjusting the offset of A1 until its threshold is 10mV above that of A2. This is easily achieved by applying a stable voltage at the input. Then with the ZN435 removed, applying a variable voltage to pin 11 on the ZN435 socket. By varying this voltage and monitoring the op-amp outputs the window can be adjusted so that the threshold of A1 is 10mV above that of A2.

Whenever the analogue voltage is above the threshold of A2 the counter will count up so that the DAC output increases to follow the analogue voltage. Whenever the analogue voltage is below the threshold of A1 the counter will count down so that the DAC output decreases to follow the analogue voltage. When the analogue voltage is between the two thresholds the outputs of A1 and A2 will be high and the counter will be stopped. Again the input voltage range is  $\pm 10V$ , other ranges being possible by suitable choice of input resistors.

# ZN435E ZN435J

## PIN CONNECTIONS



6574