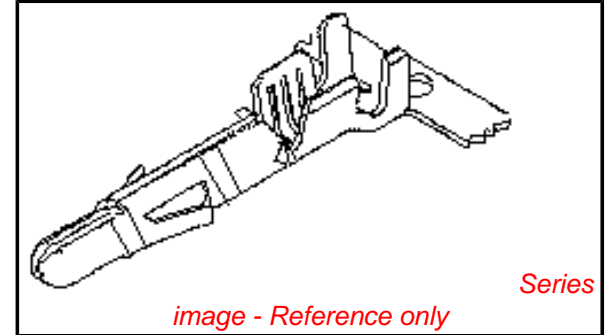


**PLEASE CHECK WWW.MOLEX.COM FOR LATEST PART INFORMATION**

**Part Number:** [0357306810](#)  
**Status:** **Active**  
**Description:** 1.30mm (.051") Diameter Pin Terminal, Brass, 0.25mm (.010") Thickness, Wire Range 20-26 AWG (0.52-0.13mm<sup>2</sup>), Pre-Tin Plated

**Documents:**

<a href="#">Drawing (PDF)</a>	<a href="#">Product Specification PS-35953-001 (PDF)</a>
<a href="#">Product Specification PS-35730-002 (PDF)</a>	<a href="#">RoHS Certificate of Compliance (PDF)</a>



**General**

Product Family	Crimp Terminals
Series	<a href="#">35730</a>
Crimp Quality Equipment	Yes
Product Name	N/A

**Physical**

Gender	Male
Material - Metal	Brass
Material - Plating Mating	Tin
Material - Plating Termination	Tin
Packaging Type	Reel
Termination Interface: Style	Crimp or Compression
Wire Insulation Diameter	1.30-2.60mm (.051-.102")
Wire Size AWG	20, 22, 24, 26
Wire Size mm <sup>2</sup>	N/A

**Material Info**

**Reference - Drawing Numbers**

Product Specification	PS-35730-002, PS-35953-001
Sales Drawing	SD-35730-**10

**EU RoHS**

**ELV and RoHS  
Compliant**  
**REACH SVHC**  
**Contains SVHC: No**  
**Halogen-Free  
Status**

**China RoHS**



**Need more information on product  
environmental compliance?**

Email [productcompliance@molex.com](mailto:productcompliance@molex.com)  
 For a multiple part number RoHS Certificate of Compliance, [click here](#)

Please visit the [Contact Us](#) section for any non-product compliance questions.

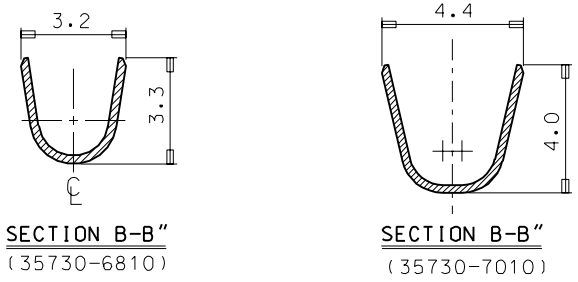
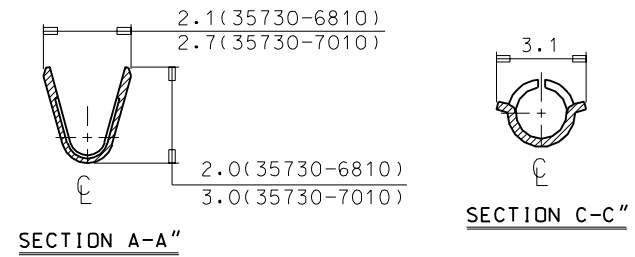
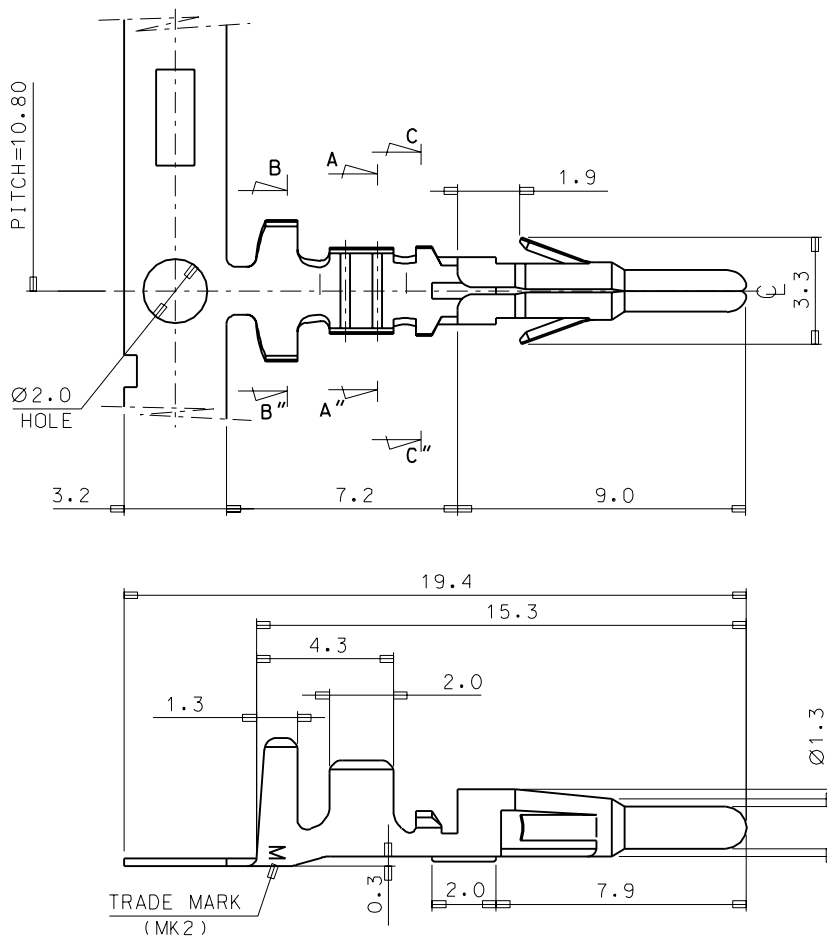
**Search Parts in this Series**

[35730Series](#)

**Mates With**

[35730-6910](#)

DWG. NO. SD-35730-001  
 PROJECT NO. SIMILAR ITEM  
 DO NOT SCALE DRAWING DIMENSION IN METRIC



ENG. NO.	MATERIAL NO.	WIRE RANG	INSUL. RANGE
35730-6810	357306810	AWG #26-#20	1.3-2.6
35730-7010	357307010	AWG #20-#16	1.9-3.4

- NOTES
1. MATERIAL: BRASS , 0.25THICKNESS
  2. PLATING: PRE-TIN PLATING
  3. MATING TERMINAL: 35730-6910/7110
  4. RECOMMENDED LENGTH OF WIRE STRIP IS 3.0-3.5

REVISED EC NO. KOR 1999-0120 DRAWN: H.-C. RHO 99.12.29 CHK: B.-K. CHOI APPR: C.-W. LEE	QUALITY SYMBOLS MAJOR CRITICAL	GENERAL TOLERANCES: (UNLESS SPECIFIED)		SCALE	DESIGN UNITS	THIRD ANGLE PROJECTION	DIMENSIONS:		SHT	REV	
		mm	INCH	7:1	<input checked="" type="checkbox"/> mm <input type="checkbox"/> INCH		<input type="checkbox"/> mm <input type="checkbox"/> INCH <input checked="" type="checkbox"/> mm ONLY	REVISE ON CAD ONLY			
		4 PLACES	±0.	±.	DRAWN BY & DATE W. Y. YANG		TITLE: Ø1.3 PIN TERMINAL				
		3 PLACES	±0.	±.	CHECKED BY & DATE B. K. CHOI						
2 PLACES	±0.20	±.	APPROVED BY & DATE C. W. LEE		MOLEX INCORPORATED KOREA		MATERIAL NO. SEE CHART		DRAWING NO. SD-35730-001	SHEET NO. 1 OF 1	
1 PLACE	±0.30	±.	ANGULAR: ± 1 °		CAD FILENAME E7306810		SIZE B		THIS DRAWING CONTAINS INFORMATION THAT IS PROPRIETARY TO MOLEX INCORPORATED AND SHOULD NOT BE USED WITHOUT WRITTEN PERMISSION.		
REV	DESCRIPTION	DRAFT WHERE APPLICABLE MUST REMAIN WITHIN DIMENSIONS									