

PLEASE CHECK WWW.MOLEX.COM FOR LATEST PART INFORMATION

Part Number: [0050362323](#)
Status: **Active**
Overview: [minifit_bmi](#)
Description: 4.20mm (.165") Pitch Mini-Fit BMI™ Plug Housing, Dual Row, White, UL 94V-2, 8 Circuits

Documents:

[3D Model](#) [Product Specification PS-5556-002 \(PDF\)](#)
[Drawing \(PDF\)](#) [RoHS Certificate of Compliance \(PDF\)](#)

General

Product Family	Crimp Housings
Series	42475
Comments	Current = 13A max. per circuit when header is mated to a receptacle loaded with 45750 series terminals crimped to 16 AWG wire. . See Molex product specification PS-45750-001 for additional current derating information.
Overview	minifit_bmi
Product Name	Mini-Fit BMI™

Physical

Circuits (maximum)	8
Color - Resin	Natural
Gender	Male
Glow-Wire Compliant	No
Lock to Mating Part	Yes
Material - Resin	Nylon
Number of Rows	2
Packaging Type	Bag
Panel Mount	Yes
Pitch - Mating Interface (in)	0.165 In
Pitch - Mating Interface (mm)	4.20 mm
Polarized to Mating Part	Yes
Stackable	No
Temperature Range - Operating	-40°C to +105°C

Electrical

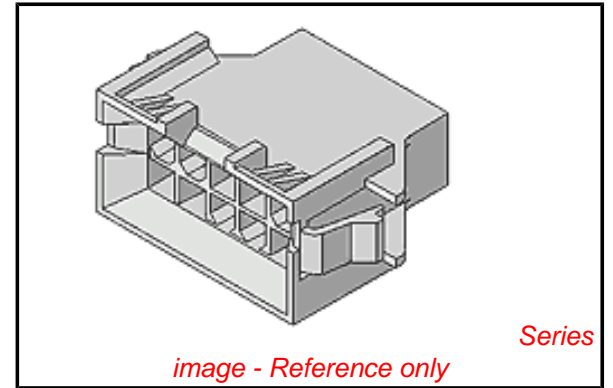
Current - Maximum per Contact	13A
-------------------------------	-----

Material Info

Old Part Number	42475-0821
-----------------	------------

Reference - Drawing Numbers

Packaging Specification	PK-42474-001
Product Specification	PS-5556-002
Sales Drawing	SD-42475-***1
Test Summary	TS-5556-002



EU RoHS

ELV and RoHS Compliant
REACH SVHC
 Not Reviewed
Halogen-Free Status

China RoHS



Halogen-Free

Need more information on product environmental compliance?

Email productcompliance@molex.com
 For a multiple part number RoHS Certificate of Compliance, [click here](#)

Please visit the [Contact Us](#) section for any non-product compliance questions.

Search Parts in this Series

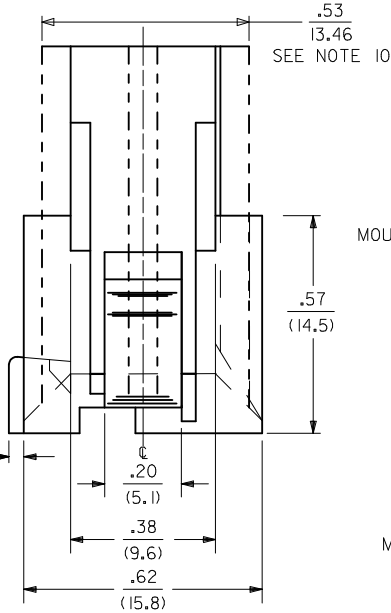
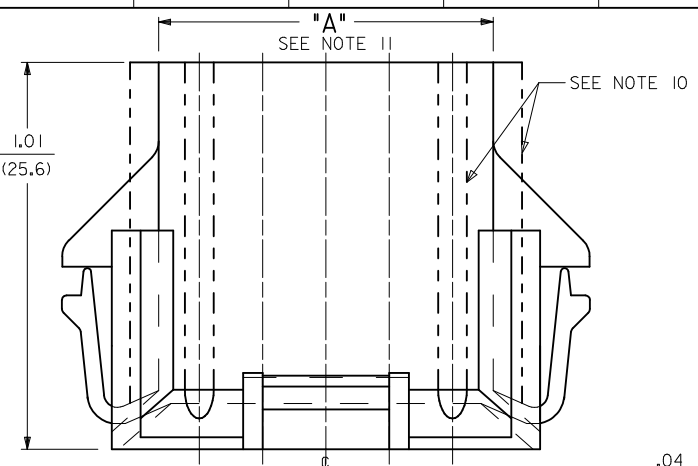
[42475Series](#)

Mates With

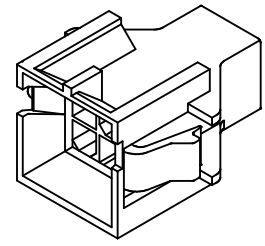
Mini-Fit Jr.™ Receptacle Housing [5557](#) ,
 Mini-Fit BMI™ Receptacle Header [42385](#) ,
 Mini-Fit BMI™ Receptacle Housing [42474](#)

Use With

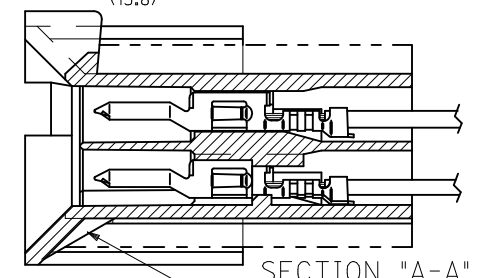
[46012](#) Mini-Fit Plus HCS™ Crimp Terminal,
[5558](#) Mini-Fit™ Crimp Terminal



42475-***1
MOUNTING EAR DESIGN "A"
(SEE NOTE 9)

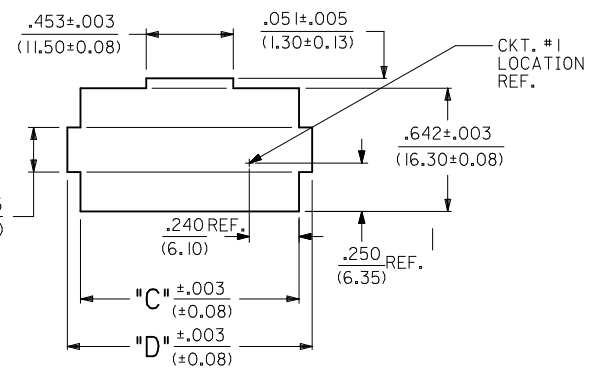


42475-***1
MOUNTING EAR DESIGN "B"
(SEE NOTE 9)



SECTION "A-A"
TERMINAL ORIENTATION

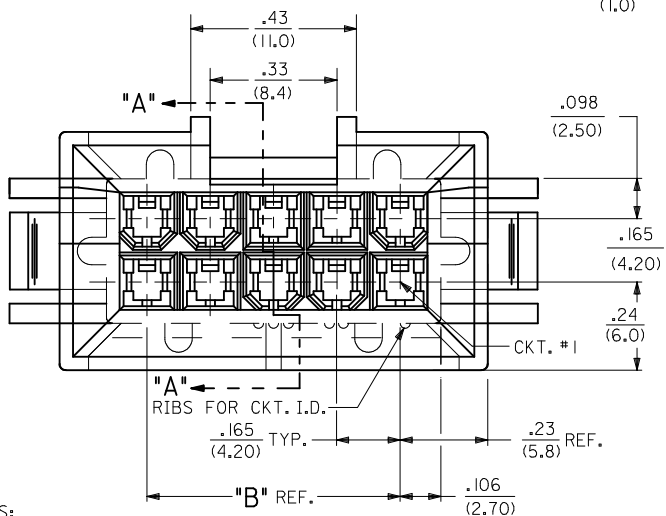
SEE NOTE #13



RECOMMENDED CUT-OUT FOR .063/(1.60)
MAX. THICK P.C. BOARD. (6-24 CKT.'S.)

SCALE: 2X

CIRCUIT SIZE	DIM. "A"	DIM. "B"	DIM. "C"	DIM. "D"
6	.54 (13.8)	.33 (8.4)	.807 (20.50)	.945 (24.00)
8	.71 (18.0)	.50 (12.6)	.972 (24.70)	1.110 (28.20)
10	.87 (22.2)	.66 (16.8)	1.138 (28.90)	1.276 (32.40)
12	1.04 (26.4)	.83 (21.0)	1.303 (33.10)	1.441 (36.60)
14	1.20 (30.6)	.99 (25.2)	1.469 (37.30)	1.606 (40.80)
16	1.37 (34.8)	1.16 (29.4)	1.643 (41.50)	1.772 (45.00)
18	1.54 (39.0)	1.32 (33.6)	1.799 (45.70)	1.937 (49.20)
20	1.70 (43.2)	1.49 (37.8)	1.965 (49.90)	2.102 (53.40)
22	1.87 (47.4)	1.65 (42.0)	2.130 (54.10)	2.268 (57.60)
24	2.03 (51.6)	1.82 (46.2)	2.295 (58.30)	2.433 (61.80)



NOTES:

- 1) MATERIAL:
 - 1 = NYLON (PA6/6), UNFILLED, UL94 V-2, COLOR: NATURAL
 - 2 = NYLON (PA6/6), UNFILLED, UL94 V-0, COLOR: NATURAL
 - 3 = NYLON (PA6/6), UNFILLED, UL94 V-2, COLOR: BLACK
 - 4 = NYLON (PA6/6), UNFILLED, UL94 V-0, COLOR: BLACK
- 2) FINISH NOT APPLICABLE.
- 3) THIS PART CONFORMS TO MOLEX PRODUCT SPEC. NO. PS-5556-002.
- 4) PACKAGING: PK-42474-001
- 5) 6-24 CKT. PARTS MATE WITH MOLEX RECEPTACLES 5557, 42385 AND 42474. 2 AND 4 CKT. PARTS MATE WITH 42385 AND 42474 ONLY.
- 6) PART IS FOR USE WITH MALE TERMINAL #5558.
- 7) PART ALLOWS FOR UP TO .100/(2.54) MISALIGNMENT WITH MATING RECEPTACLE IN ANY DIRECTION. SEE MATING CONNECTOR DRAWINGS FOR SPECIFIC ALLOWANCES.
- 8) PANEL CUT-OUT TO BE PUNCHED IN THE SAME DIRECTION AS CONNECTOR INSERTION.
- 9) PARTS MANUFACTURED AFTER 95/12/31 MAY HAVE MOUNTING EAR DESIGN "B" PARTS WITH MOUNTING EAR DESIGN "A" WILL BE OBSOLETE AS TOOL LIFE DICTATES. IN SOME CASES, PARTS MAY BE AVAILABLE WITH BOTH MOUNTING EAR DESIGNS. SEE CHART ON SHEET 4 FOR SPECIFIC EAR DESIGN AVAILABILITY.

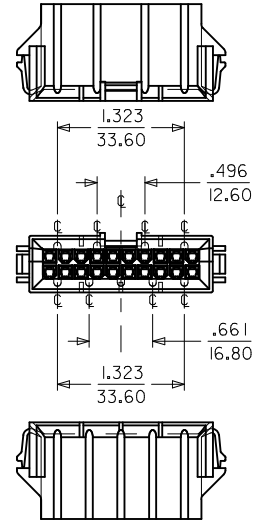
- 10) FOR MANUFACTURING EASE PARTS MAY HAVE OPTIONAL EJECTOR RIBS. SEE SHT. 3 FOR LOCATION.
- 11) DIMENSION DOES NOT INCLUDE EJECTOR RIBS (SEE PAGE #3 FOR PARTS WITH RIBS, RIB DIMENSIONS AND LOCATION).
- 12) IF THIS PRODUCT IS STORED IN AN ENVIRONMENT WITH A RELATIVE HUMIDITY OF LESS THAN 50%, MOISTURE MUST BE ADDED. REFER TO TECHNICAL ADVISORY AS-45499-001 FOR INSTRUCTIONS.
- 13) INTERIOR RIB LOCATION MAY VARY.

- 14) CONNECTOR ASSEMBLIES ARE NOT TO BE MATED OR UNMATED WHILE CIRCUITS ARE LIVE.
- 15) WIRES ARE TO BE DRESSED IN SUCH A MANNER TO ALLOW THE TERMINALS TO FLOAT FREELY IN THE POCKET.
- 16) PART CONFORMS TO CLASS "B" REQUIREMENTS OF COSMETIC SPECIFICATION PS-45499-022.

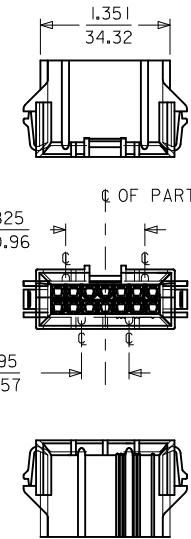
4	S7
3	S7
2	S6
1	S7
SHEET REV	

ADD -0641 EC NO: UCP2010-3048 DRWNG: JAGUILAR 2010/05/28 CHKD: J.BELL 2010/05/28 APPR: FSMITH 2010/06/11 REV S7	QUALITY SYMBOLS	GENERAL TOLERANCES (UNLESS SPECIFIED)	DIMENSION STYLE IN/MM	SCALE 4:1	DESIGN UNITS METRIC	THIRD ANGLE PROJECTION
	▽=0	mm INCH	DRAWN BY DATE GEP 1989/07/18	TITLE PLUG HOUSING B.M.I. 2-24 CIRCUITS MINI-FIT SERIES	MOLEX INCORPORATED DOCUMENT NO. SD-42475-***1 SHEET NO. 1 OF 4	THIS DRAWING CONTAINS INFORMATION THAT IS PROPRIETARY TO MOLEX INCORPORATED AND SHOULD NOT BE USED WITHOUT WRITTEN PERMISSION
	▽=0	4 PLACES ± --- ± --- 3 PLACES ± --- ± .010 2 PLACES ± 0.25 ± .015 1 PLACE ± 0.38 ± --- ANGULAR ± 1/2°	CHECKED BY DATE R.J.F. 1989/07/18			
	▽=0	DRAFT WHERE APPLICABLE MUST REMAIN WITHIN DIMENSIONS	APPROVED BY DATE FSMITH 2010/03/17	SEE SHEET 4		

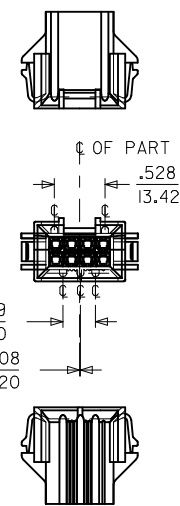
SEE SHEET 2 FOR 2 & 4 CKT. PARTS



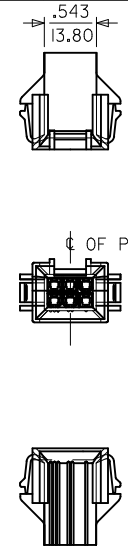
20 CIRCUIT



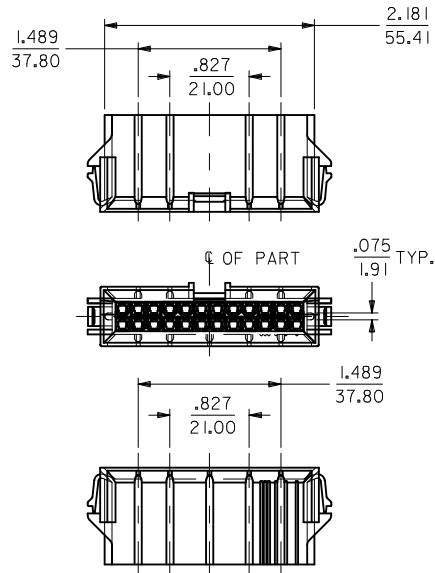
OR



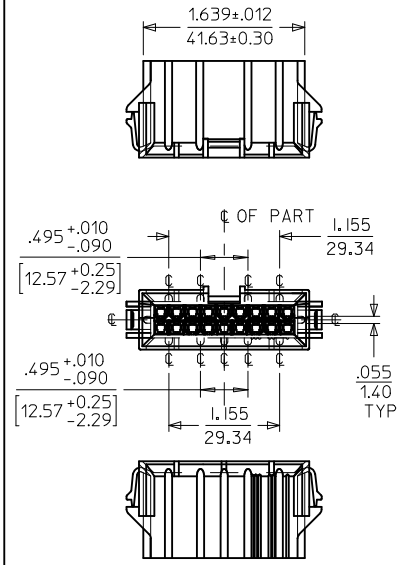
8 CIRCUIT



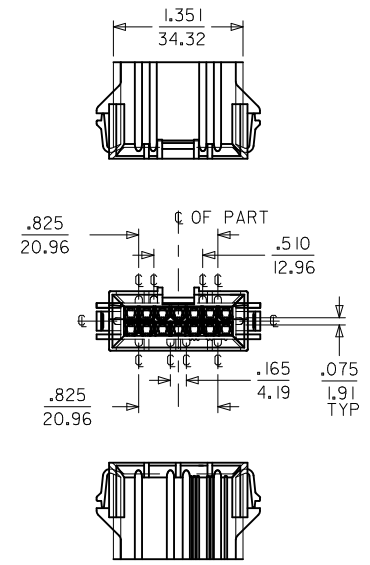
6 CIRCUIT



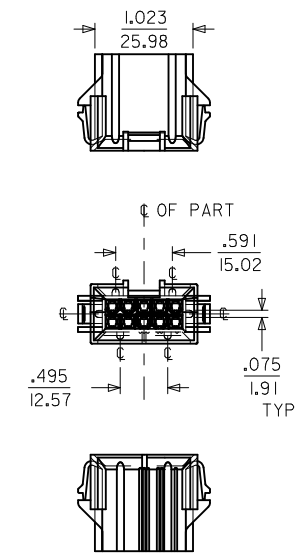
24 CIRCUIT



18 CIRCUIT



14 CIRCUIT



10 CIRCUIT

NOTES:

1) DIMENSIONS GIVEN ACROSS CENTERLINES ARE SYMMETRICAL ABOUT THOSE CENTERLINES WITHIN HALF THE TOTAL TOLERANCE.

SEE SHEET 1	QUALITY SYMBOLS
EC NO: UCP2010-3048	▽=0
DRWN: JAGUILAR	▽=0
CHKD: J BELL	▽=0
APPR: F SMITH	
REV	

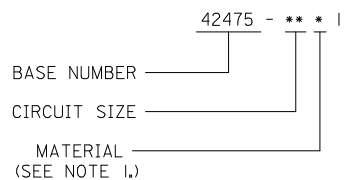
GENERAL TOLERANCES (UNLESS SPECIFIED)	
	ANGULAR ±1/2°
DRAFT WHERE APPLICABLE MUST REMAIN WITHIN DIMENSIONS	

DIMENSION STYLE	
IN/MM	
DRAWN BY	DATE
CM	1998/04/16
CHECKED BY	DATE
MAB	1998/04/16
APPROVED BY	DATE
RE	1998/04/16
MATERIAL NO.	
SEE SHEET 4	
SIZE	
C	

SCALE	DESIGN UNITS	THIRD ANGLE PROJECTION
---	METRIC	
TITLE		
PLUG HOUSING B.M.I		
2-24 CIRCUITS		
MINI-FIT SERIES		
MOLEX INCORPORATED		
DOCUMENT NO.		SHEET NO.
SD-42475-***1		3 OF 4
THIS DRAWING CONTAINS INFORMATION THAT IS PROPRIETARY TO MOLEX INCORPORATED AND SHOULD NOT BE USED WITHOUT WRITTEN PERMISSION		

	13	12	11	10	9	8	7	6	5	4	3	2	1		
	PART NUMBER	ENG. NUMBER	CKT. SIZE	MATERIAL (SEE NOTE 1.)	PART NUMBER	CKT. SIZE	MATERIAL (SEE NOTE 1.)	MOUNTING EAR TYPE							
								CKT. SIZE	DESIGN A, DESIGN B (SEE SHEET I)						
J	NOT TOOLED	42475-0211	2	I	NOT TOOLED	2	3			42475-***2I, 5558-GS*	42474-***2I, 5556-PBGS*P	94V-0	PHOS. BRZ.	GOLD	
	I5-06-0045	42475-0411	4	↑	42475-0431	4	↑	2	N/A	42475-***1I, 5558-GS*	42474-***1I, 5556-PBGS*P	94V-2	BRASS	GOLD	
	I5-06-0065	42475-0611	6		42475-0631	6		4	B	42475-***2I, 5558-GS*	42474-***2I, 5556-GS*P	94V-0	PHOS. BRZ.	TIN	
	I5-06-0085	42475-0811	8		42475-0831	8		6	B	42475-***1I, 5558-PBS*	42474-***1I, 5556-PBS*P	94V-2	BRASS	TIN	
I	I5-06-0105	42475-1011	10		42475-1031	10		8	A	42475-***2I, 5558-S*	42474-***2I, 5556-S*P	94V-0	PHOS. BRZ.	GOLD	
	NOT TOOLED	42475-1211	12		NOT TOOLED	12		10	B	42475-***1I, 5558-GS*	A-42385-***D2	94V-0	BRASS	GOLD	
	I5-06-0145	42475-1411	14		42475-1431	14		12	N/A	42475-***2I, 5558-GS*	A-42385-***B2	94V-2	PHOS. BRZ.	TIN	
	NOT TOOLED	42475-1611	16		NOT TOOLED	16		14	B	42475-***1I, 5558-GS*	A-42385-***A2	94V-0	BRASS	TIN	
H	I5-06-0185	42475-1811	18		42475-1831	18		16	N/A	42475-***2I, 5558-PBS*	A-42385-***D1	94V-2	PHOS. BRZ.	TIN	
	I5-06-0205	42475-2011	20		42475-2031	20		18	A & B	42475-***1I, 5558-PBS*	A-42385-***C1	94V-0	BRASS	TIN	
	NOT TOOLED	42475-2211	22	↓	NOT TOOLED	22	↓	20	A	42475-***2I, 5558-S*	A-42385-***B1	94V-2			
	I5-06-0245	42475-2411	24	I	42475-2431	24	3	22	N/A	42475-***1I, 5558-S*	A-42385-***A1	94V-0			
G								24	B	PLUG HOUSING/ MALE TERMINAL		MATING CONNECTOR	HSG. MAT'L.	TERM. MAT'L.	PLATING
	NOT TOOLED	42475-0221	2	2	NOT TOOLED	2	4			MATING CONNECTOR FEATURES					
	I5-06-0046	42475-0421	4	↑	42475-0441	4	↑								
	I5-06-0066	42475-0621	6		42475-0641	6									
F	50-36-2323	42475-0821	8		42475-0841	8									
	I5-06-0106	42475-1021	10		42475-1041	10									
	NOT TOOLED	42475-1221	12		NOT TOOLED	12									
E	I5-06-0146	42475-1421	14		42475-1441	14									
	NOT TOOLED	42475-1621	16		NOT TOOLED	16									
	I5-06-0186	42475-1821	18		42475-1841	18									
	I5-06-0206	42475-2021	20		42475-2041	20									
D	NOT TOOLED	42475-2221	22	↓	NOT TOOLED	22	↓								
	I5-06-0246	42475-2421	24	2	42475-2441	24	4								

LEGEND:



ADD -0641 EC NO: UCP2010-3048 DRWN: JAGUILAR 2010/05/28 CHKD: J.BELL 2010/05/28 APPR: FSMITH 2010/06/11	QUALITY SYMBOLS	GENERAL TOLERANCES (UNLESS SPECIFIED)	DIMENSION STYLE	SCALE	DESIGN UNITS	THIRD ANGLE PROJECTION
	▽=0	mm INCH	IN/MM	---	METRIC	
	▽=0	4 PLACES ± --- ± ---	DRAWN BY DATE	TITLE		
	▽=0	3 PLACES ± --- ± .010	GEP 1989/07/18	PLUG HOUSING B.M.I. 2-24 CIRCUITS, MINI-FIT SERIES		
	2 PLACES ± 0.25 ± .015	CHECKED BY DATE	MOLEX MOLEX INCORPORATED			
	1 PLACE ± 0.38 ± ---	RJF 1989/07/18	SD-42475-***1			
	ANGULAR ± 1/2°	APPROVED BY DATE	SHEET NO.			
		RAS 1989/07/18	4 OF 4			
		MATERIAL NO.	DOCUMENT NO.			
		SEE CHART				
		DRAFT WHERE APPLICABLE MUST REMAIN WITHIN DIMENSIONS	THIS DRAWING CONTAINS INFORMATION THAT IS PROPRIETARY TO MOLEX INCORPORATED AND SHOULD NOT BE USED WITHOUT WRITTEN PERMISSION			