

PLEASE CHECK WWW.MOLEX.COM FOR LATEST PART INFORMATION

Part Number: [0950435891](#)
Status: **Active**
Overview: [modular_plugs_jacks](#)
Description: Modular Plug, Short Body, Shielded, 8/8, Black Boot, Cat5 for 6.00mm (.236") Cable Outside Diameter

Documents:

[3D Model](#) [Product Specification PS-95043 \(PDF\)](#)
[Drawing \(PDF\)](#) [RoHS Certificate of Compliance \(PDF\)](#)

Agency Certification

CSA LR19980
 UL E107635

General

Product Family Modular Jacks/Plugs
 Series [95043](#)
 Comments Colored Boot|Cable to Plug Tensile Strength: 98.0N (22 lb)
 Component Type Wire Plug
 Magnetic No
 Overview [modular_plugs_jacks](#)
 Performance Category 5
 Power over Ethernet (PoE) N/A
 Product Name RJ45

Physical

Boot Color BLACK
 Color - Resin Clear
 Durability (mating cycles max) 750
 Flammability 94V-2
 Inverted / Top Latch N/A
 Lightpipes/LEDs None
 Material - Metal Copper Alloy, Phosphor Bronze
 Material - Plating Mating Gold
 Material - Plating Termination Tin
 Material - Resin Polycarbonate
 Orientation N/A
 PCB Locator No
 PCB Retention None
 Packaging Type Bag
 Pitch - Mating Interface (in) 0.040 In
 Pitch - Mating Interface (mm) 1.02 mm
 Plating min: Mating (µin) 12
 Plating min: Mating (µm) 0.3
 Plating min: Termination (µin) 50.8
 Plating min: Termination (µm) 1.27
 Ports 1
 Positions / Loaded Contacts 8/8
 Surface Mount Compatible (SMC) N/A
 Temperature Range - Operating -40°C to +60°C
 Termination Interface: Style IDT or Pierce
 Waterproof / Dustproof No
 Wire/Cable Type Round

Electrical

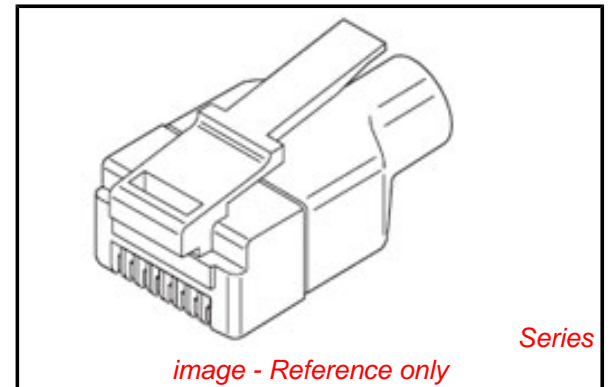


image - Reference only

EU RoHS

ELV and RoHS Compliant
REACH SVHC
 Not Reviewed
Halogen-Free Status
 Not Reviewed

China RoHS



Need more information on product environmental compliance?

Email productcompliance@molex.com
 For a multiple part number RoHS Certificate of Compliance, [click here](#)

Please visit the [Contact Us](#) section for any non-product compliance questions.

Search Parts in this Series

[95043Series](#)

Mates With

FCC 68 Jacks

Application Tooling | FAQ

Tooling specifications and manuals are found by selecting the products below. Crimp Height Specifications are then contained in the Application Tooling Specification document.

Global

Description	Product #
Termination Machine, Modular Plug	0623001400
Parallel Action Handtool for 95043 Shielded Plug, FCC 68, 8/8 Circuit, Short Body	0690081104

Current - Maximum per Contact	1.5A
Grounding to Panel	N/A
Shielded	Yes
Voltage - Maximum	125V AC (RMS)/DC

Material Info

Reference - Drawing Numbers

Application Specification	AS-95043
Packaging Specification	PK-95043
Product Specification	PS-95043
Sales Drawing	SDA-95043

This document was generated on 06/07/2010

PLEASE CHECK WWW.MOLEX.COM FOR LATEST PART INFORMATION

NOTES :

1- MATERIAL :

PLUG HOUSING :

CLEAR POLYCARBONATE

TERMINALS :

PHOSPHOR BRONZE PLATED WITH
(0.00127 MM)/.000050 INCH MIN. GOLD IN
CONTACT AREA, (0.00127 MM)/.000050 INCH
MIN. PURE TIN IN PIERCE AREA BOTH OVER
(0.00127 MM)/.000050 INCH MIN. NICKEL

SHIELD :

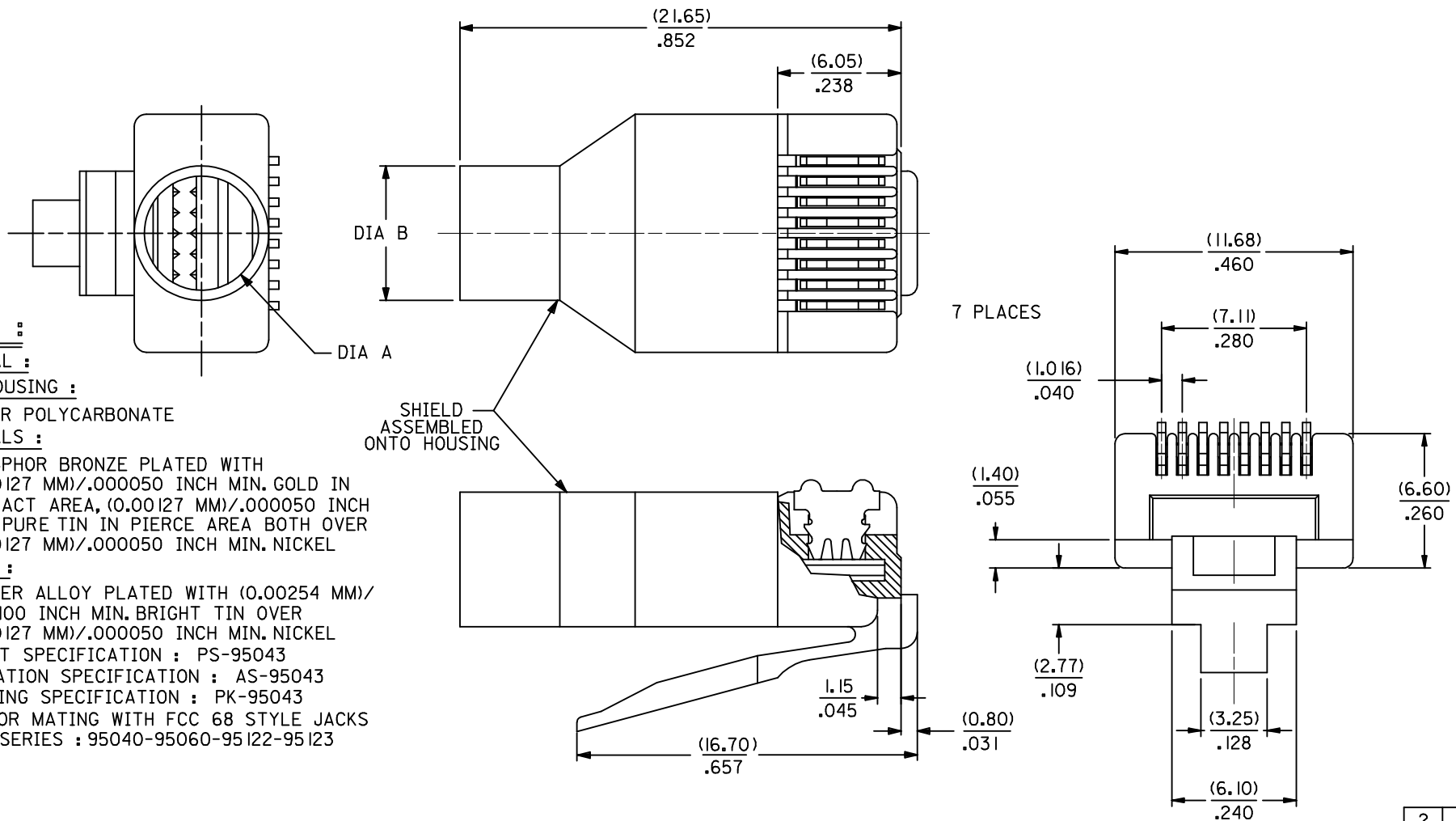
COPPER ALLOY PLATED WITH (0.00254 MM)/
.000100 INCH MIN. BRIGHT TIN OVER
(0.00127 MM)/.000050 INCH MIN. NICKEL

2- PRODUCT SPECIFICATION : PS-95043

3- APPLICATION SPECIFICATION : AS-95043

4- PACKAGING SPECIFICATION : PK-95043

5- PLUG FOR MATING WITH FCC 68 STYLE JACKS
MOLEX SERIES : 95040-95060-95122-95123

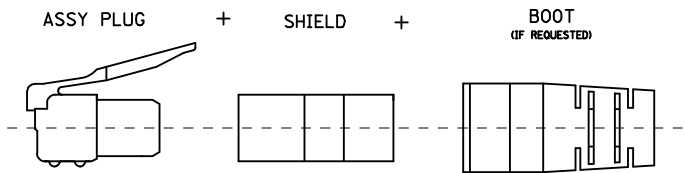


2	J
1	K

SEE SHEET 2 EC NO: E2009-0512 DRWING: CARTON 2009/04/17 CHKD: 2009/04/17 APPR: J WALLACE 2009/04/17	QUALITY SYMBOLS	GENERAL TOLERANCES (UNLESS SPECIFIED)	DIMENSION STYLE	SCALE	DESIGN UNITS	THIRD ANGLE PROJECTION
	▽=0 C=0	mm INCH 4 PLACES ± --- ± --- 3 PLACES ± --- ± .010 2 PLACES ± 0.25 ± .014 1 PLACE ± 0.35 ± --- ANGULAR ± 2 °	MM/IN	1:1	METRIC	
	DESCRIPTION	DRAWN BY	DATE	TITLE	SHIELDED MODULAR PLUG 8 POSITION FOR ROUND CABLE	
		CB		CHECKED BY	DATE	MOLEX INCORPORATED
			APPROVED BY	DATE	MATERIAL NO. DOCUMENT NO. SHEET NO.	
			FB		SEE SHEET 2 SDA-95043 1 OF 2	
		DRAFT WHERE APPLICABLE MUST REMAIN WITHIN DIMENSIONS	SIZE	THIS DRAWING CONTAINS INFORMATION THAT IS PROPRIETARY TO MOLEX INCORPORATED AND SHOULD NOT BE USED WITHOUT WRITTEN PERMISSION		
			A3			

ASSEMBLY PART NUMBER	TOOLED	CABLE DIAMETER	BOOT		DIM A	DIM B	'MG' MARK	PARTS/ UNIT	PACKAGING VERSION	
			COLOR	RAL NBR						
95043-1881	YES	(5.10-5.60)/.200-.220	NO	N/A	N/A	(5.60)/.220	(6.60)/.260	NO	I	A
95043-2881	YES	↑	NO	N/A	N/A	↑	↑	YES	I	A
95043-2891	YES	↑	YES	BLACK	9005	↑	↑	YES	I	A
95043-2892	YES	↑	YES	GREY	7012	↑	↑	YES	I	A
95043-2893	YES	↑	YES	GREEN	6016	↑	↑	YES	I	A
95043-2894	YES	↑	YES	RED	3000	↑	↑	YES	I	A
95043-2895	YES	↑	YES	YELLOW	1021	↑	↑	YES	I	A
95043-2896	YES	↑	YES	BLUE	5015	↑	↑	YES	I	A
95043-3891	YES	↓	YES	BLACK	9005	↓	↓	YES	1000	A
95043-6891	YES	(5.10-5.60)/.200-.220	YES	BLACK	9005	(5.60)/.220	(6.60)/.260	YES	5	B
95043-4881	YES	(5.60-6.20)/.220-.244	NO	N/A	N/A	(6.20)/.244	(7.20)/.283	NO	I	A
95043-5881	YES	↑	NO	N/A	N/A	↑	↑	YES	I	A
95043-5891	YES	↑	YES	BLACK	9005	↑	↑	YES	I	A
95043-5892	YES	↑	YES	GREY	7012	↑	↑	YES	I	A
95043-5893	YES	↑	YES	GREEN	6016	↑	↑	YES	I	A
95043-5894	YES	↑	YES	RED	3000	↑	↑	YES	I	A
95043-5895	YES	↑	YES	YELLOW	1021	↑	↑	YES	I	A
95043-5896	YES	↓	YES	BLUE	5015	↓	↓	YES	I	A
95043-5897	YES	(5.60-6.20)/.220-.244	YES	BLACK	9005	(6.20)/.244	(7.20)/.283	YES	I	C

SHIELDED PLUG COMPOSITION



ADDED OPTION EC NO: E2009-0512 DRWNG: CARTON 2009/04/17 CHKD: 2009/04/17 APPR: J WALLACE 2009/04/17 REV J	QUALITY SYMBOLS	▽=0 ◻=0	GENERAL TOLERANCES (UNLESS SPECIFIED) <table border="1" style="font-size: small;"> <tr> <th></th> <th>mm</th> <th>INCH</th> </tr> <tr> <td>4 PLACES</td> <td>± ---</td> <td>± ---</td> </tr> <tr> <td>3 PLACES</td> <td>± ---</td> <td>± .010</td> </tr> <tr> <td>2 PLACES</td> <td>± 0.25</td> <td>± .014</td> </tr> <tr> <td>1 PLACE</td> <td>± 0.35</td> <td>± ---</td> </tr> </table>		mm	INCH	4 PLACES	± ---	± ---	3 PLACES	± ---	± .010	2 PLACES	± 0.25	± .014	1 PLACE	± 0.35	± ---	DIMENSION STYLE MM/IN DRAWN BY: CB CHECKED BY: TB APPROVED BY: FB	SCALE 1:1	DESIGN UNITS METRIC	THIRD ANGLE PROJECTION
		mm	INCH																			
	4 PLACES	± ---	± ---																			
	3 PLACES	± ---	± .010																			
2 PLACES	± 0.25	± .014																				
1 PLACE	± 0.35	± ---																				
			DRAFT WHERE APPLICABLE MUST REMAIN WITHIN DIMENSIONS		TITLE SHIELDED MODULAR PLUG 8 POSITION FOR ROUND CABLE		MOLEX INCORPORATED															
			MATERIAL NO. SEE CHART		DOCUMENT NO. SDA-95043		SHEET NO. 2 OF 2															
			THIS DRAWING CONTAINS INFORMATION THAT IS PROPRIETARY TO MOLEX INCORPORATED AND SHOULD NOT BE USED WITHOUT WRITTEN PERMISSION																			