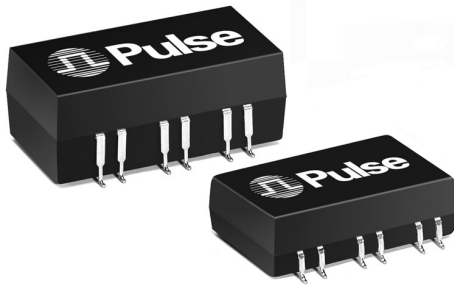


VDSL FILTER SOLUTIONS



- ⊕ Set of filter modules and hybrid transformers for VDSL
- ⊕ Designed for Long Haul and Short Haul solutions
- ⊕ Matched to Infineon Technologies VDSL solution
- ⊕ FSAN VDSL frequency band: 900 kHz to 8 MHz
- ⊕ Isolation Voltage: 1500 Vrms

Electrical Specifications @ 25°C — Operating Temperature -40°C to +85°C

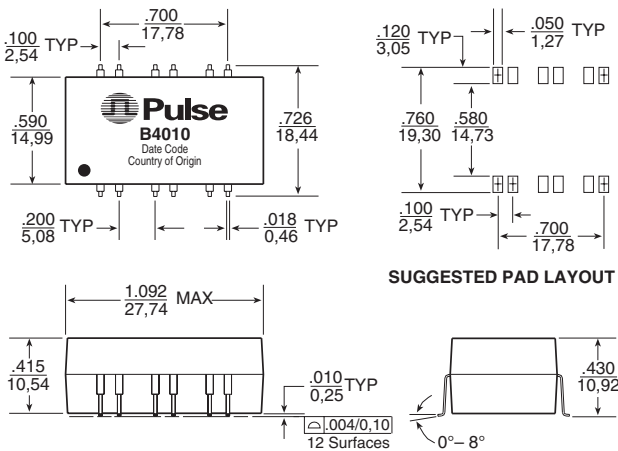
Part No.	Description	Application ⁵	Passband Frequency	Insertion Loss (MAX)	Return Loss (MIN)	Stopband Frequency	Attenuation (MIN)	Impedance		Package Type
								TX	RX	
B4010 ⁴	ISDN Splitter LPF	SH/LH	20 kHz to 120 kHz	0.4 dB	20 dB	800 kHz to 7.9 MHz	65 dB	150 Ω		BAB1
B4011 ^{1,2,6}	Bandpass Filter & Hybrid Xfmr	135 Ω Cable	900 kHz to 7.9 MHz	0.5 dB	10 dB	20 kHz to 150 kHz	60 dB	40 Ω	270 Ω	BAB2
B4014 ^{1,2,6}	Bandpass Filter & Hybrid Xfmr	100 Ω Cable	900 kHz to 7.9 MHz	0.5 dB	10 dB	20 kHz to 150 kHz	60 dB	40 Ω	270 Ω	BAB2
B4012 ³	Receive HPF	SH	4.5 MHz to 7.9 MHz	0.8 dB	12 dB	900 kHz to 3.0 MHz	30 dB	—	270 Ω	BAB2
B4013 ³	Receive LPF	SH	900 kHz to 3.3 MHz	0.8 dB	12 dB	4.5 MHz to 7.9 MHz	20 dB	—	270 Ω	BAB2
B4015 ³	Receive HPF - high performance	LH	4.5 MHz to 7.9 MHz	0.8 dB	12 dB	900 kHz to 3.0 MHz	50 dB	—	270 Ω	BAB2
B4016 ³	Receive LPF - high performance	LH	900 kHz to 3.0 MHz	1.2 dB	12 dB	4.5 MHz to 7.9 MHz	50 dB	—	270 Ω	BAB2
B4017 ³	Transmit LPF	LH	900 kHz to 3.0 MHz	0.8 dB	10 dB	4.5 MHz to 7.9 MHz	15 dB	40 Ω	—	BAB2
B4018 ³	Transmit HPF	LH	4.5 MHz to 7.9 MHz	0.8 dB	10 dB	900 kHz to 3.0 MHz	10 dB	40 Ω	—	BAB2

NOTES:

1. Transhybrid loss of B4011 and B4014 is 15 dB, measured with 135 Ω and 100 Ω line impedance respectively.
2. B4011 and B4014 have an additional stopband at 18 MHz to 40 MHz with attenuation of 15 dB.
3. Return loss for B4012-B4018 applies to the stopband, not just the passband.
4. B4010 is designed for loop current of up to 130 mA dc current.
5. Application specifies Short Haul (SH) or Long Haul (LH) where appropriate.
6. B4011 and B4014 provide 1500 Vrms Isolation Voltage.

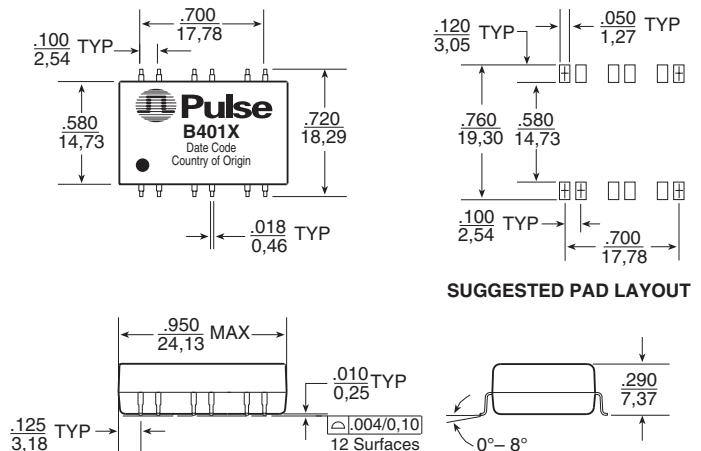
Mechanicals

BAB 1



Weight8.5 grams
Tape & Reel200/reel
Tube15/tube
Dimensions: Inches
 mm
 Unless otherwise specified,
 all tolerances are ± .010
 0,25

BAB 2



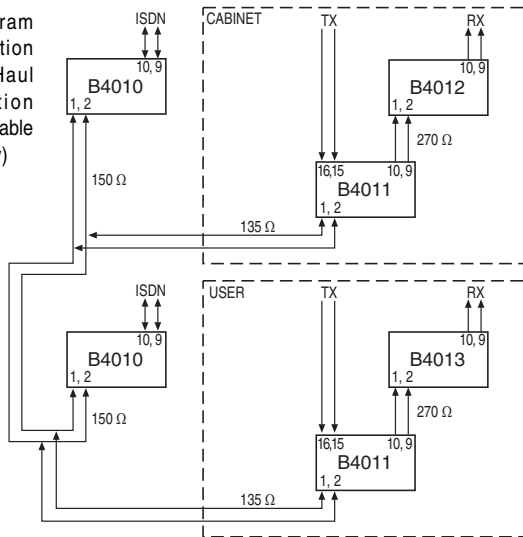
Weight7.0 grams
Tape & Reel200/reel
Tube20/tube
Dimensions: Inches
 mm
 Unless otherwise specified,
 all tolerances are ± .010
 0,25

VDSL FILTER SOLUTIONS

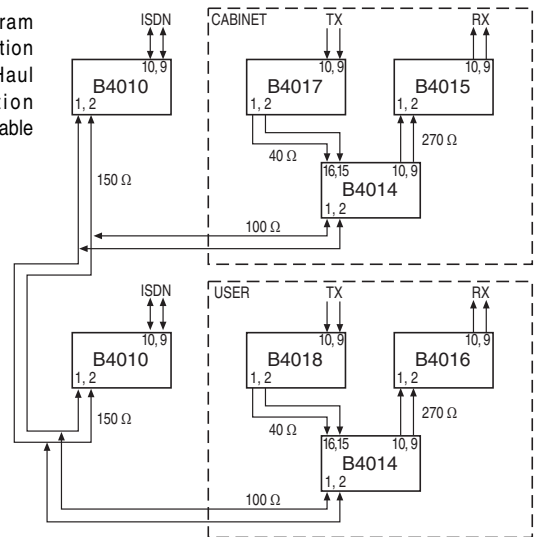


Application Notes

1. Block Diagram and Connection for Short Haul VDSL Solution over 135 Ω Cable (e.g. Germany)



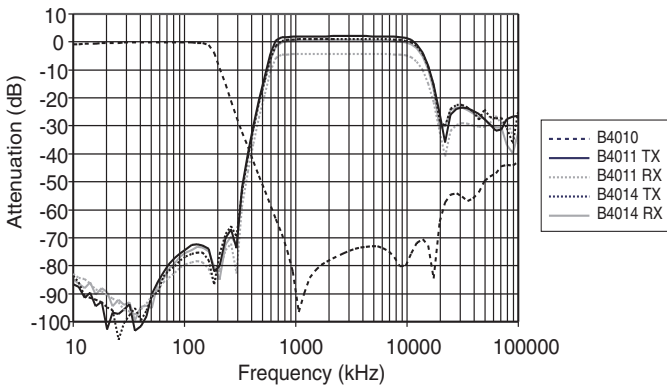
2. Block Diagram and Connection for Long Haul VDSL Solution over 100 Ω Cable (e.g. U.K.)



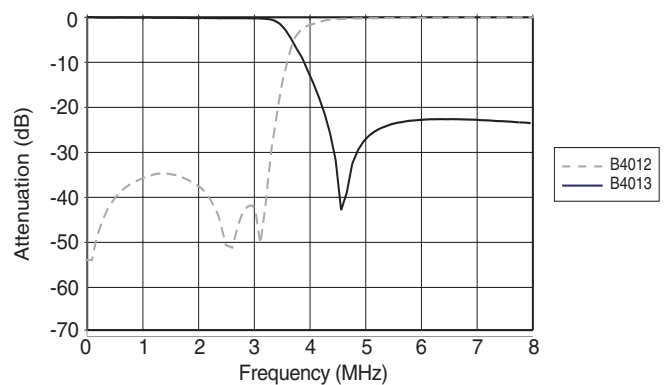
NOTE: Long Haul Solution over 135 Ω Cable is achieved by replacing B4014 in Application 2 with B4011

Frequency Response

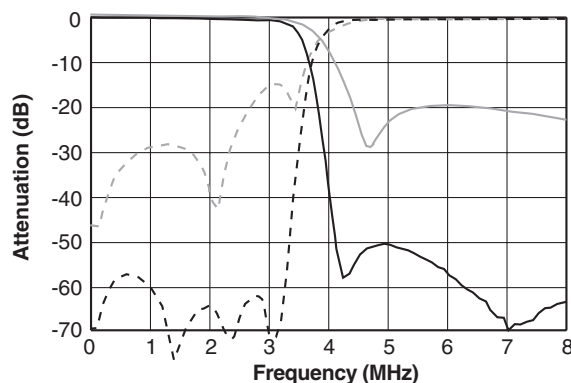
B4010/11/14 Frequency Response



B4012/13 Frequency Response



B4015/16/17/18 Frequency Response



For More Information :

UNITED STATES (Worldwide)
12220 World Trade Drive
San Diego, CA 92128
U.S.A.
<http://www.pulseeng.com>
TEL: 858 674 8100
FAX: 858 674 8262

UNITED KINGDOM (Northern Europe)
1 & 2 Huxley Road
The Surrey Research Park
Guildford, Surrey GU2 5RE
United Kingdom
TEL: 44 1483 401700
FAX: 44 1483 401701

FRANCE (Southern Europe)
Zone Industrielle
F-39270
Orgelet
France
TEL: 33 3 84 35 04 04
FAX: 33 3 84 25 46 41

SINGAPORE (Southern Asia)
150 Kampong Ampat
#07-01/02
KA Centre
Singapore 368324
TEL: 65 287 8998
FAX: 65 280 0080

TAIWAN, R.O.C. (Northern Asia)
3F-4, No. 81, Sec. 1
HsinTai Wu Road
Hsi-Chih, Taipei Hsien
Taiwan, R.O.C.
Tel: 886 2 2698 0228
FAX: 886 2 2698 0948

DISTRIBUTOR

Performance warranty of products offered on this data sheet is limited to the parameters specified. Data is subject to change without notice. Other brand and product names mentioned herein may be products and/or registered trademarks of their respective owners.

Printed on recycled paper. ©2001, Pulse Engineering, Inc.

PRELIMINARY B931.P (8/01)