



Features

- ◇ For RF SAW filter
- ◇ Single-double operation
- ◇ Ceramic Surface Mount Package
- ◇ Small size
- ◇ No matching required for operation at 50Ω
- ◇ RoHS compliant (2002/95/EC), Pb-free

Specifications

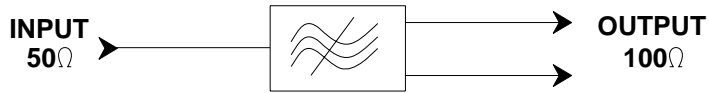
| Parameter | Unit | Minimum | Typical | Maximum |
|----------------------------------|-------------|---------|---------|---------|
| Center Frequency | MHz | - | 422.5 | - |
| Insertion Loss(420~425MHz) | dB | - | 2.2 | 2.5 |
| Passband Variation(420~425MHz) | dB | - | 0.5 | 1.2 |
| Input/Output VSWR(420~425MHz) | - | - | 1.7/1.9 | 2 |
| Ultimate Rejection | 0.5~410MHz | dB | 40 | - |
| | 410~415MHz | dB | 30 | - |
| | 445~455MHz | dB | 23 | - |
| | 455~490MHz | dB | 42 | - |
| | 490~1200MHz | dB | 30 | - |
| Material Temperature coefficient | KHz/°C | -13.5 | | |
| Substrate Material | - | 42LT | | |
| Ambient Temperature | °C | 25 | | |
| Operating Temperature Range | °C | -40 | - | +85 |
| Storage Temperature Range | °C | -40 | - | +85 |
| DC Voltage | V | 0 | | |
| Input Power | dBm | - | - | 20 |
| ESD Class | - | 1A | | |
| Package Size | SMD3.0*3.0 | | | |

Notes:

1. All specifications are based on the test circuit shown;
2. In production, all specifications are measured by Agilent Network analyzer and full 2 port calibration at room temperature;
3. Electrical margin has been built into the design to account for the variations due to temperature drift and manufacturing tolerances;
4. This is the optimum impedance in order to achieve the performance show.

| | | | | |
|--|--|-------------|------------|----------|
| | SIPAT Co., Ltd. (CETC No.26 Research Institute) #14 Nanping Huayuan Road, Chongqing, China, 400060 | Part Number | LBT42304 | |
| | | Rev. Date | 2010-10-10 | |
| | | Ver. | 2.0 | Page 1/3 |

Matching Configuration

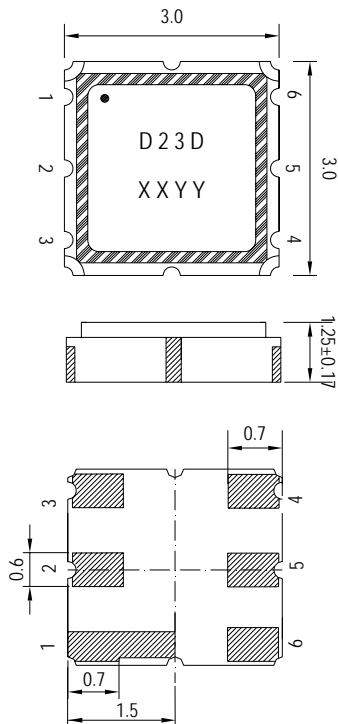


Source Impedance=50 ohm

Load Impedance=100 ohm

Notes - Component values may change depending
on board layout.

Package Dimension



Pad Configuration:

Input: 2

Output: 4,6

Ground: All Others

Marking Configuration:

1) •: Pad Number 1 Index

2) D23D: Part Number

3) XXYY: Date(Year/month)

Package: SMD3.0*3.0

Unit: mm

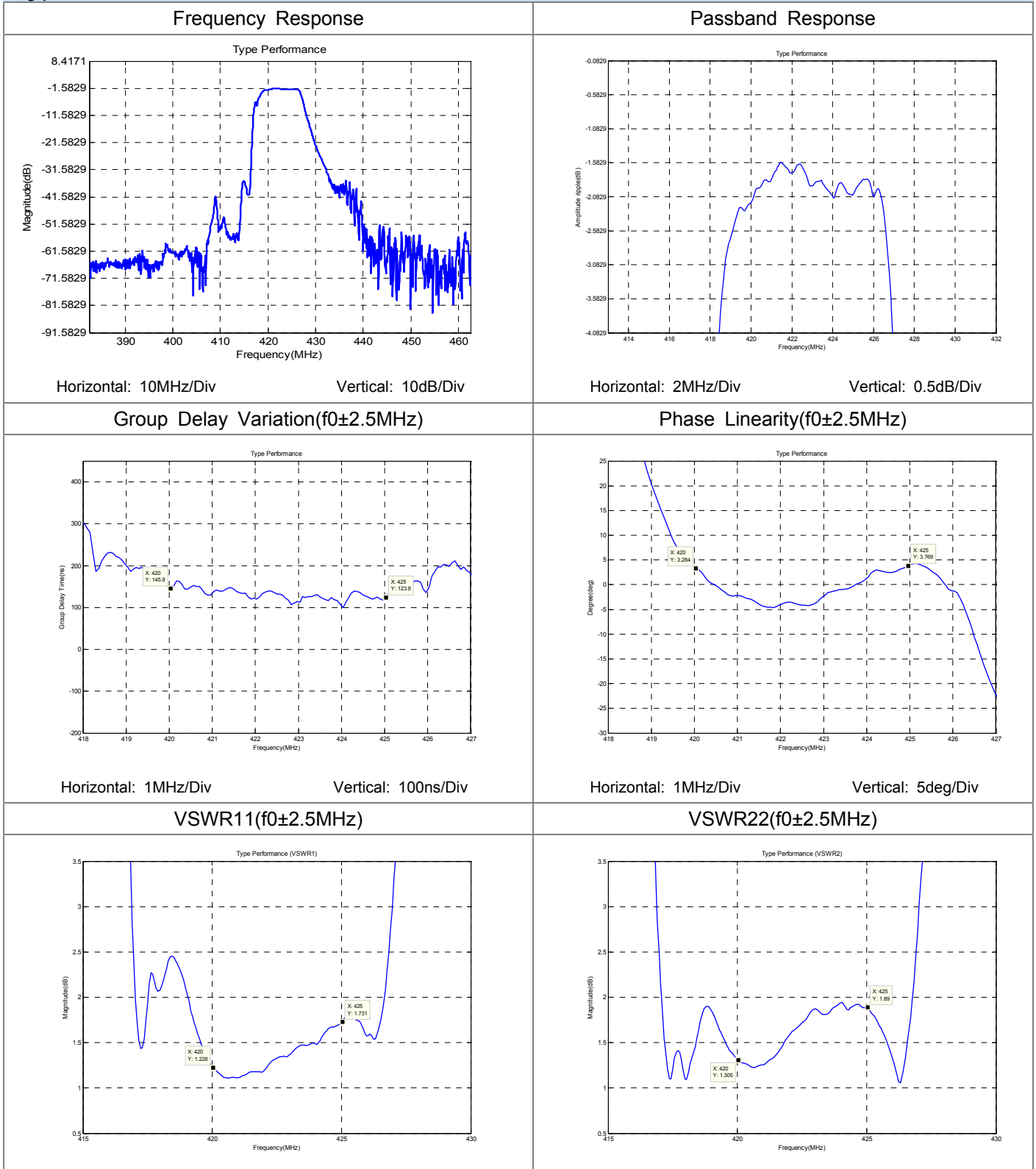


SIPAT Co., Ltd.
(CETC No.26 Research Institute)
#14 Nanping Huayuan Road,
Chongqing, China, 400060

| | | |
|-------------|------------|----------|
| Part Number | LBT42304 | |
| Rev. Date | 2010-10-10 | |
| Ver. | 2.0 | Page 2/3 |



Typical Performance



SIPAT Co., Ltd.
(CETC No.26 Research Institute)
#14 Nanping Huayuan Road,
Chongqing, China, 400060

| | | |
|-------------|------------|----------|
| Part Number | LBT42304 | |
| Rev. Date | 2010-10-10 | |
| Ver. | 2.0 | Page 3/3 |