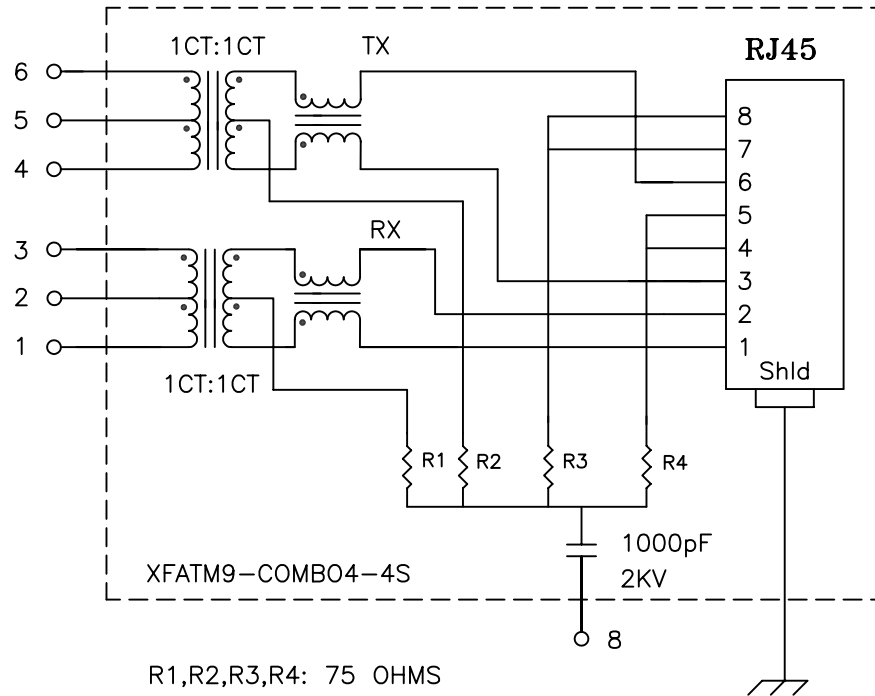


## Schematic:



## Electrical Specifications: @25°C

Isolation Voltage: 1500 Vrms (Input to Output)  
 Isolation Voltage: 500 Vrms (P1+2+3 to P4+5+6)  
 Turns Ratio: TX 1CT:1CT  $\pm 3\%$  RX 1CT:1CT  $\pm 3\%$   
 CABLE SIDE OCL: 350uH Minimum @100KHz 100mV 8mADC  
 Q: 18 Min @100KHz 100mV  
 Cw/w: 27pF Typical @100KHz 100mV  
 Insertion Loss (300KHz-100MHz): 1.0dB Maximum  
 Return Loss: @30MHz 18dB Minimum  
                   @80MHz 12dB Minimum

### Notes:

1. Solderability: Leads shall meet MIL-STD-202G, Method 208H for solderability.
2. Flammability: UL94V-0
3. ASTM oxygen index: > 28%
4. UL Recognized Component: File Number E200238
5. Operating Temperature Range: All listed parameters are to be within tolerance from -40°C to +85°C
6. Storage Temperature Range: -55°C to +125°C
7. Aqueous wash compatible
8. Electrical and mechanical specifications 100% tested
9. RoHS Compliant Component

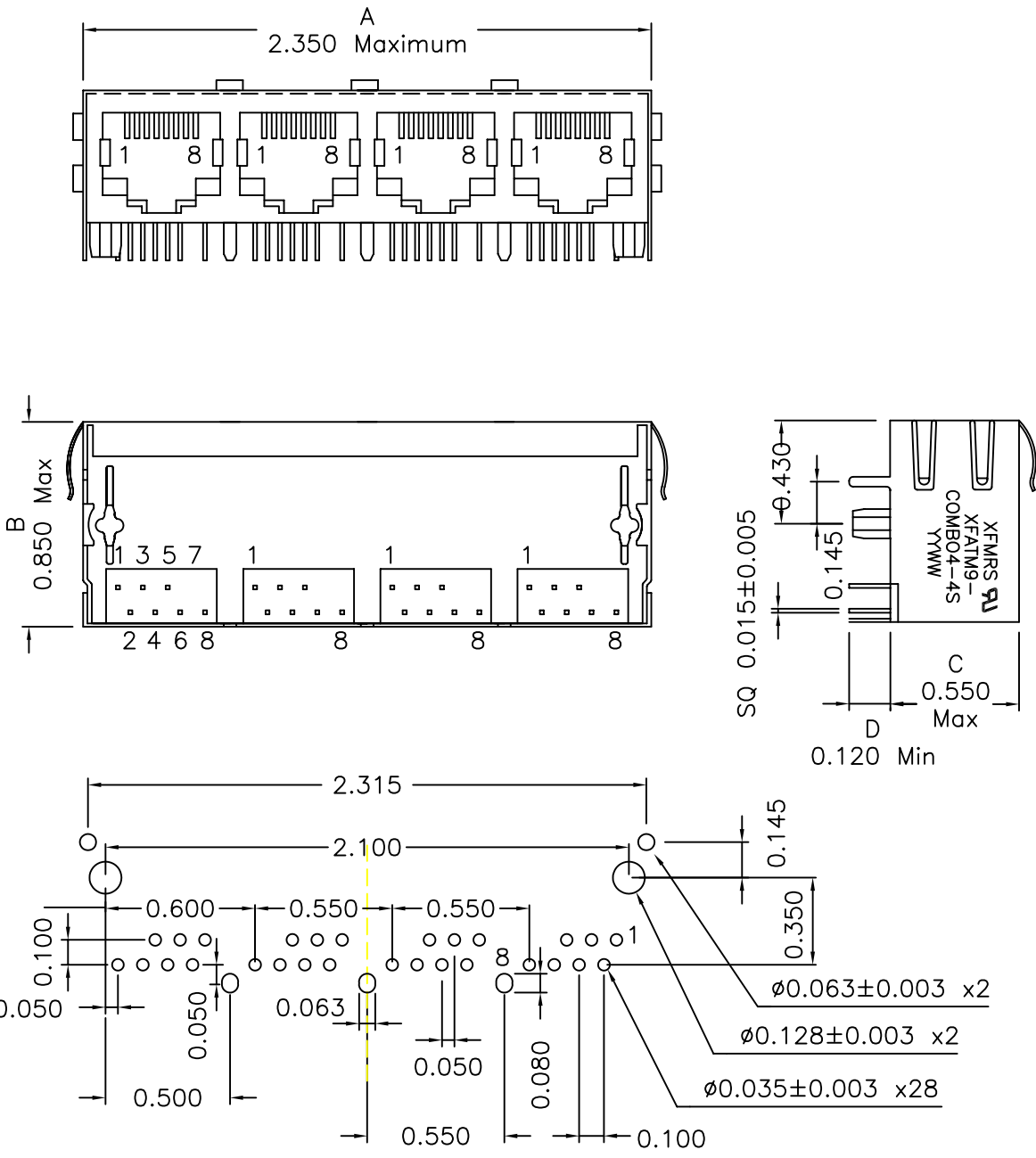
DOC. REV: A/9

**PROPRIETARY:**

Document is the property of XFMRS Group & is not allowed to be duplicated without authorization.

<b>XFMRS Inc.</b> www.XFMRS.com		Title: <b>QUAD PORT COMBO</b>		
UNLESS OTHERWISE SPECIFIED TOLERANCES: .xxx $\pm 0.010$		P/N: XFATM9-COMBO4-4S		REV. A
Dimensions in Inch		DWN.	Mei Chen	Sep-28-10
SHEET 1 OF 2		CHK.	YK Liao	Sep-28-10
		APP.	BW	Sep-28-10

# Mechanical Dimensions: (FOR COMB04-4S)



Removed Pins #7

SUGGESTED MOUNTING PATTERN

DOC. REV: A/9

<b>XFMRs Inc.</b> <a href="http://www.XFMRS.com">www.XFMRS.com</a>  UNLESS OTHERWISE SPECIFIED TOLERANCES: .xxx ±0.010 Dimensions in Inch  SHEET 2 OF 2	Title: Mechanical Dimensions For COMB04-4S Series	
	P/N: XFATM9-COMB04-4S	REV. A
	DWN. Mei Chen	Sep-28-10
	CHK. YK Liao	Sep-28-10
APP. BW	Sep-28-10	

**PROPRIETARY:**  
 Document is the property of XFMRs Group & is not allowed to be duplicated without authorization.