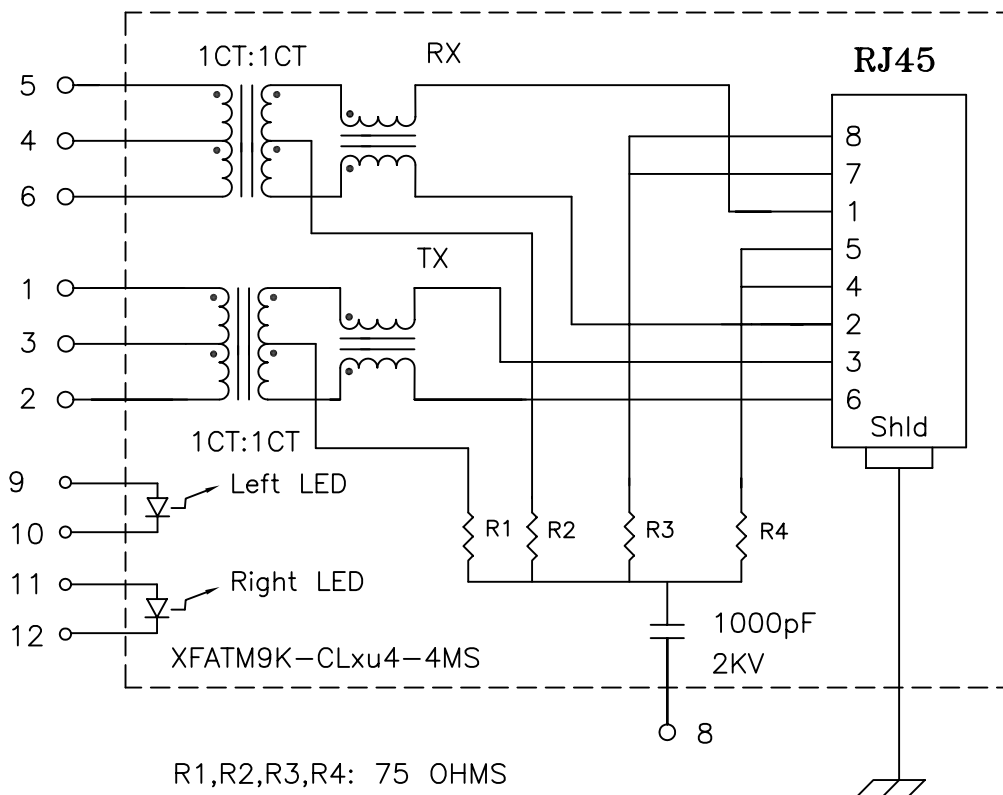


Schematic:



Electrical Specifications: @25°C

Isolation Voltage: 1500 Vrms (Input to Output)

Isolation Voltage: 500 Vrms (P1+2+3 to P4+5+6)

Turns Ratio: TX 1CT:1CT $\pm 3\%$ RX 1CT:1CT $\pm 3\%$

CABLE SIDE OCL: 350uH Minimum @100KHz 100mV 8mADC

Cw/w: 27pF Typical @100KHz 100mV

Insertion Loss (300KHz-100MHz): -1.0dB Maximum

Return Loss: @30MHz -18dB Minimum

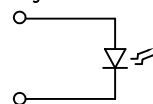
@80MHz -12dB Minimum

Complete the Combo P/N as follows:

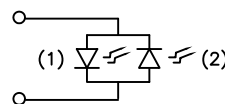
Replace 'x' & 'u' in the part number with one of the LED color letters:

Y=Yellow 'x' = Left LED Color
 G=Green 'u' = Right LED Color
 A=Amber
 R=Red
 N=Yellow(1)/Green(2) Bicolor
 M=Green(1)/Yellow(2) Bicolor

Single Color LED:



Bi-Color LED:



Notes:

1. Solderability: Leads shall meet MIL-STD-202, Method 208D for solderability.
2. Flammability: UL94V-0
3. ASTM oxygen index: > 28%
4. Insulation System: Class F 155°C. UL file E151556
5. Operating Temperature Range: All listed parameters are to be within tolerance from -40°C to +85°C
6. Storage Temperature Range: -55°C to +125°C
7. Aqueous wash compatible

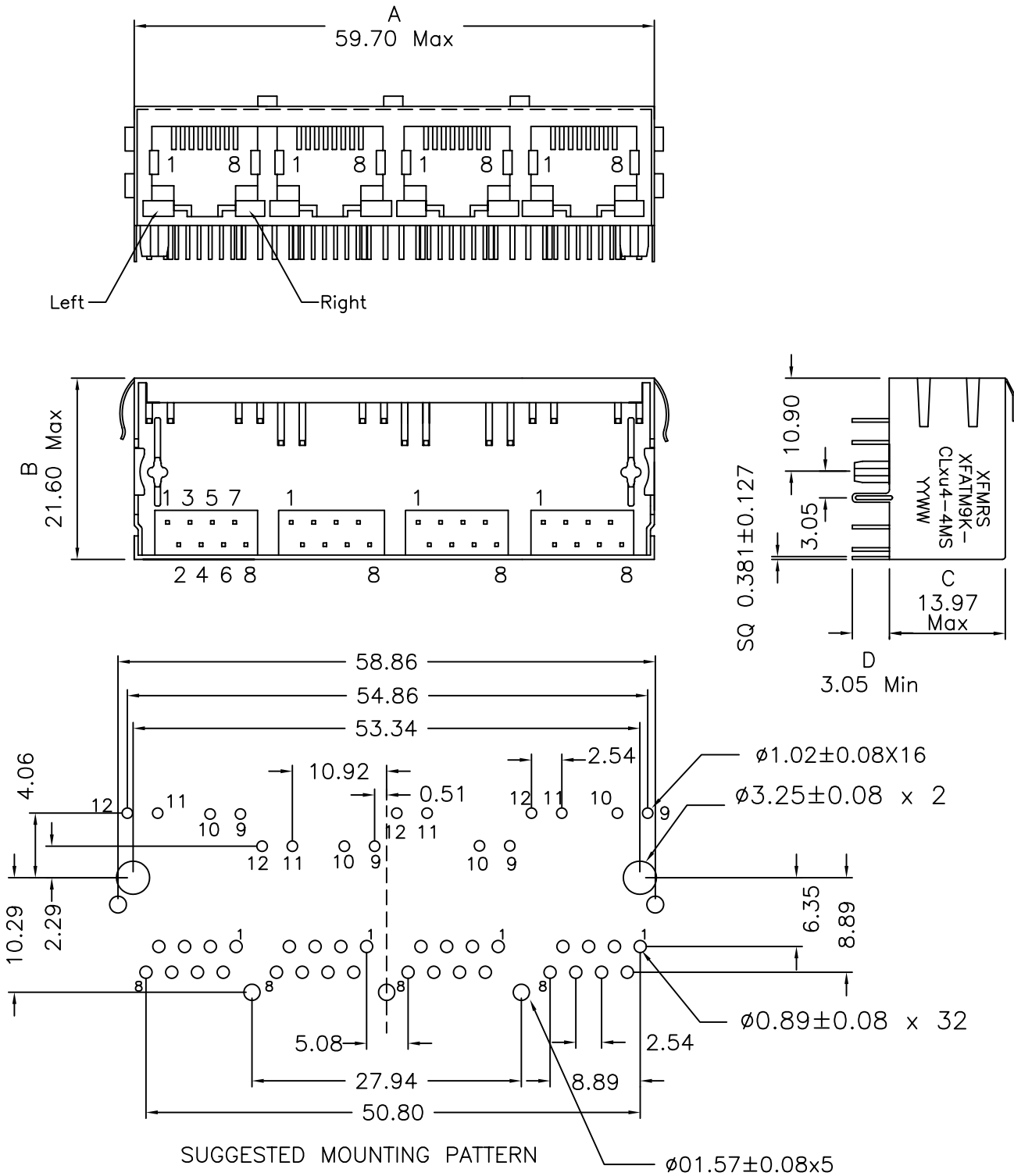
DOC. REV: A/6

PROPRIETARY:

Document is the property of XFMRs Group & is not allowed to be duplicated without authorization.

XFMRs Inc.		Title: FOUR PORT COMBO	
		UNLESS OTHERWISE SPECIFIED TOLERANCES: .xx ± 0.25	P/N: XFATM9K-CLxu4-4MS
Dimensions in MM	DWN.	罗振江	Apr-05-04
	CHK.	廖玉坤	Apr-05-04
SHEET 1 OF 2	APP.	MS	Apr-05-04

Mechanical Dimensions: (FOR CLxu4-4MS)



DOC REV: A/6

XFMRS Inc.	Title: FOUR PORT COMBO w/ LED's	
	P/N: XFATM9K-CLxu4-4MS	REV. A
UNLESS OTHERWISE SPECIFIED TOLERANCES: .xx ±0.25	DWN. 罗振江	Apr-05-04
Dimensions in MM	CHK. 廖玉坤	Apr-05-04
SHEET 2 OF 2	APP. MS	Apr-05-04

PROPRIETARY:
Document is the property of XFMRS Group & is not allowed to be duplicated without authorization.