

PLEASE CHECK WWW.MOLEX.COM FOR LATEST PART INFORMATION

Part Number: [0050361691](#)
Status: **Active**
Overview: [standard_093](#)
Description: 2.36mm (.093") Diameter, .093" Pin and Socket Receptacle Housing with Positive Latch, 6 Circuits, Without Mounting Ears, Glow Wire Compatible

Documents:

3D Model	Product Specification PS-02-09 (PDF)
Packaging Specification (PDF)	RoHS Certificate of Compliance (PDF)
Drawing (PDF)	

General

Product Family	Crimp Housings
Series	1991
Comments	Polarized to Mating Part, Nylon PA 6, UL94 V-0
Overview	standard_093
Product Name	Standard .093"

Physical

Breakaway	No
Circuits (maximum)	4
Circuits Detail	1x4
Color - Resin	Black
Gender	Receptacle
Glow-Wire Compliant	Yes
Keying to Mating Part	None
Lock to Mating Part	Yes
Material - Resin	Nylon
Number of Rows	1
Packaging Type	Bag
Panel Mount	No
Pitch - Mating Interface (in)	0.248 In
Pitch - Mating Interface (mm)	6.30 mm
Pitch - Term. Interface (in)	0.248 In
Pitch - Term. Interface (mm)	6.30 mm
Polarized to Mating Part	Yes
Stackable	No
Temperature Range - Operating	-40°C to +105°C

Material Info

Old Part Number	1991-4R1-1
-----------------	------------

Reference - Drawing Numbers

Product Specification	PS-02-09
Sales Drawing	SD-1991-4**1

EU RoHS

ELV and RoHS Compliant
REACH SVHC Contains SVHC: No
Halogen-Free Status

China RoHS



Halogen-Free

Need more information on product environmental compliance?

Email productcompliance@molex.com
 For a multiple part number RoHS Certificate of Compliance, [click here](#)

Please visit the [Contact Us](#) section for any non-product compliance questions.

Search Parts in this Series

[1991Series](#)

Mates With

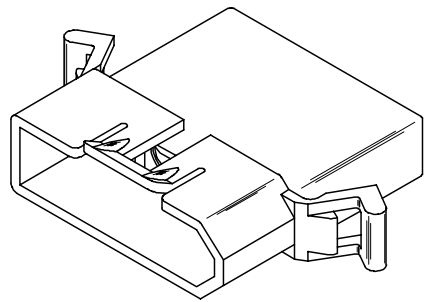
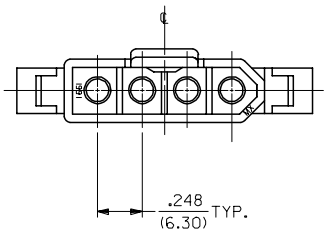
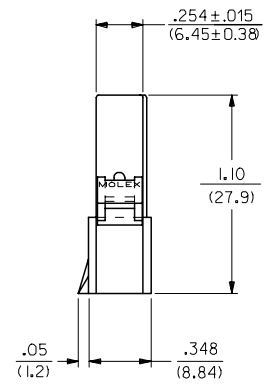
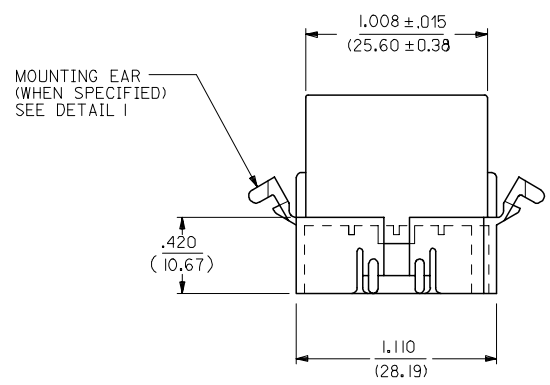
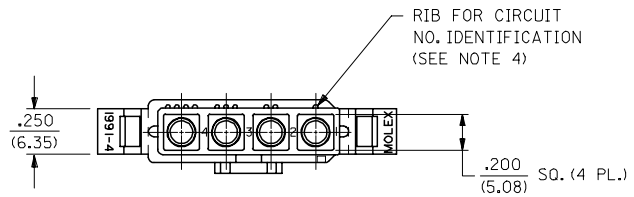
[50-36-1743](#) Pin and Socket Plug

Use With

[1189](#) Crimp Terminals, [1190](#) Crimp Terminals, [1380](#) Male Crimp Terminals, [1381](#) Female Crimp Terminals, [1433](#) Crimp Terminals, [1434](#) Male Crimp Terminals, [1973](#) , [2151](#) , [2273](#) , [2870](#) , [2871](#) , [4272](#) , [4550](#) , [6271](#) , Lin

13 12 11 10 9 8 7 6 5 4 3 2 1

PLUG



PLUG HOUSING

3	A
2	A
1	A
SHT.	REV.

INITIAL RELEASE FC NO: UCP2007-2588 DRAWN/PRD'DR 2007/07/26 CHK'D:LS:HM:DT 2007/08/20 APPR:FSM:TH 2007/08/21 REV: A	QUALITY SYMBOLS ▽=0 ▽=0	GENERAL TOLERANCES (UNLESS SPECIFIED)		DIMENSION STYLE IN/MM		SCALE 2:1	DESIGN UNITS INCH	THIRD ANGLE PROJECTION				
		4 PLACES ± .010 ± .010	3 PLACES ± .010 ± .010	2 PLACES ± 0.25 ± .014	1 PLACE ± 0.35 ± .014	ANGULAR ± 1 °	DRAWN BY AELHAG	DATE 2007/06/23	TITLE .093/(2.36) HOUSINGS, PLUG AND RECEPTACLE, 4 CKT, .248/(6.30) CTRS.			
		DRAFT WHERE APPLICABLE MUST REMAIN WITHIN DIMENSIONS					SEE CHART		MATERIAL NO. FSM1THROEMER 2007/07/25		DOCUMENT NO. SD-1991-4**1	SHEET NO. 1 OF 3
		THIS DRAWING CONTAINS INFORMATION THAT IS PROPRIETARY TO MOLEX INCORPORATED AND SHOULD NOT BE USED WITHOUT WRITTEN PERMISSION										

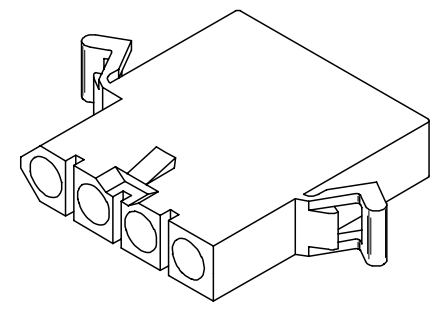
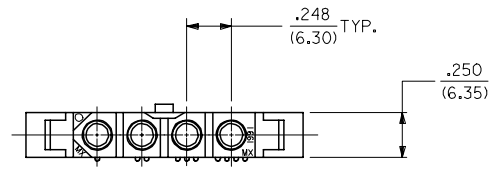
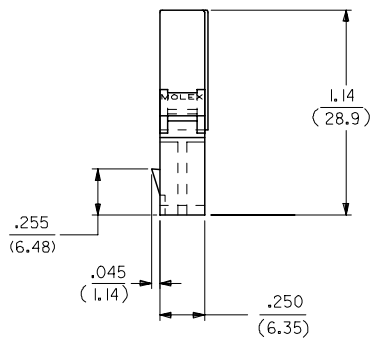
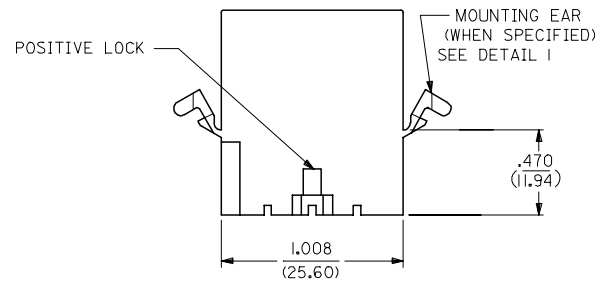
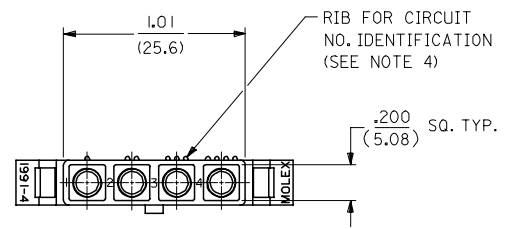
12 11 10 9 8 7 6 5 4 3 2 1

13 12 11 10 9 8 7 6 5 4 3 2 1

J
I
H
G
F
E
D
C
B
A

J
I
H
G
F
E
D
C
B
A

RECEPTACLE



RECEPTACLE HOUSING

INITIAL RELEASE FC NO: UCP2007-2588 DRAWN BY: DER 2007/07/26 CHKD: LSHMIDT 2007/08/20 APPR: FSM TH 2007/08/21	QUALITY SYMBOLS ▽=0 ▽=0	GENERAL TOLERANCES (UNLESS SPECIFIED)		DIMENSION STYLE IN/MM	SCALE 2:1	DESIGN UNITS INCH	THIRD ANGLE PROJECTION		
		4 PLACES ± --- ± ---	mm INCH	DRAWN BY AELHAG	DATE 2007/06/23	TITLE .093/(2.36) HOUSINGS, PLUG AND RECEPTACLE, 4 CKT, .248/(6.30) CTRS.			
		3 PLACES ± --- ± .010		CHECKED BY SCHMIDT	DATE 2007/07/23	MOLEX MOLEX INCORPORATED			
		2 PLACES ± 0.25 ± .014		APPROVED BY FSM ITHROEMER	DATE 2007/07/25	MATERIAL NO. SEE CHART	DOCUMENT NO. SD-1991-4**1	SHEET NO. 2 OF 3	
1 PLACE ± 0.35 ± ---		ANGULAR ± 1 °		THIS DRAWING CONTAINS INFORMATION THAT IS PROPRIETARY TO MOLEX INCORPORATED AND SHOULD NOT BE USED WITHOUT WRITTEN PERMISSION					
DRAFT WHERE APPLICABLE MUST REMAIN WITHIN DIMENSIONS									

12 11 10 9 8 7 6 5 4 3 2 1

	13	12	11	10	9	8	7	6	5	4	3	2	1
	PLUG			RECEPTACLE									
J	PART NO.	ENG. NO.		PART NO.	ENG. NO.								
	50-36-1743	1991-4P1-1		50-36-1691	1991-4R1-1								
	50-36-1693	1991-4P2-1		50-36-1692	1991-4R2-1								
I													
H													
G													
F													
E													
D													
C													
B													
A													

LEGEND:

1991-4**-*

CIRCUIT SIZE

P = PLUG

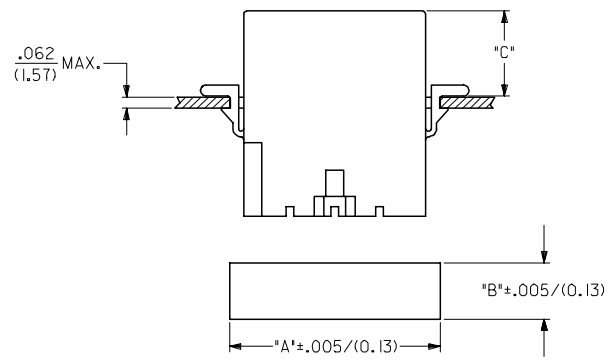
R = RECEPTACLE

1 = WITHOUT EARS

2 = WITH PREBENT EARS, PER DETAIL 3

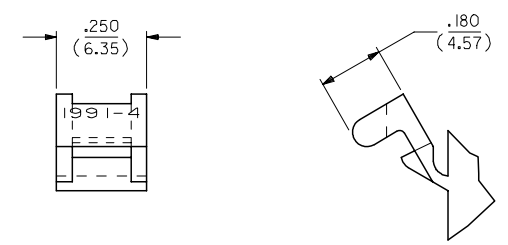
MATERIAL :

1 = CODE B



HOUSING	DIM. "A"	DIM. "B"	DIM. "C" STD. EAR	DIM. "C" PREBENT
PLUG	1.270/(32.26)	.365/(9.27)	.48/(12.2)	.52/(13.2)
RECEPTACLE	1.168/(29.67)	.311/(7.90)	.47/(11.9)	.51/(12.9)

- NOTES:
- MATERIAL: B: NYLON (PA 6), UL94 V-0, IEC 60335-1, 4TH EDITION GLOW WIRE CAPABLE, COLOR: BLACK
 - FINISH: N/A
 - PRODUCT SPECIFICATION: PS-02-09
 - PACKAGING SPECIFICATION: PK-1991-001
 - ACCEPTS MOLEX .093/(2.36) SERIES TERMINALS.
 - PARTS FROM EARLIER VERSION TOOLS DO NOT HAVE CIRCUIT IDENTIFICATION RIBS
 - PARTS CONFORM TO CLASS B REQUIREMENTS OF COSMETIC SPECIFICATION: PS-45499-002 EXCEPT SINK AND DISCOLORATION MEETS CLASS 'C' REQUIREMENTS.



DETAIL 1
PREBENT MOUNTING EAR
(SCALE 4:1)

INITIAL RELEASE FC NO: UCP2007-2588 DRAWN BY: DER CHKD: LSHMIDT APPR: FSM TH 2007/07/26 2007/08/20 2007/08/21	QUALITY SYMBOLS ▽=0 ▽=0	GENERAL TOLERANCES (UNLESS SPECIFIED)		DIMENSION STYLE IN/MM		SCALE 2:1	DESIGN UNITS INCH	THIRD ANGLE PROJECTION
		4 PLACES ± .010 ± .010 3 PLACES ± .010 ± .010 2 PLACES ± 0.25 ± .014 1 PLACE ± 0.35 ± .014 ANGULAR ± 1 °	DRAWN BY: AELHAG DATE: 2007/06/23 CHECKED BY: SCHMIDT DATE: 2007/07/23 APPROVED BY: FSM TH DATE: 2007/07/25	TITLE .093/(2.36) HOUSINGS, PLUG AND RECEPTACLE, 4 CKT, .248/(6.30) CTRS.			MATERIAL NO. SD-1991-4**1	SHEET NO. 3 OF 3
DRAFT WHERE APPLICABLE MUST REMAIN WITHIN DIMENSIONS		SEE CHART		THIS DRAWING CONTAINS INFORMATION THAT IS PROPRIETARY TO MOLEX INCORPORATED AND SHOULD NOT BE USED WITHOUT WRITTEN PERMISSION				