

Size 0805 (EIA) and/or 2012 (IEC)
Rated inductance 10 to 1000 nH
Rated current 120 to 540 mA



Construction

- Core: liquid crystal polymer (LCP)
- Molded epoxy encapsulation
- Winding: enamel copper wire, soldered

Features

- High mechanical stability
- Suitable for reflow (IR and vapor phase) and wave soldering

Applications

- Entertainment electronics
(video cameras, photo cameras)

Terminals

- Electro-plated
- 0,5 μm Ag; $\geq 5 \mu\text{m}$ Sn60Pb40
- Base material phosphor bronze

Marking

No marking on component

Minimum data on reel:

Manufacturer, part number, ordering code,
 L value and tolerance of L value,
quantity, date of packing

Delivery mode

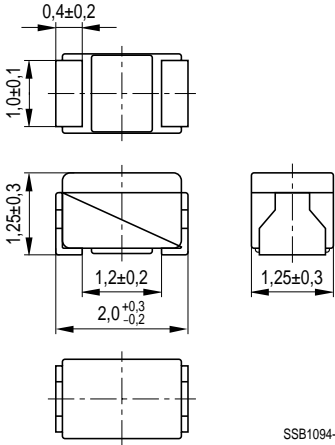
8-mm blister tape, wound on 178-mm \varnothing reel

For details on taping, packing and packing units [see page 153](#)

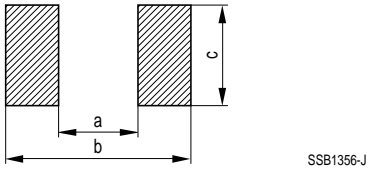
General technical data

Rated inductance L_R	Measured with impedance analyzer HP 4191 at frequency f_L
Q factor Q_{\min} , Q_{typ}	Measured with impedance analyzer HP 4191A, Q_{\min} measured at frequency f_Q
Rated current I_R	Maximum permissible dc with a temperature increase of ≤ 20 K at rated temperature of 85°C
Self-resonance frequency $f_{\text{res, min}}$	Measured with network analyzer HP 8753
DC resistance R_{max}	Measured at 20°C ambient temperature, measuring current $< I_R$
Climatic category	In accordance with IEC 60068-1 20/085/56 ($-20^\circ\text{C}/+85^\circ\text{C}/56$ days damp heat test)
Solderability	In accordance with IEC 60062-2-58 (230 ± 5) $^\circ\text{C}$, ($3 \pm 0,5$) s Wetting of soldering area: ≥ 90 %
Resistance to soldering heat	In accordance with IEC 60068-2-20 260°C , 10 s $\Delta L/L \leq \pm 5$ %; $\Delta Q/Q \leq \pm 20$ %
Permissible PCB bending	2 mm (100 mm long standard PCB)
Weight	Approx. 8,5 mg

Dimensional drawing



Layout recommendation



Dimensions (mm)

a	b	c
$1,1 \pm 0,1$	$3,4 \pm 0,4$	$1,1 \pm 0,2$

Characteristics and ordering codes

L_R nH	Tolerance	Q_{\min}	Q_{typ} (at 800 MHz)	$f_L; f_Q$ MHz	I_R mA	R_{\max} Ω	$f_{\text{res, min}}$ MHz	Ordering code ¹⁾
10	$\pm 10\%$ $\triangle K$	10	60	100	540	0,18	3300	B82498-A3100-K
12		10	56	100	535	0,24	3300	B82498-A3120-K
15		12	58	100	520	0,24	3000	B82498-A3150-K
18		12	62	100	480	0,29	3000	B82498-A3180-K
22		15	61	100	465	0,29	2600	B82498-A3220-K
27		15	65	100	455	0,34	2500	B82498-A3270-K
33	$\pm 5\%$ $\triangle J$	15	67	100	395	0,39	2050	B82498-A3330+
39		15	66	100	390	0,41	2000	B82498-A3390+
47		$\pm 10\%$ $\triangle K$	15	58	100	385	0,46	1650
56	15		53	100	360	0,51	1550	B82498-A3560+
68	15		52	100	340	0,57	1450	B82498-A3680+
82	15		49	100	330	0,63	1100	B82498-A3820+
100	8		—	25,2	285	0,86	800	B82498-A3101++
120	8		—	25,2	275	0,99	600	B82498-A3121++
150	10	—	25,2	230	1,47	600	B82498-A3151++	
180	10	—	25,2	195	1,61	600	B82498-A3181++	
220		—	25,2	170	1,84	500	B82498-A3221++	
270		—	25,2	165	1,95	300	B82498-A3271++	
330	10	—	25,2	160	2,16	200	B82498-A3331++	
390		—	25,2	150	2,37	150	B82498-A3391++	
470		—	25,2	145	2,56	150	B82498-A3471++	
560	10	—	25,2	140	2,69	100	B82498-A3561++	
680		—	25,2	130	3,02	100	B82498-A3681++	
820		—	25,2	125	3,38	80	B82498-A3821++	
1000		8	—	7,96	120	3,88	80	B82498-A3102++

1) Replace the + by the code letter for the required inductance tolerance (see table).