

**Cascadable Amplifier
100 to 1200 MHz**

A1212 / SMA1212

V3

Features

- VERY LOW NOISE: 1.8 dB (TYP.)
- HIGH OUTPUT POWER: +19 dBm (TYP.)
- HIGH POWER ADDED EFFICIENCY: 20%

Description

The A1212 RF amplifier is a discrete hybrid design, which uses thin film manufacturing processes for accurate performance and high reliability.

This feedback amplifier design uses 2 GaAs FET transistors

In parallel, and displays impressive performance characteristics over a broadband frequency range.

An RF choke is used for DC power supply decoupling.

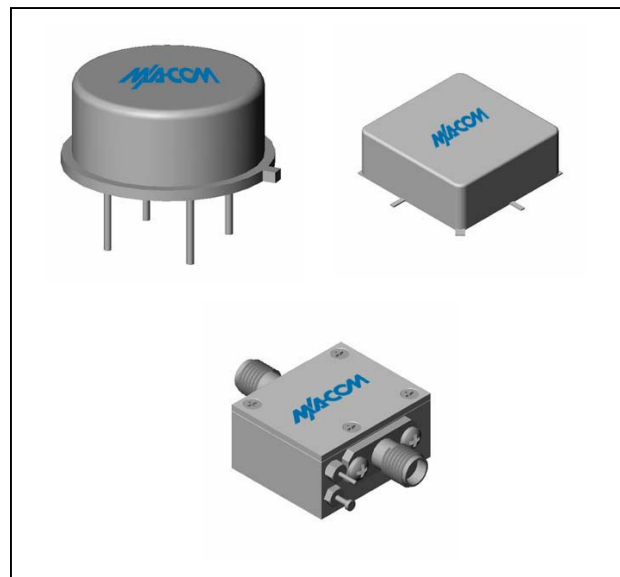
Both TO-8 and Surface Mount packages are hermetically sealed, and MIL-STD-883 environmental screening is available.

Ordering Information

Part Number	Package
A1212	TO-8
SMA1212	Surface Mount
CA1212 **	SMA Connectorized

** The connectorized version is not RoHS compliant.

Product Image



Electrical Specifications: $Z_0 = 50\Omega$, $V_{CC} = +5 V_{DC}$

Parameter	Units	Typical	Guaranteed	
		25°C	0° to 50°C	-54° to +85°C*
Frequency	GHz	0.1-1.2	0.1-1.2	0.1-1.2
Small Signal Gain (min)	dB	14.0	12.5	11.5
Gain Flatness (max)	dB	±0.6	±1.0	±1.2
Reverse Isolation	dB	23		
Noise Figure (max)	dB	1.8	2.3	2.7
Power Output @ 1 dB comp. (min)	dBm	19.0	17.0	16.0
IP3	dBm	+29		
IP2	dBm	+40		
Second Order Harmonic IP	dBm	+46		
VSWR Input / Output (max)		1.8:1 / 1.8:1	2.1:1 / 2.1:1	2.3:1 / 2.3:1
DC Current @ 5 Volts (max)	mA	70	75	85

Absolute Maximum Ratings

Parameter	Absolute Maximum
Storage Temperature	-62°C to +125°C
Case Temperature	+125°C
DC Voltage	+8 V
Continuous Input Power	+13 dBm
Short Term Input power (1 minute max.)	50 mW
Peak Power (3 µsec max.)	0.5 W
"S" Series Burn-In Temperature (case)	+125°C

Thermal Data: $V_{CC} = +5 V_{DC}$

Parameter	Rating
Thermal Resistance θ_{jc}	182°C/W
Transistor Power Dissipation P_d	0.147W
Junction Temperature Rise Above Case T_{jc}	+26°C

* Over temperature performance limits for part number CA1212, guaranteed from 0°C to +50°C only.

M/A-COM Inc. and its affiliates reserve the right to make changes to the product(s) or information contained herein without notice. M/A-COM makes no warranty, representation or guarantee regarding the suitability of its products for any particular purpose, nor does M/A-COM assume any liability whatsoever arising out of the use or application of any product(s) or information.

• **North America** Tel: 800.366.2266 / Fax: 978.366.2266
 • **Europe** Tel: 44.1908.574.200 / Fax: 44.1908.574.300
 • **Asia/Pacific** Tel: 81.44.844.8296 / Fax: 81.44.844.8298

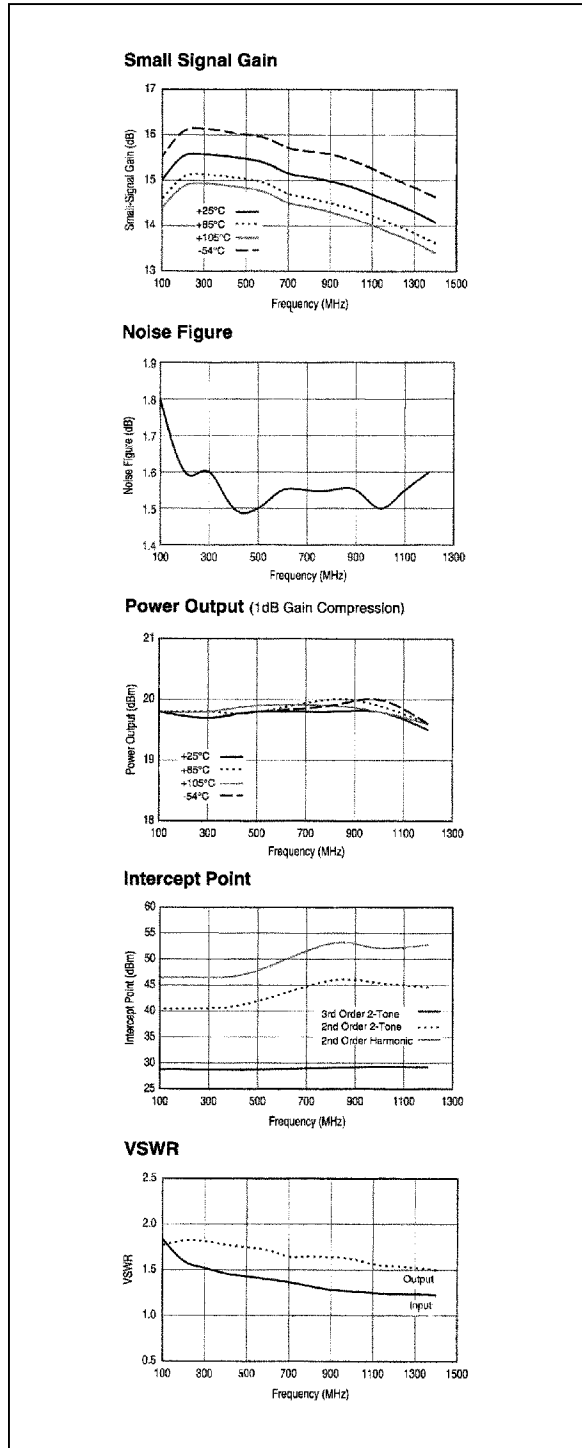
Visit www.macom.com for additional data sheets and product information.

**Cascadable Amplifier
100 to 1200 MHz**

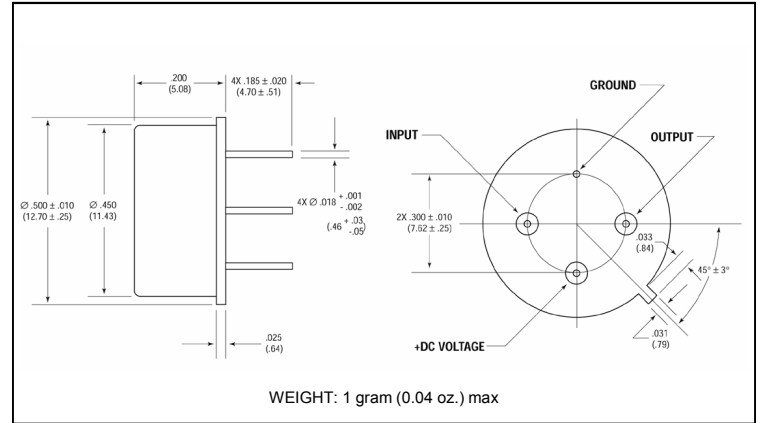
A1212 / SMA1212

V3

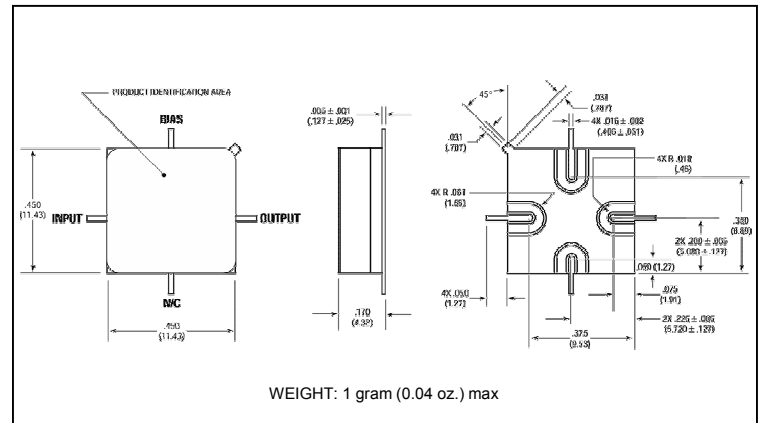
Typical Performance Curves at +25°C



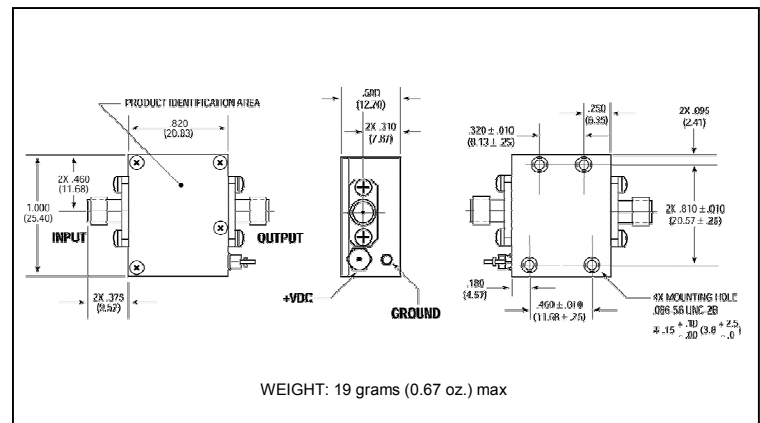
Outline Drawing: TO-8 *



Outline Drawing: Surface Mount *



Outline Drawing: SMA Connectorized *



* Dimensions are inches (millimeters) ±0.015 (0.38) unless otherwise specified.