

PLEASE CHECK WWW.MOLEX.COM FOR LATEST PART INFORMATION

Part Number: [0940304031](#)
Status: **Active**
Description: Quick Disconnect, Female, for 0.50-1.00mm² (18-20 AWG) wire, Accepts 4.75mm (.187") x 0.81mm (.032") Tab

Documents:

[Drawing \(PDF\)](#) [RoHS Certificate of Compliance \(PDF\)](#)

General

| | |
|-------------------------|-----------------------|
| Product Family | Quick Disconnects |
| Series | 94030 |
| Crimp Quality Equipment | Yes |
| Product Name | N/A |
| Type | Quick Disconnect |

Physical

| | |
|-------------------------------|--------------------------|
| Barrel Type | Open |
| Gender | Female |
| Glow-Wire Compliant | No |
| Insulation | None |
| Lock to Mating Part | None |
| Material - Metal | Brass |
| Material - Plating Mating | Tin |
| Orientation | Straight |
| Packaging Type | Reel |
| Plating min: Mating (µin) | 80 |
| Plating min: Mating (µm) | 2 |
| Polarized to Mating Part | Yes |
| Tab Thickness | 0.81mm (.032") |
| Tab Width | 4.75mm (.187") |
| Temperature Range - Operating | 80°C |
| Wire Insulation Diameter | 2.70-4.30mm (.106-.169") |
| Wire Size AWG | 14, 16 |
| Wire Size mm ² | 1.00-2.50 |

Electrical

| | |
|-------------------|------|
| Voltage - Maximum | 250V |
|-------------------|------|

Material Info

Reference - Drawing Numbers

| | |
|---------------|--------------|
| Sales Drawing | SD-94030-403 |
|---------------|--------------|

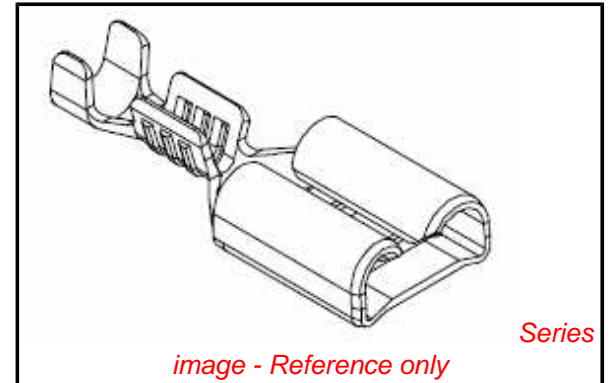


image - Reference only

EU RoHS

**ELV and RoHS
Compliant**
**REACH SVHC
Contains SVHC: No**
**Halogen-Free
Status**

China RoHS



**Need more information on product
environmental compliance?**

Email productcompliance@molex.com
 For a multiple part number RoHS Certificate of
 Compliance, [click here](#)

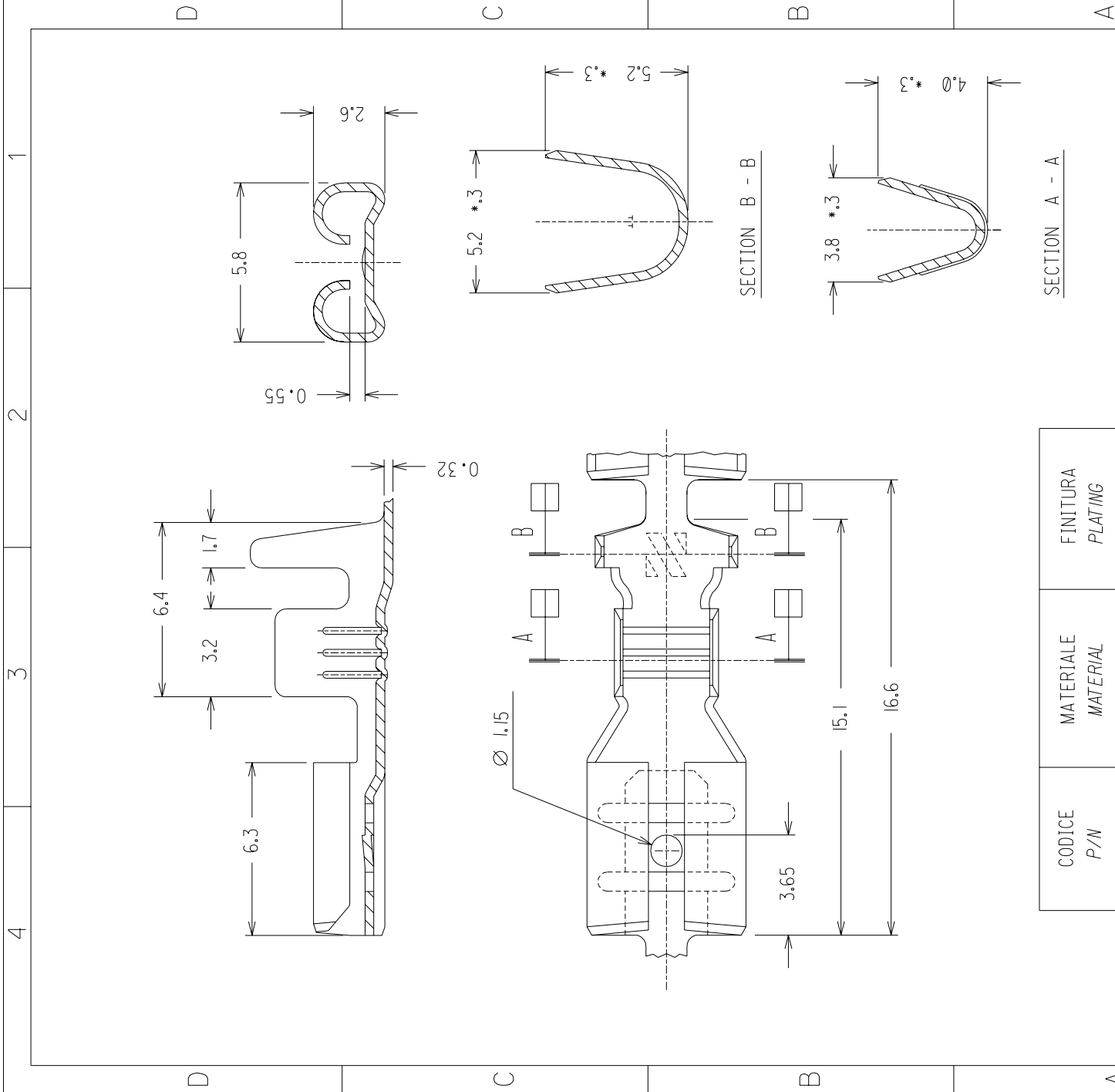
Please visit the [Contact Us](#) section for any
 non-product compliance questions.

Search Parts in this Series

94030Series

Use With

94095-6030 , 94095-6040



| CODICE P/N | MATERIALE MATERIAL | FINITURA PLATING |
|---------------|-----------------------|---------------------|
| 94030-4030 | OTTONE BRASS | GREGGIO/ PLAIN |
| 94030-4031 | | STAGNATO/ TIN |

EC N° : Z2004-0224
GZUN 2004/04/28

REVISIONS

LTR
A1

| DIMENSIONS SHOWN (METRIC) INCH | |
|---|----------|
| UNLESS OTHERWISE SPECIFIED TOLERANCES ANGULAR ±2° | |
| INCH | (METRIC) |
| 3 PLACE ± | |
| 2 PLACE ± | ± 0.1 |
| 1 PLACE ± | ± 0.2 |

| DESIGN DIMENSION (PRIMARY) | (MM) | (IN) |
|-------------------------------------|------|-------|
| <input checked="" type="checkbox"/> | | |
| <input type="checkbox"/> | | |
| EQUIVALENT DIMENSION (SECONDARY) | (MM) | (IN.) |
| <input type="checkbox"/> | | |
| <input type="checkbox"/> | | |

DRWG BY
F. Gottardo

CHK'D BY

APP'D BY
M. Previato

SCALE
5 : 1

CAD/CAM FILENAME
CAD FILE 030403XS

TITLE
CAPOCORDA FEMMINA PER MASCHIO 4.8 x 0.8
OIK KONNECT RECEPTACLE FOR 4.8 x 0.8 TABS

SEZ. RAME/ WIRE RANGE: 1.0-2.5 mm² — ISOLANTE/INS. RANGE: Ø 2.7-4.3 mm

| REVISE ONLY ON CAD SYSTEM | | SH. | REV. |
|---------------------------|---------------------------|---------|--------------|
| MOLEX INCORPORATED | | 1 / 1 | 22-12-89 |
| PART NO. | VEDI TABELLA SEE CHART | DWG NO. | SD-94030-403 |
| SIZE | | A | |