

Compact medium speed thick film thermal printhead (8dots / mm)

KD2004-CF20A

KD2004-CF20A is suitable for devices, such as high-speed POS and label printer applications, that require thermal printheads capable of higher printing rates. Improved power circuit design means that with heavier current it is possible to print at speeds as high as 150 mm/s. The GK Series is thus ideal for label printers that need high printing rates.

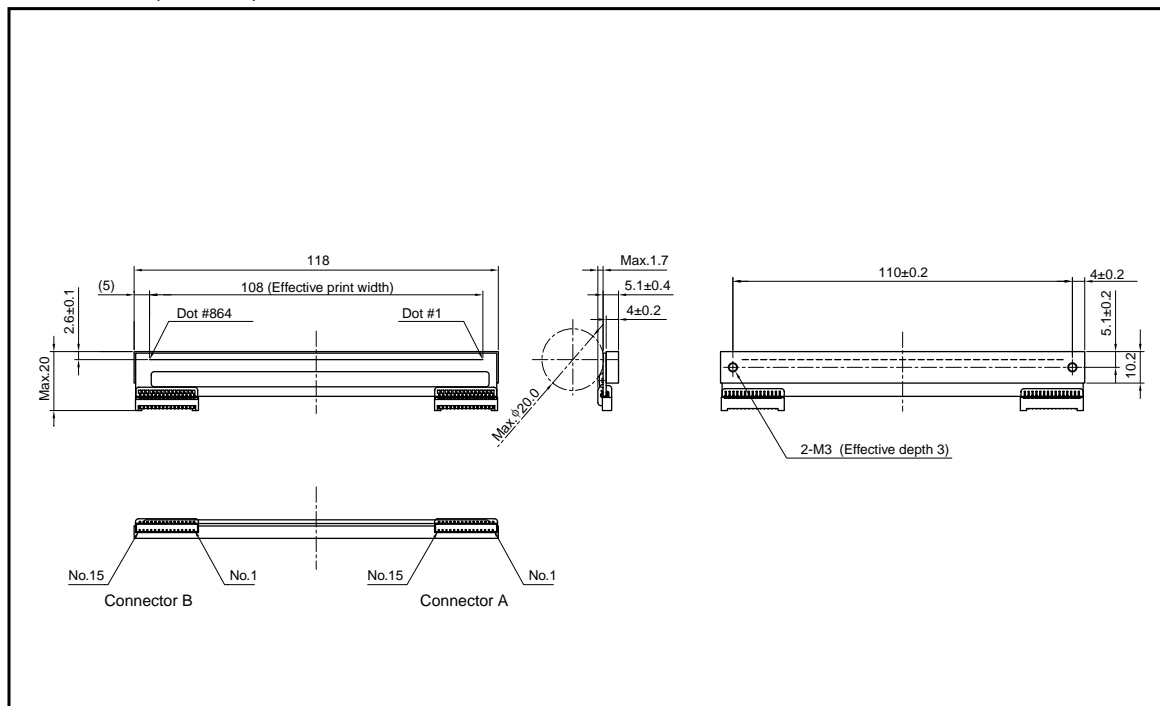
●Applications

POS terminals, Label printers, CAT terminals, Multi-purpose small-sized printers

●Features

- 1) Using a special compact partial glaze and new heating element structure, achieves high-speed printing at 150 mm/s.
- 2) The use of the highly-durable conductive protective film has improved countermeasures against static electricity.
- 3) The VH and GND sections of the power circuitry have been strengthened so that heavier current can be applied.
- 4) One rank resistance value of $800\Omega \pm 3\%$ eliminates the inconvenience of rank selection.
- 5) The required driving voltage of 3.15 to 5.25V allows wide range of power supply voltage setting. This also allows multiple choice of electronic components for printers.

●Dimensions (Unit : mm)



Printheads

●Equivalent circuit

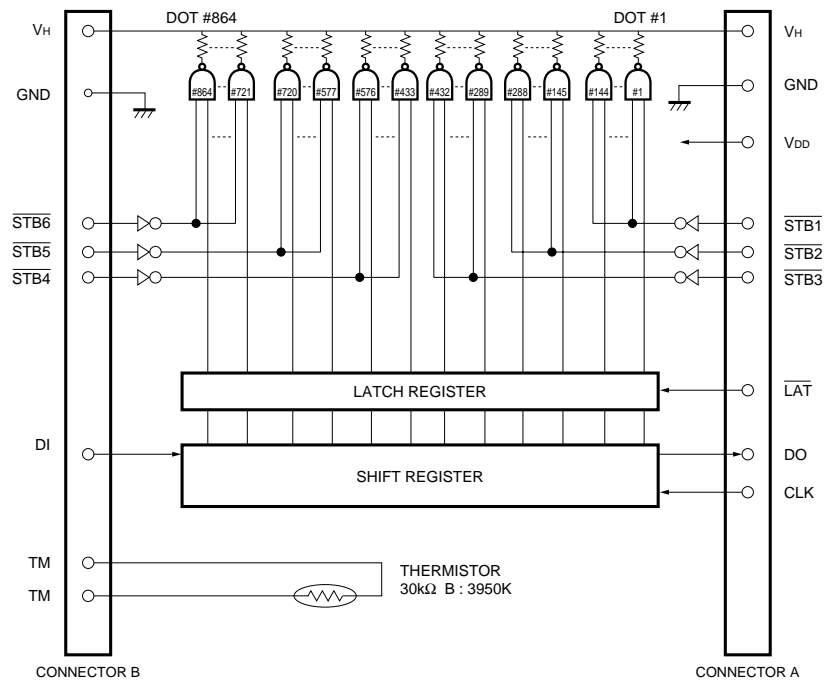


Fig. 1

●Pin assignments

CONNECTOR A	
No.	Circuit
1	VH
2	VH
3	VH
4	VH
5	DO
6	LAT
7	CLK
8	VDD
9	STB1
10	STB2
11	STB3
12	GND
13	GND
14	GND
15	GND

CONNECTOR B	
No.	Circuit
1	GND
2	GND
3	GND
4	GND
5	GND
6	TM
7	TM
8	STB4
9	STB5
10	STB6
11	DI
12	VH
13	VH
14	VH
15	VH

Printheads

●Timing chart

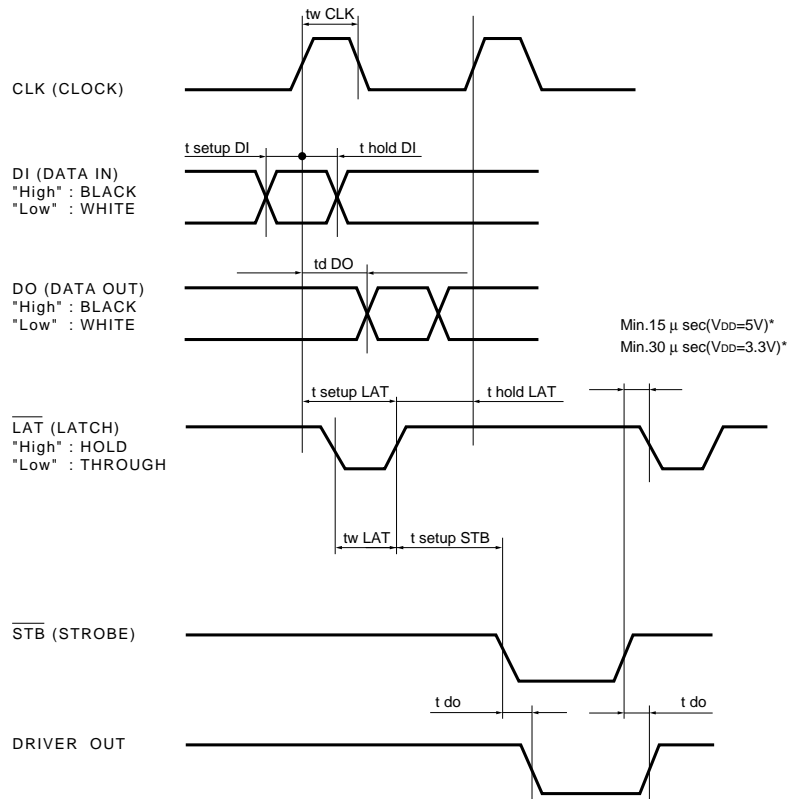


Fig.2

●Characteristics

Parameter	Symbol	Typical	Unit
Effective printing width	—	108	mm
Dot pitch	—	0.125	mm
Total dot number	—	864	dots
Average resistance value	Rave	800	Ω
Applied voltage	V_H	24.0	V
Applied power	P_o	0.59	W/dot
Print cycle	SLT	0.83	ms
Pulse width	T_{ON}	0.32	ms
Maximum number of dots energized simultaneously	—	432	dots
Maximum clock frequency	—	16	MHz
Maximum roller diameter	—	$\phi 20.0$	mm
Running life / pulse life	—	$50/5 \times 10^7$	km/pulses
Operating temperature	—	5 to 45	$^{\circ}C$

Printheads

●Electrical characteristic curves

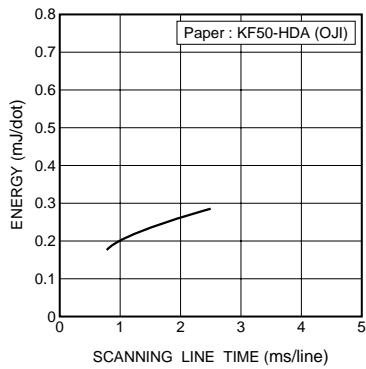


Fig.3 Adaptive speed chart

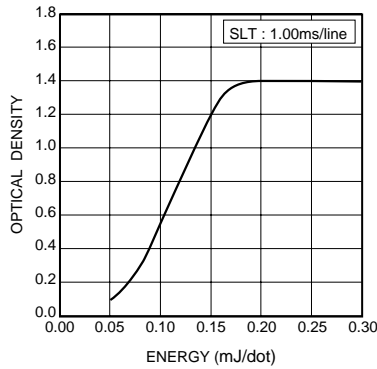


Fig.4 Representative density curve

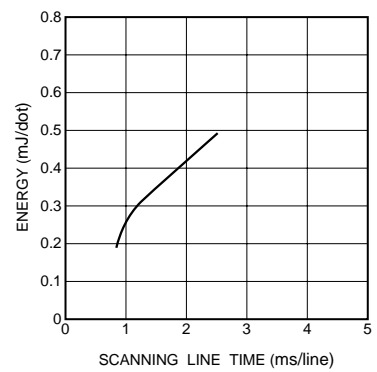


Fig.5 Maximum energy curve

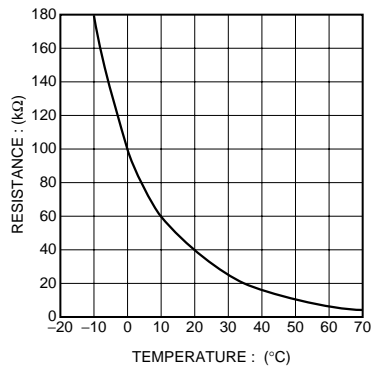


Fig.6 Thermistor curve

Notes

- No technical content pages of this document may be reproduced in any form or transmitted by any means without prior permission of ROHM CO.,LTD.
- The contents described herein are subject to change without notice. The specifications for the product described in this document are for reference only. Upon actual use, therefore, please request that specifications to be separately delivered.
- Application circuit diagrams and circuit constants contained herein are shown as examples of standard use and operation. Please pay careful attention to the peripheral conditions when designing circuits and deciding upon circuit constants in the set.
- Any data, including, but not limited to application circuit diagrams information, described herein are intended only as illustrations of such devices and not as the specifications for such devices. ROHM CO.,LTD. disclaims any warranty that any use of such devices shall be free from infringement of any third party's intellectual property rights or other proprietary rights, and further, assumes no liability of whatsoever nature in the event of any such infringement, or arising from or connected with or related to the use of such devices.
- Upon the sale of any such devices, other than for buyer's right to use such devices itself, resell or otherwise dispose of the same, no express or implied right or license to practice or commercially exploit any intellectual property rights or other proprietary rights owned or controlled by
- ROHM CO., LTD. is granted to any such buyer.
- Products listed in this document are no antiradiation design.

The products listed in this document are designed to be used with ordinary electronic equipment or devices (such as audio visual equipment, office-automation equipment, communications devices, electrical appliances and electronic toys).

Should you intend to use these products with equipment or devices which require an extremely high level of reliability and the malfunction of which would directly endanger human life (such as medical instruments, transportation equipment, aerospace machinery, nuclear-reactor controllers, fuel controllers and other safety devices), please be sure to consult with our sales representative in advance.

It is our top priority to supply products with the utmost quality and reliability. However, there is always a chance of failure due to unexpected factors. Therefore, please take into account the derating characteristics and allow for sufficient safety features, such as extra margin, anti-flammability, and fail-safe measures when designing in order to prevent possible accidents that may result in bodily harm or fire caused by component failure. ROHM cannot be held responsible for any damages arising from the use of the products under conditions out of the range of the specifications or due to non-compliance with the NOTES specified in this catalog.

Thank you for your accessing to ROHM product informations.

More detail product informations and catalogs are available, please contact your nearest sales office.

ROHM Customer Support System

THE AMERICAS / EUROPE / ASIA / JAPAN

www.rohm.com

Contact us : webmaster@rohm.co.jp