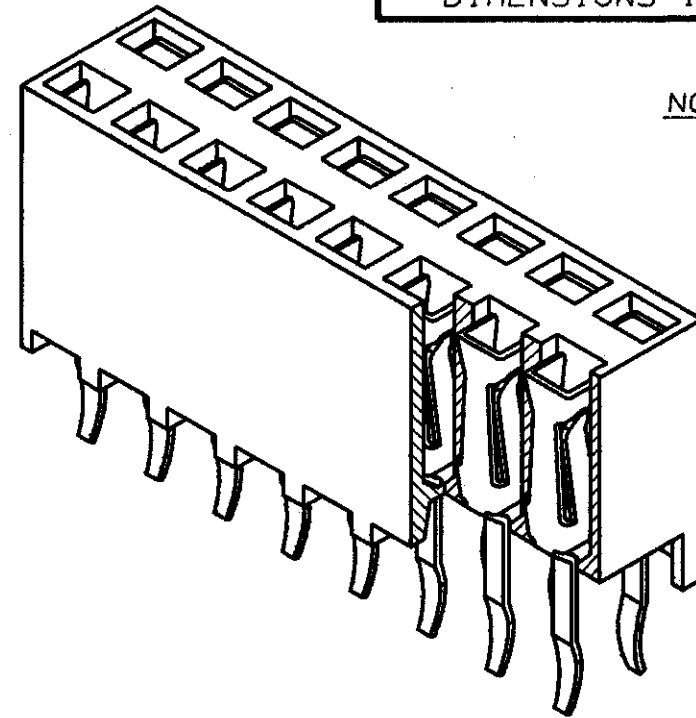
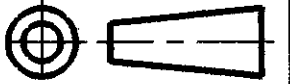


DO NOT SCALE

DIMENSIONS IN mm

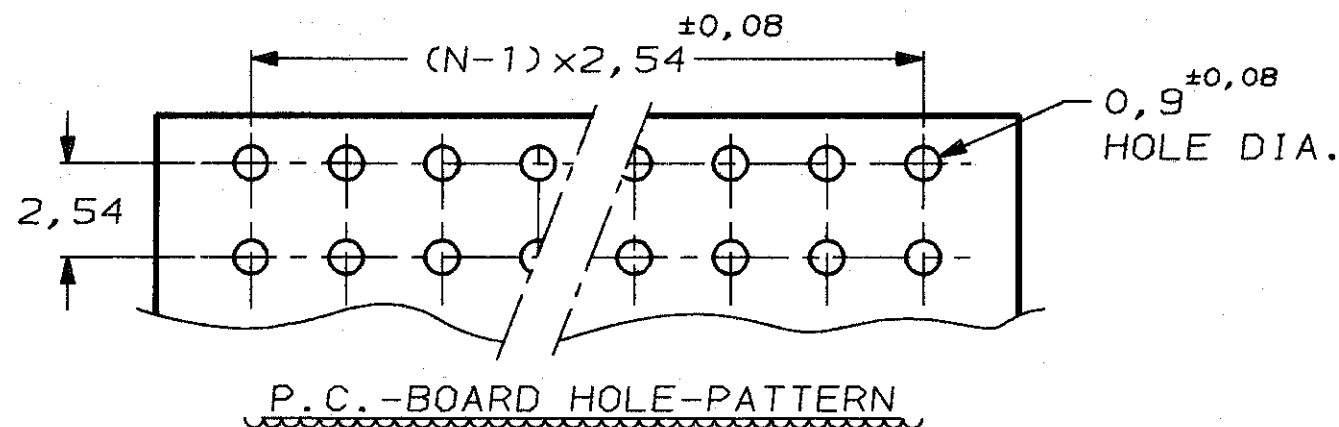
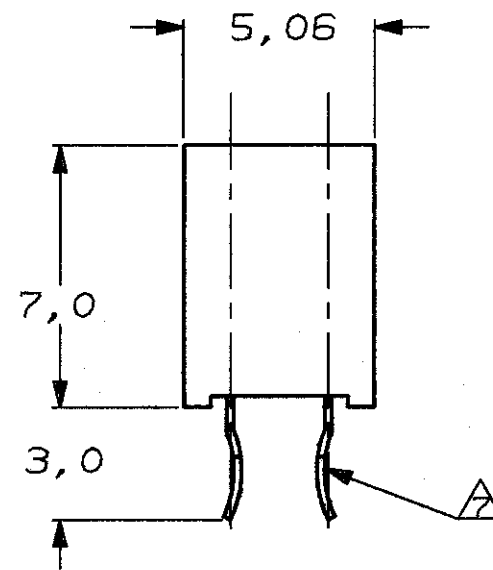
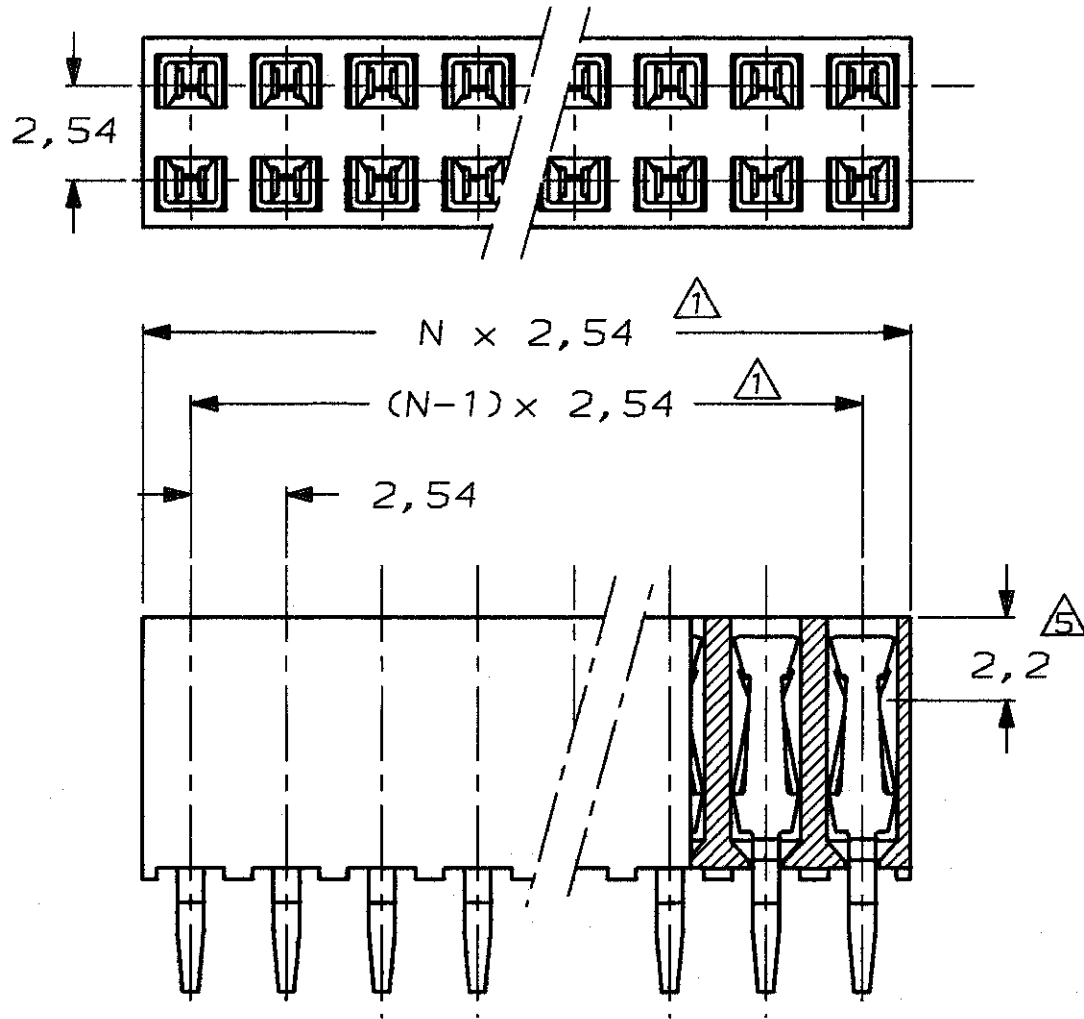
METRIC

THIRD ANGLE
PROJECTION



NOTES:

1. TO DETERMINE DIMENSIONS TAKE $2 \times N = \text{NR. OF POS.}$.
 FOR EXAMPLE: $2 \times 10 \text{ POS.} : N \times 2,54 = 25,4 \text{ mm.}$
 FOR ORDER NR. USE BASIC NR. + NR. OF POS.
 FOR EXAMPLE: $2 \times 2 \text{ POS.} = 215307-2$ (SHORTEST VERSION)
 $2 \times 36 \text{ POS.} = 3-215307-6$ (LONGEST VERSION)
 2. HOUSING MATERIAL: GREEN GLASSFILLED POLYESTER, UL 94V-0
 CONTACT MATERIAL: PHOSPHORBRONZE.
 3. PLATING: UNDERCOATING: $1,3 \mu\text{m Ni.}$
 AT CONT. PLACE: $0,8 \mu\text{m Au.}$
 AT SOLDER-TYNES: $2,5 \mu\text{m Sn.Pb.}$
 4. MATES WITH 0,63 SQUARE/ROUND MODU POSTS.
 5. CONTACT-POINT.
 6. RECOMMENDED P.C. BOARD-THICKNESS: 1,6.
- \triangle RETENTION FEATURE.



	SEE NOTES	SEE NOTES	SEE NOTES
	FINISH	MATERIAL	PARTNUMBER
CUSTOMER DRAWING	AMP-HOLLAND B.V. 's-Hertogenbosch, The Netherlands.		
	THIS DRAWING IS UNPUBLISHED RELEASED FOR PUBLICATION B.5.1987		
FOR REFERENCE ONLY WILL NOT BE UPDATED	© COPYRIGHT 1987 BY AMP-HOLLAND B.V. ALL INTERNATIONAL RIGHTS RESERVED. AMP PRODUCTS MAY BE COVERED BY U.S. AND FOREIGN PATENTS AND/OR PATENTS PENDING.		
DR. R. VISSER	DATE 08.05.87	WIRE RANGE -	NAME HV-100 VERTICAL CONNECTOR
CHK. W. SIMONS	DATE	INSUL. RANGE -	DUAL ROW, 7,0mm HEIGHT, TOP ENTRY, GOLD, MAX. 2x36 POSITIONS.
APP. L. v. SOEST	DATE	SIZE A3	SHEET 1 OF 1
		DWG. No.	C-215307
		REV. DATE	D M Y
		REV. LTR.	0

8 | 7 | 6 | 5 | 4 | 3 | 2 | 1