

PLEASE CHECK WWW.MOLEX.COM FOR LATEST PART INFORMATION

Part Number: [0855135004](#)
Status: **Active**
Overview: [modular_plugs_jacks](#)
Description: SMT Jack for Mating with F.C.C 68 Plugs, 4 Circuits

Documents:

[3D Model](#) [Product Specification PS-85513-002 \(PDF\)](#)
[Drawing \(PDF\)](#) [RoHS Certificate of Compliance \(PDF\)](#)
[Application Specification \(PDF\)](#)

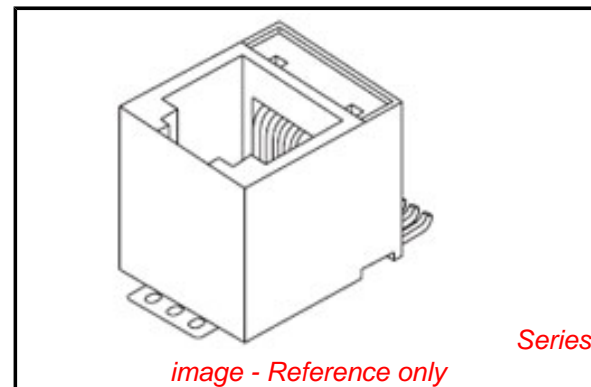
Agency Certification

UL E107635

General

| | |
|--------------------------------|-------------------------------------|
| Product Family | Modular Jacks/Plugs |
| Series | 85513 |
| Comments | Reel size:15" |
| Component Type | PCB Jack |
| Magnetic | No |
| Overview | modular_plugs_jacks |
| Performance Category | 3 |
| Power over Ethernet (PoE) | N/A |
| Product Name | RJ11 |
| Physical | |
| Boot Color | N/A |
| Color - Resin | Black |
| Durability (mating cycles max) | 500 |
| Flammability | 94V-0 |
| Inverted / Top Latch | No |
| Lightpipes/LEDs | None |
| Material - Metal | Brass |
| Material - Plating Mating | Gold |
| Material - Plating Termination | Tin |
| Material - Resin | High Temperature Thermoplastic |
| Orientation | Vertical (Top Entry) |
| PCB Locator | No |
| PCB Retention | Yes |
| Packaging Type | Embossed Tape on Reel |
| Pitch - Mating Interface (in) | 0.040 In |
| Pitch - Mating Interface (mm) | 1.02 mm |
| Pitch - Term. Interface (in) | 0.050 In |
| Pitch - Term. Interface (mm) | 1.27 mm |
| Plating min: Mating (µin) | 50.8 |
| Plating min: Mating (µm) | 1.27 |
| Plating min: Termination (µin) | 76 |
| Plating min: Termination (µm) | 1.9 |
| Ports | 1 |
| Positions / Loaded Contacts | 4/4 |
| Surface Mount Compatible (SMC) | Yes |
| Temperature Range - Operating | -40°C to +80°C |
| Termination Interface: Style | Surface Mount |
| Waterproof / Dustproof | No |
| Wire/Cable Type | N/A |

Electrical



EU RoHS

**ELV and RoHS
Compliant**
REACH SVHC
 Not Reviewed
**Halogen-Free
Status**
 Not Reviewed

China RoHS



**Need more information on product
environmental compliance?**

Email productcompliance@molex.com
 For a multiple part number RoHS Certificate of
 Compliance, [click here](#)

Please visit the [Contact Us](#) section for any
 non-product compliance questions.

Search Parts in this Series

[85513Series](#)

Mates With

[90075 series](#)

| | |
|-------------------------------|---------------|
| Current - Maximum per Contact | 1.5A |
| Shielded | No |
| Voltage - Maximum | 125V AC (RMS) |

Solder Process Data

| | |
|--|---------------------------|
| Duration at Max. Process Temperature (seconds) | 45 |
| Lead-free Process Capability | Reflow Capable (SMT only) |
| Max. Cycles at Max. Process Temperature | 3 |
| Process Temperature max. C | 260 |

Material Info

Reference - Drawing Numbers

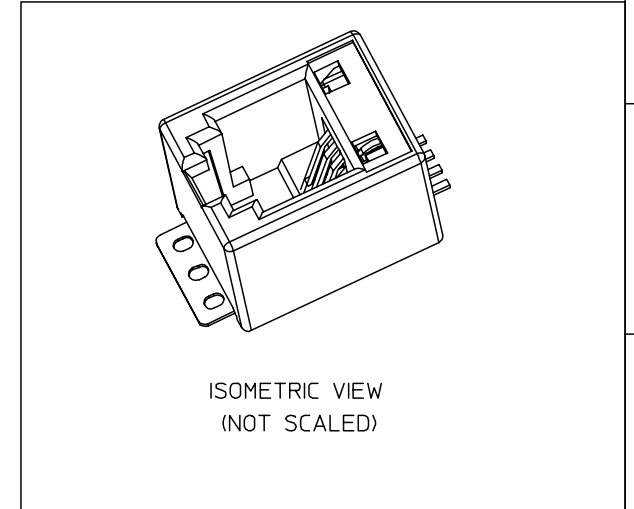
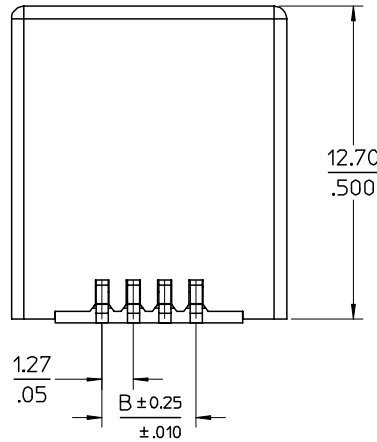
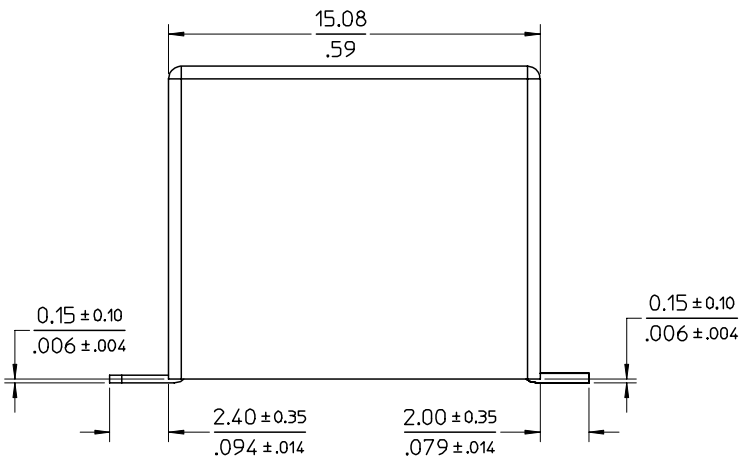
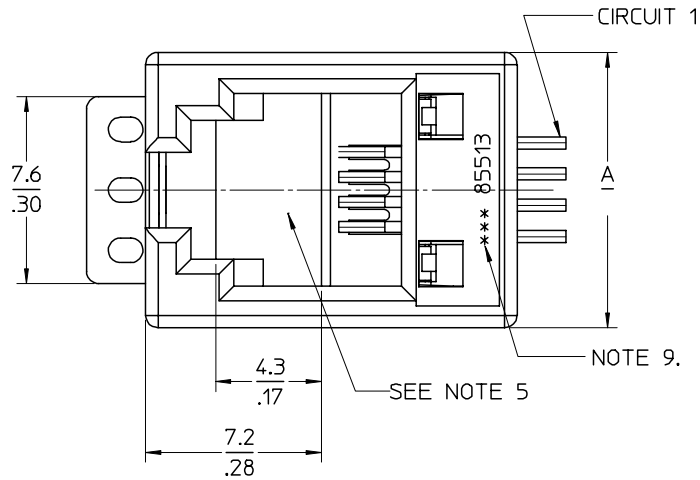
| | |
|-------------------------|--------------|
| Packaging Specification | PK-85513-001 |
| Product Specification | PS-85513-002 |
| Sales Drawing | SD-85513-010 |

This document was generated on 06/08/2010

PLEASE CHECK WWW.MOLEX.COM FOR LATEST PART INFORMATION

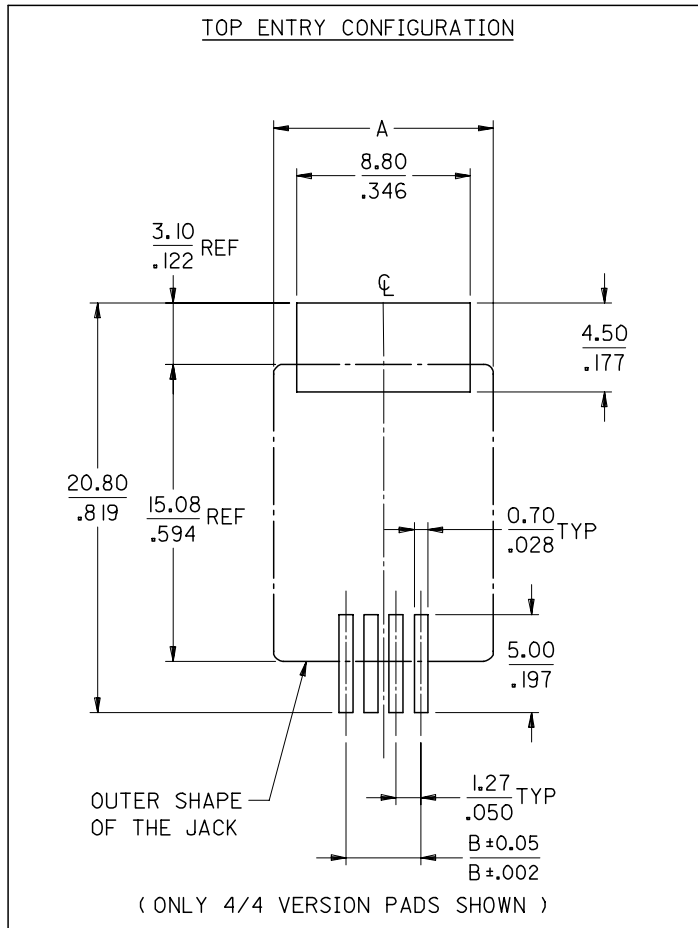
NOTES:

- 1- MATERIAL:
 - HOUSING:LCP GLASS FILLED UL 94-V0, COLOUR BLACK,
 - TERMINAL: BRASS PLATED WITH: 0.00127/.000050 MIN GOLD IN CONTACT AREA, 0.00190/.000075 MIN PURE TIN IN TAIL AREA, BOTH OVER 0.00127/.000050 MIN NICKEL OVERALL.
- 2- JACK FOR MATING WITH F.C.C.68 PLUGS (MOLEX 90075 SERIES).
- 3- PRODUCT SPECIFICATION: PS-85513-002.
- 4- PACKAGING SPECIFICATION (SEE CHART SHEET2):
 - PK-85513-001 SHEET 3 (BLISTER ON REEL 13")
 - PK-85513-001 SHEET 1 (BLISTER ON REEL 15")
 - PK-85513-001 SHEET 2 (BLISTER ON REEL 22")
- 5- FLAT SURFACE ON BOTH SIDES FOR PICK AND PLACE PURPOSE
- 6- COPLANARITY OF LEADS AND TABS: 0.10/.004 MAX
- 7- SEE RECOMMENDED PCB LAYOUT ON SHEET 2
- 8- FOR DRAWING PURPOSE, ONLY 4/4 VERSION SHOWN.
- 9- MANUFACTURING I.D CAN BE EITHER MXF,MG OR MXI.
- 10- APPLICATION SPEC AS-85513-001



| | | | | | | | | | | |
|---|--|--------------------|--|--|-----------------|--------------|--------------|--|-------|---|
| MODIFIED MATERIAL. EC NO: E2007-0716 DRWN:DBYRNES CHKD: APPR:EOMAHONY | 2007/02/15 2007/02/15 2007/02/15 | DESCRIPTION REV | QUALITY SYMBOLS | GENERAL TOLERANCES (UNLESS SPECIFIED) | DIMENSION STYLE | SCALE | DESIGN UNITS | THIRD ANGLE PROJECTION | | |
| | | | $\nabla=0$ $\sphericalangle=0$ | mm INCH 4 PLACES ± --- ± --- 3 PLACES ± --- ± .006 2 PLACES ± 0.15 ± .010 1 PLACE ± 0.25 ± --- ANGULAR ± 2 ° | MM/IN | 5:1 | METRIC | DRAWN BY DATE DBYRNES 2006/08/17 CHECKED BY DATE EOMAHONY 2006/08/17 APPROVED BY DATE EOMAHONY 2006/08/17 | TITLE | LOW PROFILE TOP ENTRY TRUE SMT JACK WITH P&P SURFACE(SHORT VERSION) |
| | | | DRAFT WHERE APPLICABLE MUST REMAIN WITHIN DIMENSIONS | SEE CHART | MATERIAL NO. | DOCUMENT NO. | SHEET NO. | MOLEX INCORPORATED SD-85513-010 1 OF 2 | | |
| | | | SIZE A3 | THIS DRAWING CONTAINS INFORMATION THAT IS PROPRIETARY TO MOLEX INCORPORATED AND SHOULD NOT BE USED WITHOUT WRITTEN PERMISSION | | | | | | |

RECOMMENDED PCB LAYOUTS
(SEE FROM COMPONENT SIDE)



| PART. NO. | HOUSING SIZE | LOADED CKTS | TOOLED | A | B | PACKAGING | PACKAGING SPEC. |
|------------|--------------|-------------|--------|---------------|--------------|---------------------|----------------------|
| 85513-5013 | 8 | 8 | YES | 15.24 .600 | 8.89 .350 | BLISTER ON REEL 13" | PK-85513-001 SHEET 3 |
| 85513-5001 | | | YES | | | BLISTER ON REEL 15" | PK-85513-001 SHEET 1 |
| 85513-5009 | | | YES | | | BLISTER ON REEL 22" | PK-85513-001 SHEET 2 |
| 85513-5014 | 6 | 6 | YES | 13.21 .520 | 6.35 .250 | BLISTER ON REEL 13" | PK-85513-001 SHEET 3 |
| 85513-5002 | | | YES | | | BLISTER ON REEL 15" | PK-85513-001 SHEET 1 |
| 85513-5010 | | | YES | | | BLISTER ON REEL 22" | PK-85513-001 SHEET 2 |
| 85513-5015 | 6 | 4 | YES | 13.21 .520 | 3.81 .150 | BLISTER ON REEL 13" | PK-85513-001 SHEET 3 |
| 85513-5003 | | | YES | | | BLISTER ON REEL 15" | PK-85513-001 SHEET 1 |
| 85513-5011 | | | YES | | | BLISTER ON REEL 22" | PK-85513-001 SHEET 2 |
| 85513-5016 | 4 | 4 | YES | 11.18 .440 | 3.81 .150 | BLISTER ON REEL 13" | PK-85513-001 SHEET 3 |
| 85513-5004 | | | YES | | | BLISTER ON REEL 15" | PK-85513-001 SHEET 1 |
| 85513-5012 | | | YES | | | BLISTER ON REEL 22" | PK-85513-001 SHEET 2 |

| | | | | | | |
|---|-----------------|--|--|--|---|------------------------|
| SEE SHEET 1 EC NO: E2007-0716 DRWN: DBYRNES 2007/02/15 CHKD: 2007/02/15 APPR: EOMAHONY 2007/02/15 | QUALITY SYMBOLS | GENERAL TOLERANCES (UNLESS SPECIFIED) | DIMENSION STYLE MM/IN | SCALE 1:1 | DESIGN UNITS METRIC | THIRD ANGLE PROJECTION |
| | ▽=0 ∇=0 | 4 PLACES ± --- ± --- 3 PLACES ± --- ± .006 2 PLACES ± 0.15 ± .010 1 PLACE ± 0.25 ± --- ANGULAR ± 2 ° | DRAWN BY DATE DBYRNES 2006/08/17 CHECKED BY DATE EOMAHONY 2006/08/17 APPROVED BY DATE EOMAHONY 2006/08/17 | TITLE | LOW PROFILE TOP ENTRY TRUE SMT JACK WITH P&P SURFACE(SHORT VERSION) | |
| | | DRAFT WHERE APPLICABLE MUST REMAIN WITHIN DIMENSIONS | MATERIAL NO. SEE CHART | MOLEX INCORPORATED DOCUMENT NO. SD-85513-010 | SHEET NO. 2 OF 2 | |
| | | | THIS DRAWING CONTAINS INFORMATION THAT IS PROPRIETARY TO MOLEX INCORPORATED AND SHOULD NOT BE USED WITHOUT WRITTEN PERMISSION | | | |