

PLEASE CHECK WWW.MOLEX.COM FOR LATEST PART INFORMATION

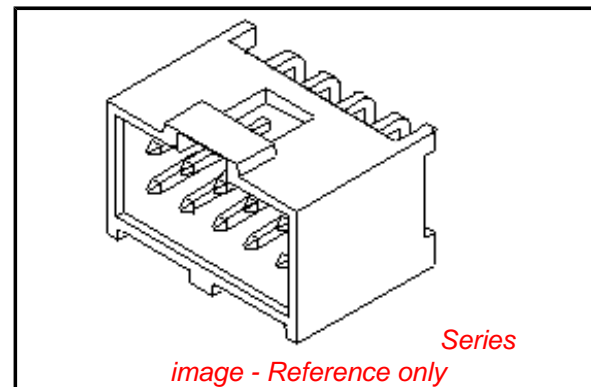
Part Number: [0918143108](#)
Status: **Active**
Overview: [cgrid_iii](#)
Description: 2.54mm (.100") Pitch C-Grid III™ Dual Row Right Angle Shrouded Header, 8 Circuits, Tin (Sn) over Nickel (Ni)

Documents:

[3D Model](#) [Product Specification PS-99020-0001 \(PDF\)](#)
[Drawing \(PDF\)](#) [RoHS Certificate of Compliance \(PDF\)](#)

General

Product Family	PCB Headers
Series	91814
Application	Wire-to-Board
Overview	cgrid_iii
Product Name	C-Grid III™
Physical	
Breakaway	No
Circuits (Loaded)	8
Circuits (maximum)	8
Color - Resin	Black
Durability (mating cycles max)	30
First Mate / Last Break	No
Glow-Wire Compliant	No
Guide to Mating Part	No
Keying to Mating Part	None
Lock to Mating Part	None
Material - Metal	Brass
Material - Plating Mating	Tin
Material - Plating Termination	Tin
Material - Resin	High Temperature Thermoplastic
Number of Rows	2
Orientation	Right Angle
PC Tail Length (in)	0.083 In
PC Tail Length (mm)	2.10 mm
PCB Locator	No
PCB Retention	None
PCB Thickness Recommended (in)	0.063 In
PCB Thickness Recommended (mm)	1.60 mm
Packaging Type	Tray
Pitch - Mating Interface (in)	0.100 In
Pitch - Mating Interface (mm)	2.54 mm
Pitch - Term. Interface (in)	0.100 In
Pitch - Term. Interface (mm)	2.54 mm
Plating min: Mating (µin)	120
Plating min: Mating (µm)	3
Plating min: Termination (µin)	120
Plating min: Termination (µm)	3
Polarized to Mating Part	Yes
Polarized to PCB	No
Shrouded	Closed Ends
Stackable	No
Surface Mount Compatible (SMC)	Yes
Temperature Range - Operating	-55°C to +125°C
Termination Interface: Style	Through Hole



EU RoHS

ELV and RoHS Compliant
REACH SVHC
 Not Reviewed
Halogen-Free Status

China RoHS



Need more information on product environmental compliance?

Email productcompliance@molex.com
 For a multiple part number RoHS Certificate of Compliance, [click here](#)

Please visit the [Contact Us](#) section for any non-product compliance questions.

Search Parts in this Series

[91814Series](#)

Mates With

[90142 C-Grid III™ Crimp Housing](#). [90119 C-Grid III™ Crimp Terminal](#)

Electrical

Current - Maximum per Contact 3A
Voltage - Maximum 350V AC/DC

Solder Process Data

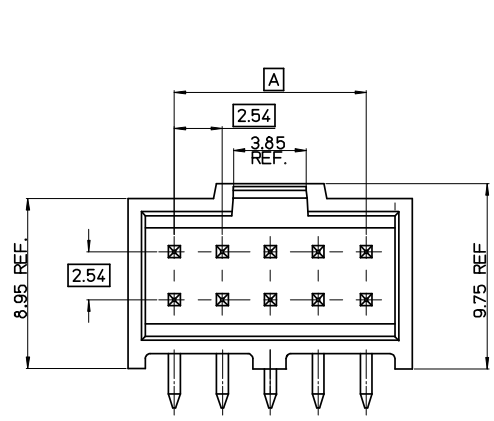
Duration at Max. Process Temperature (seconds) 5
Lead-free Process Capability Wave Capable (TH only)
Max. Cycles at Max. Process Temperature 1
Process Temperature max. C 260

Material Info**Reference - Drawing Numbers**

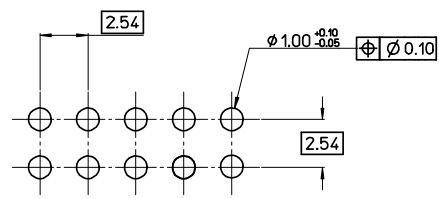
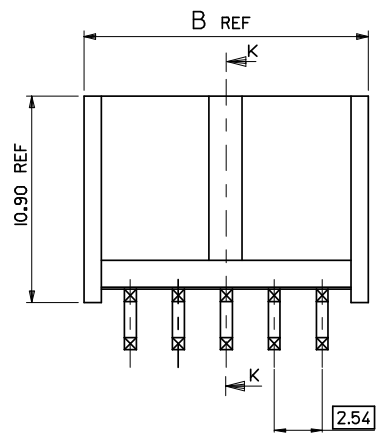
Packaging Specification PK-91814-005
Product Specification PS-99020-0001
Sales Drawing SD-91814-001

This document was generated on 05/26/2010

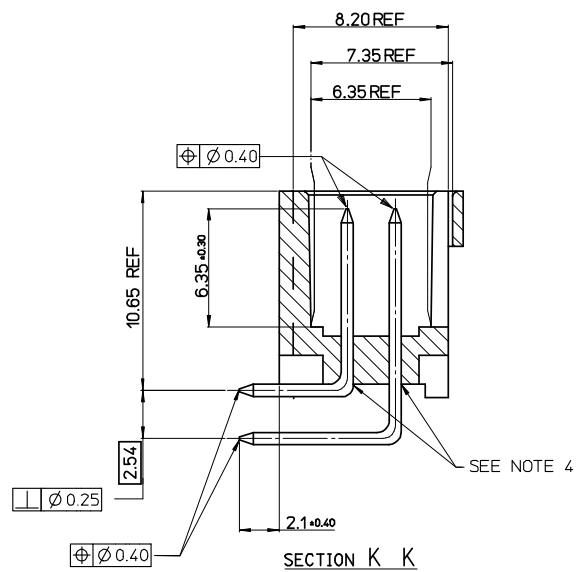
PLEASE CHECK WWW.MOLEX.COM FOR LATEST PART INFORMATION



VERSION FULLY LOADED



RECOMENDEC P.C. BOARD HOLE PATTERN



SECTION K K

HSG CKT SIZE	PART NUMBER	DIM A	DIM B
6	91814-3106	5.08	9.96
8	91814-3108	7.62	12.50
10	91814-3110	10.16	15.04
12	91814-3112	12.70	17.58
14	91814-3114	15.24	20.12
16	91814-3116	17.78	22.66
18	91814-3118	20.32	25.20
20	91814-3120	22.86	27.74
22	91814-3122	25.40	30.28
24	91814-3124	27.94	32.82
26	91814-3126	30.48	35.36
28	91814-3128	33.02	37.90
30	91814-3130	35.56	40.44
32	91814-3132	38.10	42.98
34	91814-3134	40.64	45.52
36	91814-3136	43.18	48.06
38	91814-3138	45.72	50.60
40	91814-3140	48.26	53.14
42	91814-3142	50.80	55.68
44	91814-3144	53.34	58.22
46	91814-3146	55.88	60.76
48	91814-3148	58.42	63.30
50	91814-3150	60.96	65.84

NOTES:

- MATERIAL:
PIN: 0.647 REF SQ. BRASS WIRE.
HOUSING: (PCT) 30% GLASS FILLED POLYESTER UL 94 V-0
COLOUR: BLACK
- PLATING:
TIN 3.0µm MIN. OVER NICKEL.
- PIN RETENTION FORCE 20N MIN. IN BOTH DIRECTIONS.
- HOUSING FLASH PERMISSIBLE IN THIS AREA.
- PRODUCT SPECIFICATION: PS-99020-0001
- PCB THICKNESS 1.6MM

MODIFIED PIN DIM ADDED REF. DIMS EC NO: E2008-0144 DRWN: DBYRNES 2008/04/10 CHKD: DWALLACE 2008/04/11 APPR: JWALLACE 2008/04/11	QUALITY SYMBOLS	GENERAL TOLERANCES (UNLESS SPECIFIED)	DIMENSION STYLE	SCALE	DESIGN UNITS	THIRD ANGLE PROJECTION															
	$\nabla=0$ $\nabla=0$	<table border="1"> <tr><th colspan="2">mm</th><th>INCH</th></tr> <tr><td>4 PLACES</td><td>± ---</td><td>± ---</td></tr> <tr><td>3 PLACES</td><td>± ---</td><td>± ---</td></tr> <tr><td>2 PLACES</td><td>± 0.15</td><td>± ---</td></tr> <tr><td>1 PLACE</td><td>± 0.25</td><td>± ---</td></tr> </table>	mm		INCH	4 PLACES	± ---	± ---	3 PLACES	± ---	± ---	2 PLACES	± 0.15	± ---	1 PLACE	± 0.25	± ---	MM ONLY	5:1	METRIC	
	mm		INCH																		
	4 PLACES	± ---	± ---																		
3 PLACES	± ---	± ---																			
2 PLACES	± 0.15	± ---																			
1 PLACE	± 0.25	± ---																			
DESCRIPTION	DRAFT WHERE APPLICABLE MUST REMAIN WITHIN DIMENSIONS	<table border="1"> <tr><td>DRAWN BY</td><td>DATE</td></tr> <tr><td>DWASZKIEWICZ</td><td>2006/06/15</td></tr> <tr><td>CHECKED BY</td><td>DATE</td></tr> <tr><td>J DENNEHY</td><td>2006/09/29</td></tr> <tr><td>APPROVED BY</td><td>DATE</td></tr> <tr><td>J DENNEHY</td><td>2006/09/29</td></tr> </table>	DRAWN BY	DATE	DWASZKIEWICZ	2006/06/15	CHECKED BY	DATE	J DENNEHY	2006/09/29	APPROVED BY	DATE	J DENNEHY	2006/09/29	TITLE		C-GRID III DUAL ROW R/A PIN SHROUDED HEADER ROHS COMPATIBLE				
DRAWN BY	DATE																				
DWASZKIEWICZ	2006/06/15																				
CHECKED BY	DATE																				
J DENNEHY	2006/09/29																				
APPROVED BY	DATE																				
J DENNEHY	2006/09/29																				
REV			MATERIAL NO.	DOCUMENT NO.	SHEET NO.																
			SEE CHART	SD-91814-001	1 OF 1																
			THIS DRAWING CONTAINS INFORMATION THAT IS PROPRIETARY TO MOLEX INCORPORATED AND SHOULD NOT BE USED WITHOUT WRITTEN PERMISSION																		