

# CR Series Round Single Pole Specialty Rocker Switches

## Features/Benefits

- Round actuator and body
- Nice styling
- Multiple illuminated versions available
- IP65 splash proof rubber boot option

## Typical Applications

- Appliances, small and large
- Office equipment
- Computers and peripherals
- Audio/Video equipment
- RoHS compliant



Models Available

## Specifications

CONTACT RATING:  
 UL: 16 AMPS @ 125 VAC, 10 AMPS @ 250 VAC.  
 VDE  $\mu$  T85: 16 AMPS @ 125 VAC, 10 AMPS @ 250 VAC.  
 ELECTRICAL LIFE: 10,000 make and break cycles at full load.  
 INSULATION RESISTANCE:  $10^8 \Omega$  min.  
 DIELECTRIC STRENGTH: 1,500 VRMS @ sea level.  
 OPERATING TEMPERATURE: -20°C to + 85°C

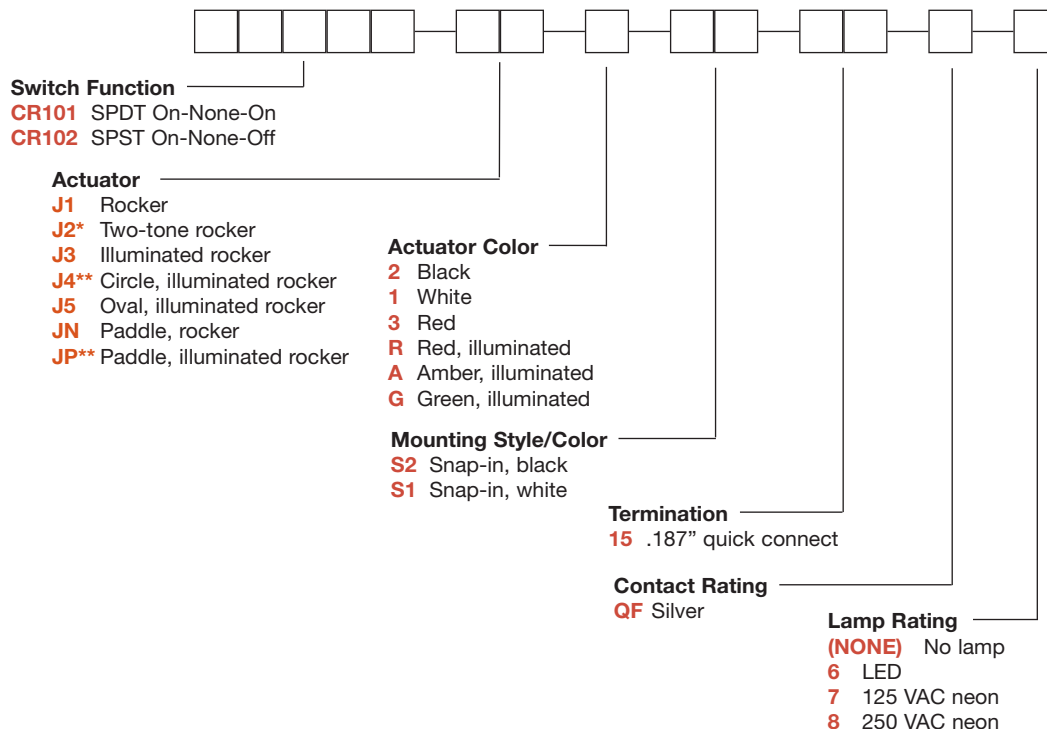
## Materials

HOUSING AND ACTUATOR: 6/6 nylon (UL94V-2), matte finish.  
 ILLUMINATED ACTUATOR: Polycarbonate, matte finish.  
 CENTER CONTACTS: Silver plated, copper alloy.  
 END CONTACTS: Silver plated  $AgSnO_2InO_3$ .  
 ALL TERMINALS: Silver plated, copper alloy.

**NOTE:** Specifications and materials listed above are for switches with standard options. For information on specific and custom switches, consult Customer Service Center.

## Build-A-Switch

To order, simply select desired option from each category and place in the appropriate box. Available options are shown and described on pages G-83 through G-85. For additional options not shown in catalog, consult Customer Service Center.



\* Refer to table on page 84 for actuator options.  
 \*\* VDE rating for JP: 10 A @ 125 VAC / 6 A at 250 VAC.

Rocker



G

**C&K**

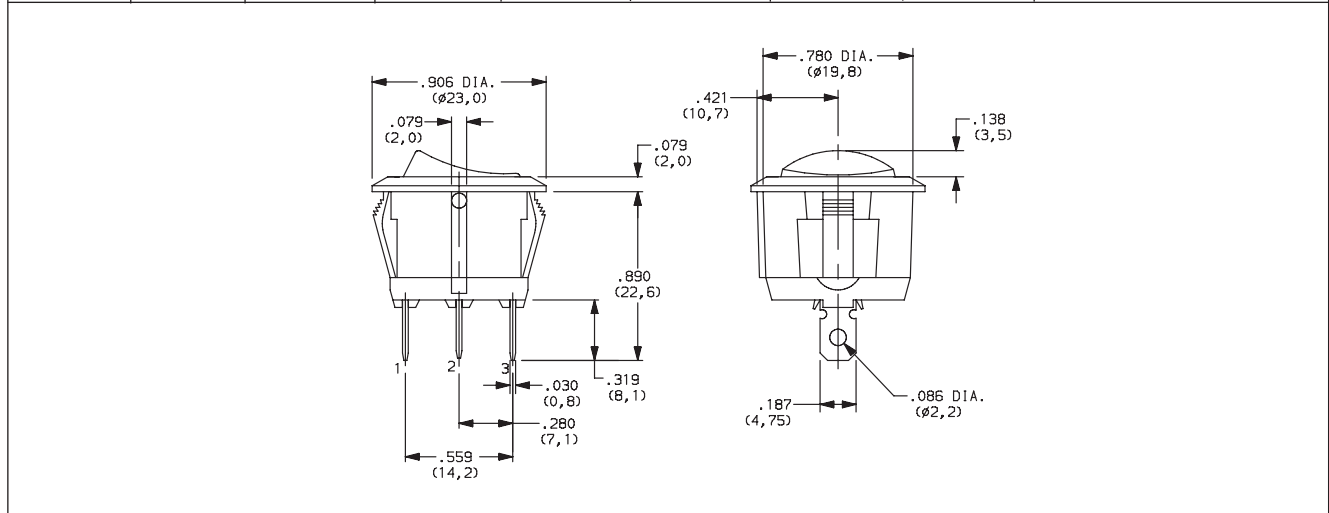
Dimensions are shown: Inches (mm)  
 Specifications and dimensions subject to change

# CR Series Round Single Pole Specialty Rocker Switches

## SWITCH FUNCTION



NO. POLES	MODEL NO.	SWITCH FUNCTION			CONNECTED TERMINALS			SCHEMATIC
		Pos. 1	Pos. 2	Pos. 3	Pos. 1	Pos. 2	Pos. 3	
	<b>CR101</b>	ON	NONE	ON	2-3		2-1	
	<b>CR102</b>	ON	NONE	OFF		N/A		 For 7 & 8 Illuminated Versions

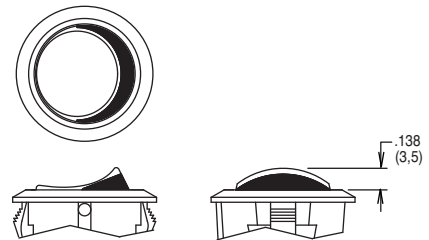
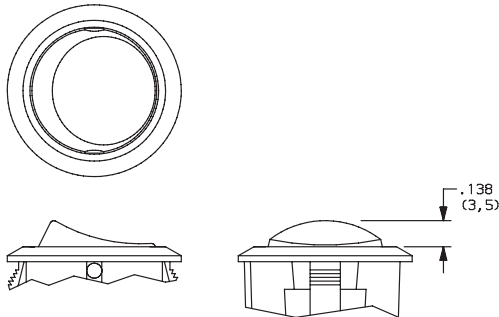


## ACTUATOR



- J1** ROCKER
- J3** ILLUMINATED ROCKER

- J2** TWO-TONE ROCKER



**NOTE:** J3 actuator available with the combination of 7 & 8 lamp ratings and CR102 switch function only.



Third Angle Projection

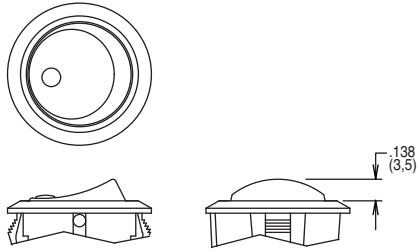
Dimensions are shown: Inches (mm)  
Specifications and dimensions subject to change



# CR Series Round Single Pole Specialty Rocker Switches

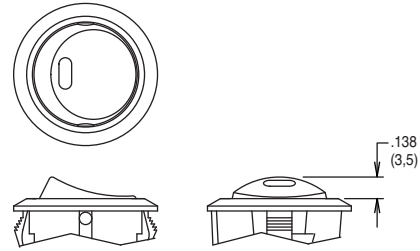
## ACTUATOR

**J4** CIRCLE, ILLUMINATED ROCKER



**NOTE:** Available with the combination of CR102 switch function and 7 & 8 lamp ratings only.

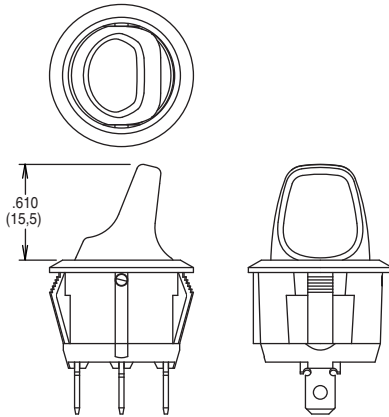
**J5** OVAL, ILLUMINATED ROCKER



**NOTE:** Available with the combination of CR102 switch function and 6 lamp rating only.

**JN** PADDLE, ROCKER

**JP** PADDLE, ILLUMINATED ROCKER



**NOTE:** JP actuator available with the combination of CR102 switch function and 7 & 8 lamp ratings only.

## ACTUATOR COLOR

ACTUATOR	OPTION CODE	ACTUATOR COLOR
<b>J1</b>	<b>2</b>	BLACK
	<b>1</b>	WHITE
	<b>3</b>	RED
<b>J3, J4</b> <b>J5, JP</b>	<b>R</b>	RED, ILLUMINATED
	<b>A</b>	AMBER, ILLUMINATED
	<b>G</b>	GREEN, ILLUMINATED

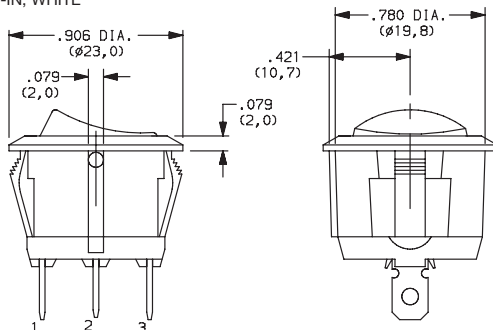
OPTION CODE	ACTUATOR COLOR	
	TOP	BOTTOM
<b>1</b>	WHITE	RED
<b>2</b>	WHITE	BLACK
<b>3</b>	RED	WHITE
<b>4</b>	BLACK	WHITE
<b>5</b>	BLACK	RED

J2 actuator only

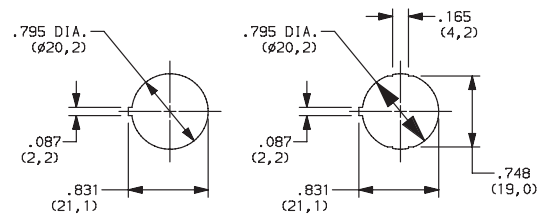
## MOUNTING STYLE/COLOR

**S2** SNAP-IN, BLACK

**S1** SNAP-IN, WHITE



PANEL MOUNTING

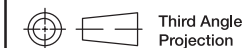


Rocker



G

**C&K**



Third Angle Projection

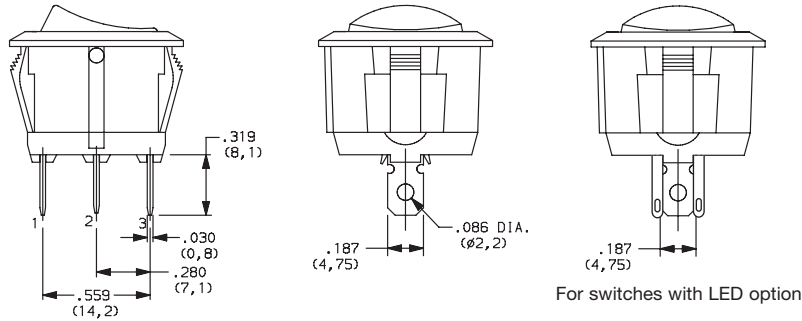
Dimensions are shown: Inches (mm)  
Specifications and dimensions subject to change

# CR Series Round Single Pole Specialty Rocker Switches

## TERMINATION




**15** .187" QUICK CONNECT



## CONTACT MATERIAL



OPTION CODE	CONTACT AND TERMINAL MATERIAL	RATINGS	
<b>QF</b>	SILVER	POWER	16 AMPS @ 125 VAC; 10 AMPS @ 250 VAC 

\* Note: See Technical Data section of this catalog for RoHS compliant and compatible definitions and specifications.

## LAMP RATING



**(NONE)** NO LAMP

**6** LED RATING @ 10 mA  $V_f=1.85V$

**7** 125 VAC 33kΩ NEON

**8** 250 VAC 150kΩ NEON

## ACCESSORIES

**377C00000** IP65 SPLASH PROOF RUBBER BOOT

