

FEATURES

- HIGH RELIABILITY FOR LOW COST
- CHEAPEST AVAILABLE SMD-CLOCK-OSCILLATOR
- FREQUENCY STABILITY TO +/-15 PPM AVAILABLE
- SUPPLY VOLTAGE OF 5.0, 3.3, 2.5 AND 1.8 VDC AVAILABLE
- NEW STANDARD FOR SMALL LOW COST OSCILLATORS
- EXTENDED WORKING TEMPERATURE RANGE TO -40/+105°C AVAILABLE

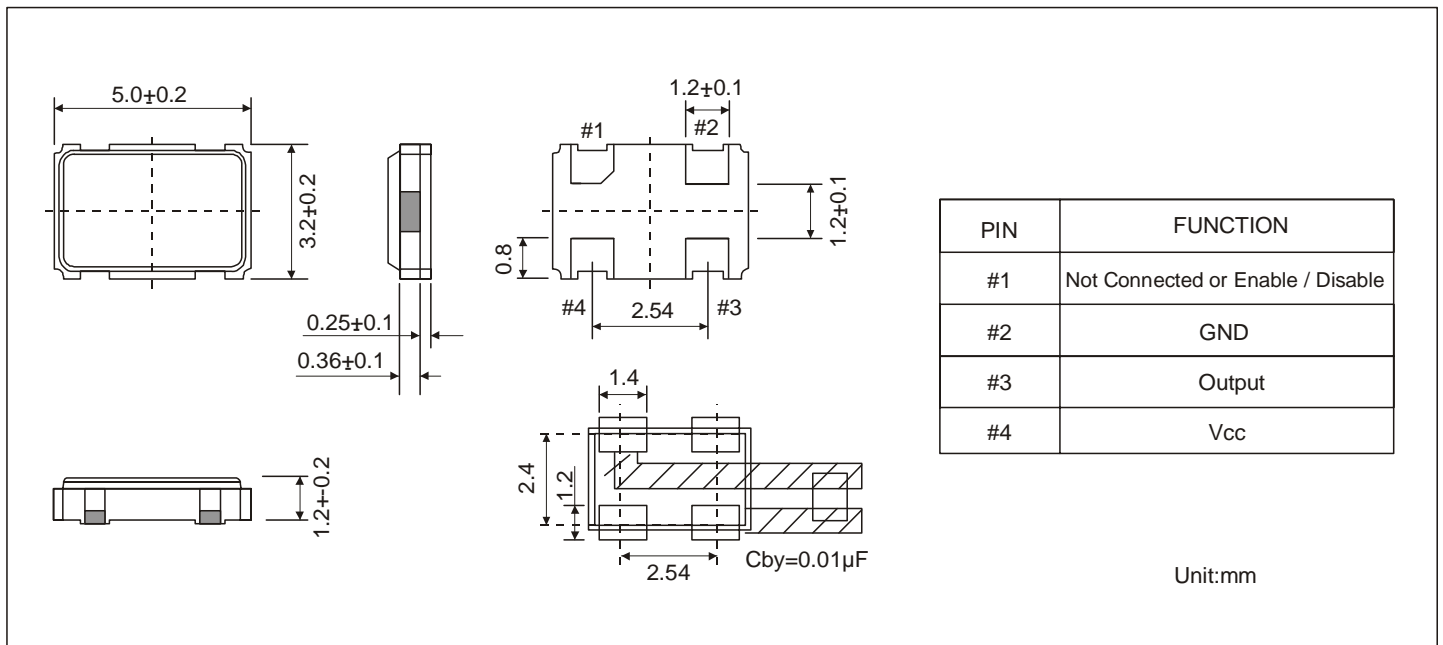


SMD-LOW-COST CLOCK-OSCILLATOR SERIES			SXO-05032			
PACKAGE			Ceramic package 5.0 x 3.2 x 1.2 mm ³			
FREQUENCY RANGE	5.0 VOLT		1.0 ~ 125.0 MHz			
	3.3 VOLT		1.0 ~ 125.0 MHz			
	1.8 VOLT		1.0 ~ 100.0 MHz			
FREQUENCY STABILITY			+/-15 ~ +/-100 PPM			
AGING			+/-2 ppm max. per year			
OPERATING TEMPERATURE RANGE			-10/+60°C ~ -40/+105°C			
STORAGE TEMPERATURE RANGE			-55/+125°C			
INPUT	VOLTAGE	+1.8 VDC +/-5%	+3.3 VDC +/-10%	+5.0 VDC +/-10%		
	CURRENT	1.0 ~ 4.0 MHz = 10 mA max.		1.0 ~ 4.0 MHz = 10 mA max.		1.0 ~ 4.0 MHz = 10 mA max.
		4.0 ~ 32.0 MHz = 20 mA max.		4.0 ~ 32.0 MHz = 20 mA max.		4.0 ~ 32.0 MHz = 30 mA max.
		32.0 ~ 80.0 MHz = 30 mA max.		32.0 ~ 80.0 MHz = 30 mA max.		32.0 ~ 80.0 MHz = 45 mA max.
		80.0 ~ 100.0 MHz = 40 mA max.		80.0 ~ 100.0 MHz = 40 mA max.		80.0 ~ 100.0 MHz = 80 mA max.
			Lower input currents are available on request. Please indicate the special value when required.			
OUTPUT	SYMMETRY	STANDARD	40/60%			
		OPTION	45/55%			
	RISE AND FALL TIME		5 ns typical / 10 ns max.			
	"0" LEVEL	TTL 5 VOLT	0.4 V max.			
	"1" LEVEL		+2.4 V min.			
	"0" LEVEL	CMOS 5 VOLT	10% VDD max.			
	"1" LEVEL		90% VDD min.			
	"0" LEVEL	TTL 3.3 VOLT	0.4 V max.			
	"1" LEVEL		+1.4 V min.			
	"0" LEVEL	CMOS 3.3 VOLT	10% VDD min.			
	"1" LEVEL		90% VDD max.			
	"0" LEVEL	CMOS 1.8 VOLT	10% VDD min.			
"1" LEVEL	90% VDD max.					
LOAD	TTL	1 ~ 10 TTL				
	CMOS	15 ~ 50 pF (1.8 VDC = 15 pF max.)				
PIN 1	STANDARD	WITHOUT ENABLE/DISABLE FUNCTION				
	OPTION	WITH ENABLE/DISABLE FUNCTION				
OTHER PARAMETERS ARE AVAILABLE ON REQUEST / CREATE HERE YOUR SPECIFICATION						

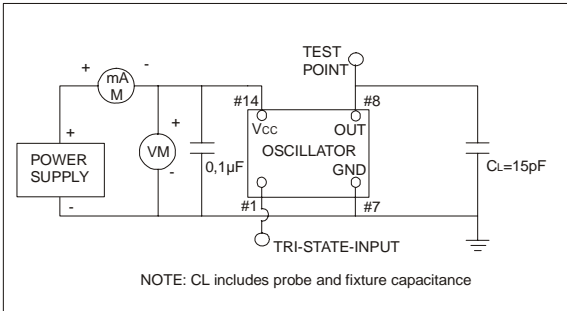
PART NUMBERING SYSTEM

EXAMPLE	SXO3-05032-S-E-50-W-27.000MHz-T
SERIES	SXO-05032 FOR 5 VOLT
	SXO3-05032 FOR 3.3 VOLT
	SXO18-05032 FOR 1.8 VOLT
SYMMETRY	BLANK FOR 40/60%
	S FOR 45/55%
PIN 1 ENABLE/DISABLE	BLANK FOR NO E/D
	E FOR E/D
FREQUENCY STABILITY	BLANK FOR 100 PPM
	ANY 15 ~ 50 PPM
TEMPERATURE RANGE	BLANK FOR 0/+70°C
	N = -10/+60°C
	M = -20/+70°C
	W = -40/+85°C
FREQUENCY	FREQUENCY IN MHz
TAPE AND REEL	-T

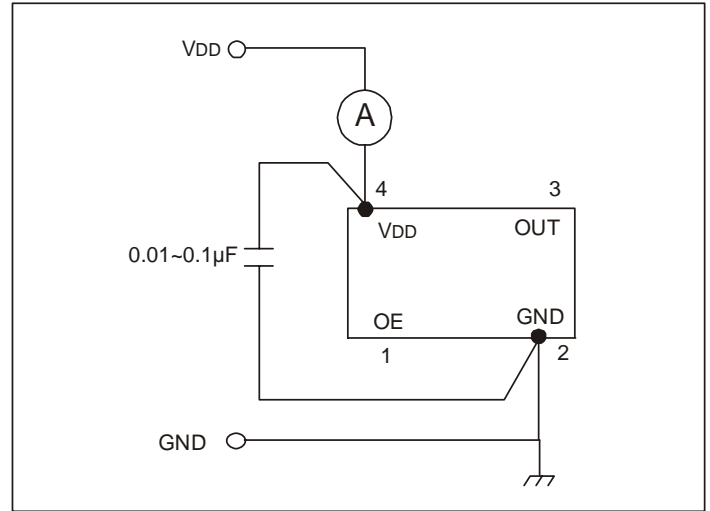
OUTLINE DRAWING OF SXO-05032



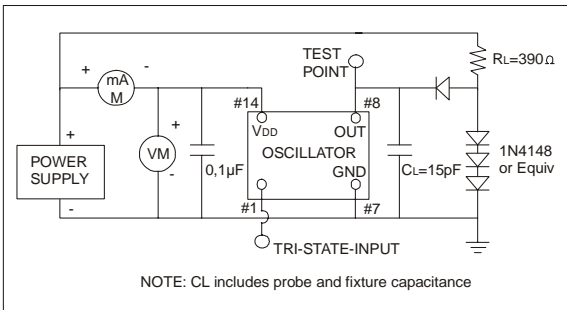
TEST CIRCUIT CMOS



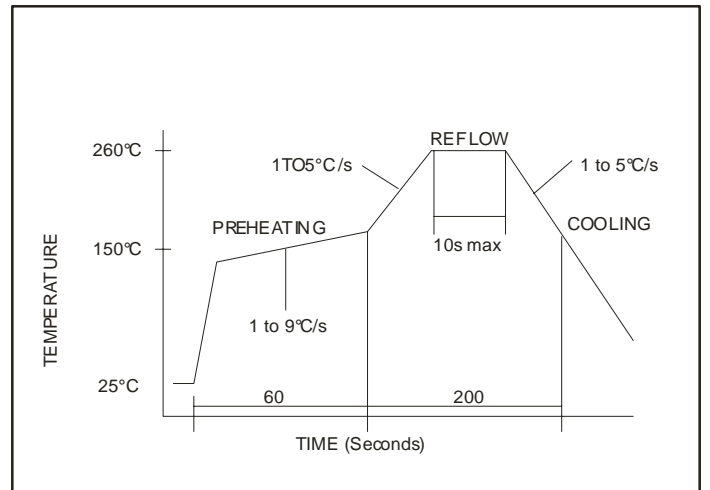
INPUT CURRENT



TEST CIRCUIT TTL

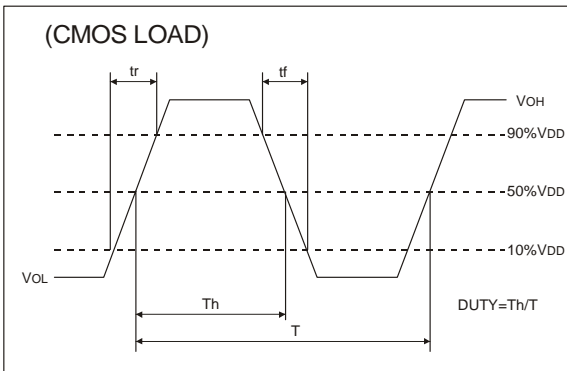


REFLOW SOLDER PROFILE

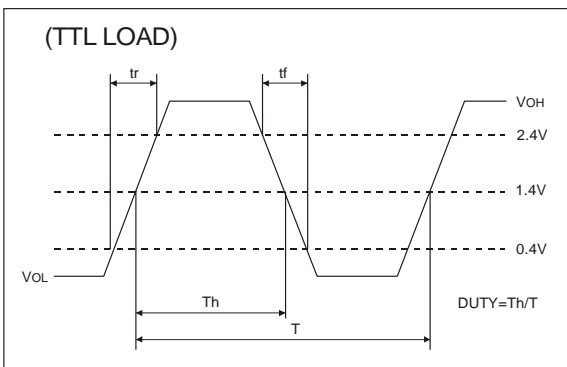


Oscillators can be soldered according to the norm JEDEC J-STD-020C.

OUTPUT WAVE FORM CMOS



OUTPUT WAVE FORM TTL



TAPE AND REEL DIMENSIONS

