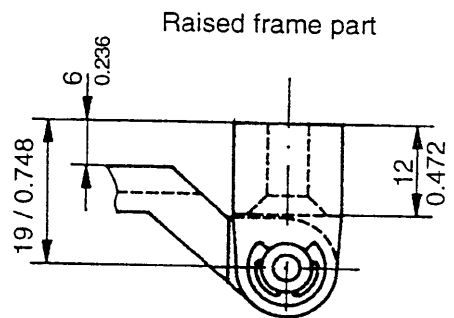
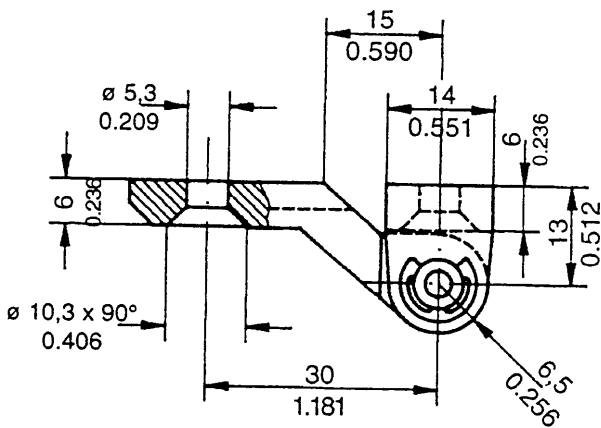
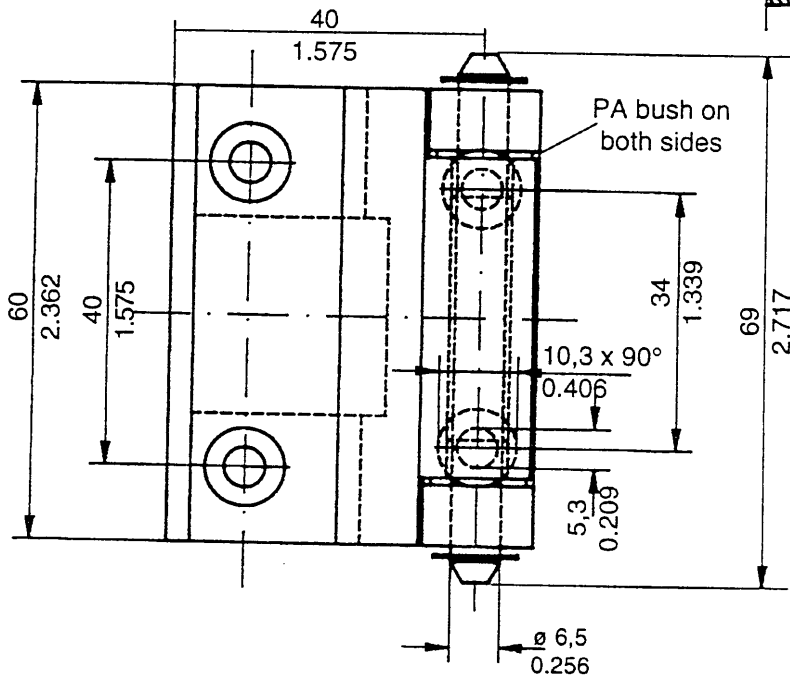
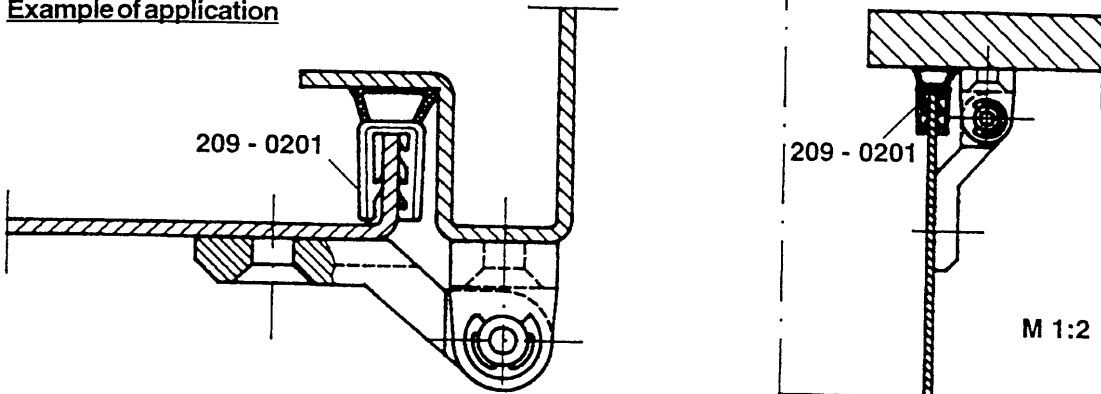




Hinge with PA bushes

Example of application



Hinge (zinc die, PA bushes)	Version			
	Standard frame part chrome	Standard frame part black	Raised frame part chrome	Raised frame part black
Pin: Steel, galv.	217 - 9109	217 - 9101	217 - 9116	217 - 9103
Pin: Stainless steel	217 - 9110	217 - 9102	217 - 9117	217 - 9104

Countersunk machine screws (white and black galvanized): Refer to page 6 - 041