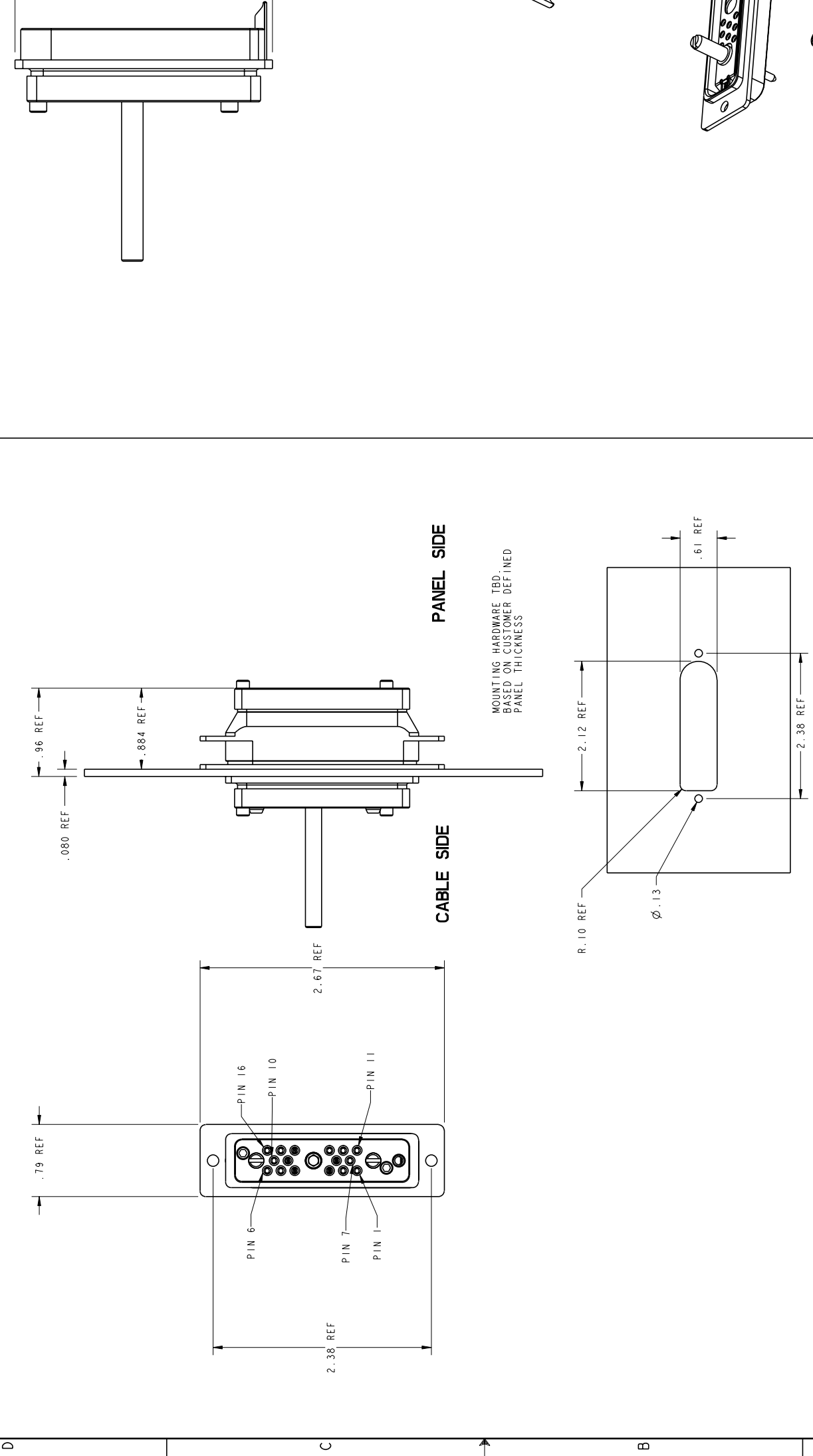


THIS IS ISSUED IN STRICT CONFIDENCE ON CONDITION THAT IT IS NOT TO BE REPRODUCED, COPIED, REPRINTED OR DISCLOSED TO ANY PARTY WITHOUT THE PRIOR WRITTEN CONSENT OF LITTON.

8 7 6 5 4 3



MOUNTING HARDWARE TBD  
BASED ON CUSTOMER DEFINED  
PANEL THICKNESS

NOTES: UNLESS OTHERWISE DESIGNATED

RECOMMENDED PANEL CUT OUT