

PLEASE CHECK WWW.MOLEX.COM FOR LATEST PART INFORMATION

Part Number: [0022057085](#)
Status: **Active**
Description: 2.50mm (.098") Pitch SPOX™ Wire-to-Board Header, Right Angle, Shrouded, Friction Lock, 8 Circuits

Documents:

[3D Model](#) [Product Specification PS-5264-001 \(PDF\)](#)
[Drawing \(PDF\)](#) [RoHS Certificate of Compliance \(PDF\)](#)

Agency Certification

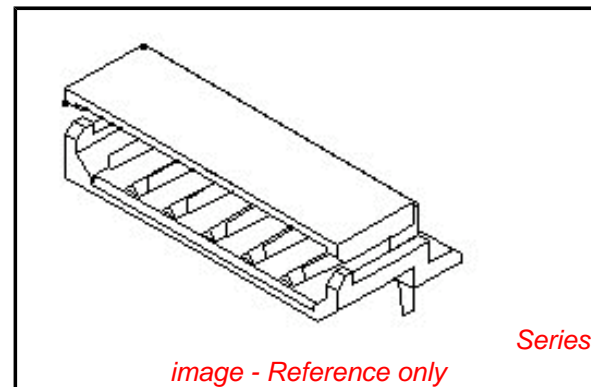
CSA LR19980
 UL E29179

General

Product Family PCB Headers
 Series [5268](#)
 Application Wire-to-Board
 Product Name SPOX™

Physical

Breakaway No
 Circuits (Loaded) 8
 Circuits (maximum) 8
 Color - Resin Natural
 Durability (mating cycles max) 30
 First Mate / Last Break No
 Flammability 94V-0
 Glow-Wire Compliant No
 Guide to Mating Part No
 Keying to Mating Part None
 Lock to Mating Part Yes
 Material - Plating Mating Tin
 Material - Plating Termination Tin
 Material - Resin Nylon
 Number of Rows 1
 Orientation Right Angle
 PC Tail Length (in) 0.138 In
 PC Tail Length (mm) 3.50 mm
 PCB Locator No
 PCB Retention None
 PCB Thickness Recommended (in) 0.062 In
 PCB Thickness Recommended (mm) 1.60 mm
 Packaging Type Bag
 Pitch - Mating Interface (in) 0.098 In
 Pitch - Mating Interface (mm) 2.50 mm
 Plating min: Mating (µin) 160
 Plating min: Mating (µm) 4
 Plating min: Termination (µin) 160
 Plating min: Termination (µm) 4
 Polarized to Mating Part Yes
 Polarized to PCB No
 Shrouded Fully
 Stackable No
 Surface Mount Compatible (SMC) No
 Temperature Range - Operating -40°C to +105°C
 Termination Interface: Style Through Hole



EU RoHS

ELV and RoHS Compliant
REACH SVHC
 Not Reviewed
Halogen-Free Status

China RoHS



Not Halogen-Free

Need more information on product environmental compliance?

Email productcompliance@molex.com
 For a multiple part number RoHS Certificate of Compliance, [click here](#)

Please visit the [Contact Us](#) section for any non-product compliance questions.

Search Parts in this Series

[5268Series](#)

Mates With

[5264 SPOX™ Wire-to-Board Crimp Housing](#)

Electrical

Current - Maximum per Contact

3A

Voltage - Maximum

250V

Material Info

Old Part Number

5268-08A

Reference - Drawing Numbers

Packaging Specification

SPK-5268-001

Product Specification

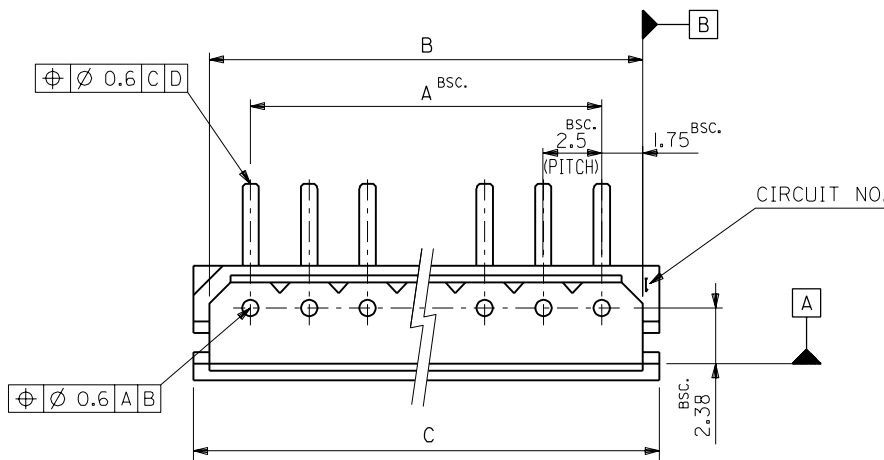
PS-5264-001, RPS-5264-005, RPS-5268-001

Sales Drawing

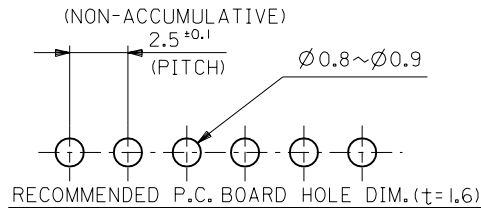
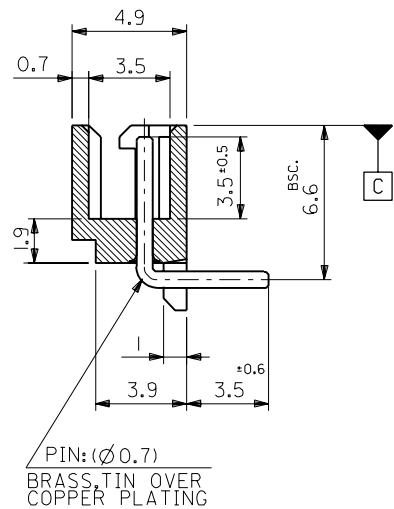
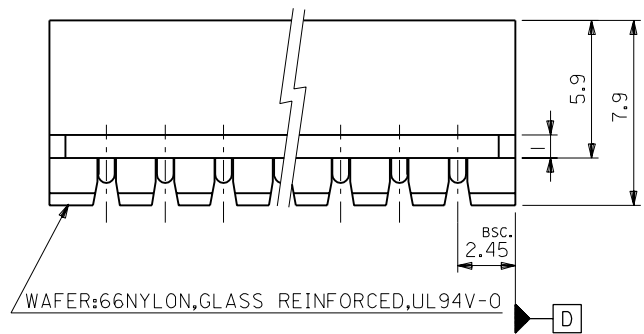
SD-5268-NA

This document was generated on 05/12/2010

PLEASE CHECK WWW.MOLEX.COM FOR LATEST PART INFORMATION



NOTE:
 I.MATES WITH : 5264 SERIES.



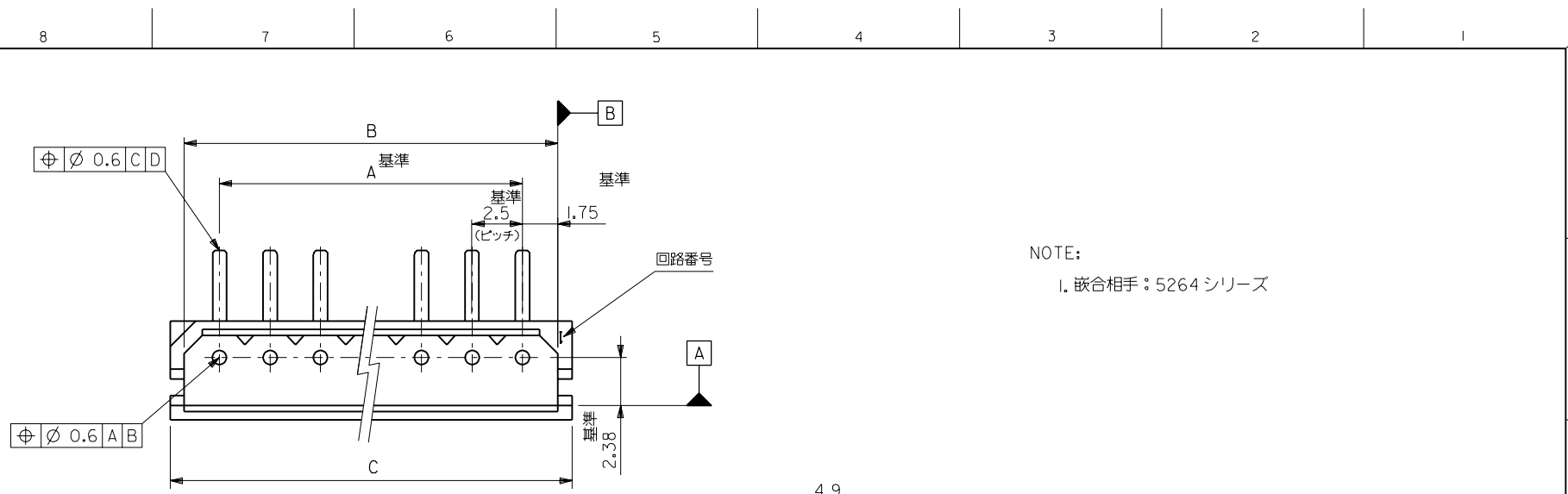
52.4	51	47.5	22-05-7205	5268-20A	20
49.9	48.5	45	-7195	-19A	19
47.4	46	42.5	-7185	-18A	18
44.9	43.5	40	-7175	-17A	17
42.4	41	37.5	-7165	-16A	16
39.9	38.5	35	-7155	-15A	15
37.4	36	32.5	-7145	-14A	14
34.9	33.5	30	-7135	-13A	13
32.4	31	27.5	-7125	-12A	12
29.9	28.5	25	-7115	-11A	11
27.4	26	22.5	-7105	-10A	10
24.9	23.5	20	-7095	-09A	9
22.4	21	17.5	-7085	-08A	8
19.9	18.5	15	-7075	-07A	7
17.4	16	12.5	-7065	-06A	6
14.9	13.5	10	-7055	-05A	5
12.4	11	7.5	-7045	-04A	4
9.9	8.5	5	-7035	-03A	3
7.4	6	2.5	22-05-7025	5268-02A	2
C	B	A	EDP NO.	ENG.NO.	CKT.

角度 ANGLE	±3°							材料 MATERIAL	— / —	MOLEX-JAPAN CO.,LTD. 日本モレックス株式会社
30以上 OVER	+0.3							仕上げ FINISH	— / —	
10以上 OVER 30 未満 UNDER	+0.25	C	REVISED & REDRAWN (J1059)	K.H.	9/11/5			適用電線範囲 WIRE RANGE	— / —	22-05-7**5
10 未満 UNDER	+0.2		記号 LTR	変更内容 REVISION RECORD	DR. CHK.	日付 DATE		被覆外径 INS. RANGE	— / —	ENG. NO.
一般公差 GENERAL TOLERANCES								DRAWN BY K.TOJO '91/11/5	CHK'D BY '92/08/31	SD-5268-NA
								APP'D BY '92/08/31 M.ENOMOTO	H.H. 尺度 SCALE 5-1	REV C
										TITLE 名称 2.5 LOW PROFILE WAFER ASS'Y 90° BEND

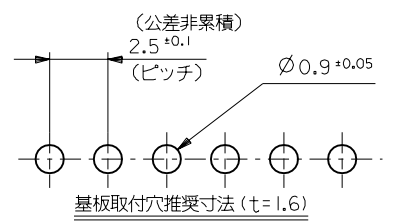
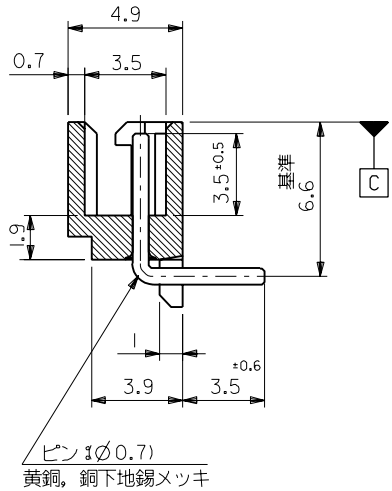
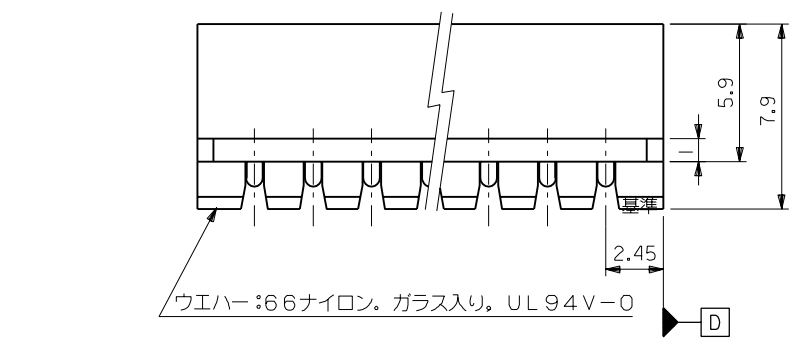
ENG. NO. SD-5268-NA

EDP NO. 22-05-7**5

MM DIMENSIONS IN METRIC DO NOT SCALE DRAWING



NOTE:
1. 嵌合相手: 5264 シリーズ



39.9	38.5	35	22-05-7155	5268-15A	15
37.4	36	32.5	-7145	-14A	14
34.9	33.5	30	-7135	-13A	13
32.4	31	27.5	-7125	-12A	12
29.9	28.5	25	-7115	-11A	11
27.4	26	22.5	-7105	-10A	10
24.9	23.5	20	-7095	-09A	9
22.4	21	17.5	-7085	-08A	8
19.9	18.5	15	-7075	-07A	7
17.4	16	12.5	-7065	-06A	6
14.9	13.5	10	-7055	-05A	5
12.4	11	7.5	-7045	-04A	4
9.9	8.5	5	-7035	-03A	3
7.4	6	2.5	22-05-7025	5268-02A	2
C	B	A	EDP NO.	ENG.NO.	極数

角度 ANGLE	+3°							材料 MATERIAL		MOLEX-JAPAN CO.,LTD. 日本モレックス株式会社
30 以上 OVER	+0.3							仕上げ FINISH		
10 以上 30 未満 UNDER	+0.25	C	再作図及び変更 (J10590)	K.T.	H.H.	9/17/26		適用電線範囲 WIRE RANGE		22-05-7**5
10 未満 UNDER	+0.2							被覆外径 INS. RANGE		ENG. NO.
一般公差 GENERAL TOLERANCES								DRAWN BY K.TOJO '91/7/26	CHK'D BY '92/08/31	SD-5268-NA
								APPD BY '92/08/31	M.ENOMOTO	REV C
										TITLE 名称
										2.5 LOW PROFILE WAFER ASS'Y 90° BEND
										尺度 SCALE 5-1

THIS DRAWING CONTAINS INFORMATION THAT IS PROPRIETARY TO MOLEX(JAPAN) AND SHOULD NOT BE USED WITHOUT WRITTEN PERMISSION
本図面は日本モレックス(株)の所有する情報を含むもので 当社の許可なく複製を禁止する。

MXJ-8

5268.330 A