

2SC4386

Silicon NPN Triple Diffused Planar

T-33-13

☆ Complement to type 2SA1671

Application Example:
Audio and General Purpose

● Outline Drawing 5FM100

Absolute Maximum Ratings

(Ta=25°C)

Symbol	2SC4386	Unit
V _{CB0}	160	V
V _{CE0}	120	V
V _{EB0}	6	V
I _C	8	A
I _B	3	A
P _C	75 (T _C = 25°C)	W
T _j	150	°C
T _{stg}	-55 ~ +150	°C

Electrical Characteristics

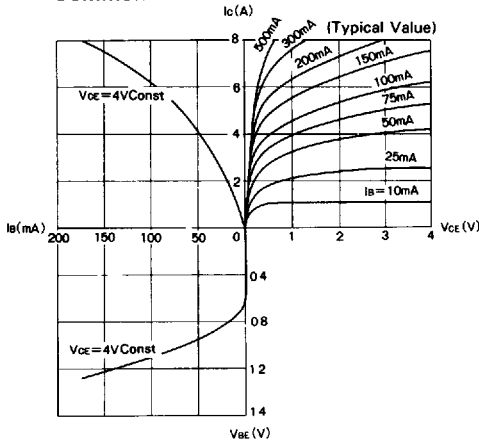
(Ta=25°C)

Symbol	Conditions	2SC4386	Unit
I _{CB0}	V _{CB} =160V	10max	μA
I _{EB0}	V _{EB} =6V	10max	μA
V _{IBRICE0}	I _C = 50mA	120min	V
h _{FE}	V _{CE} =4V, I _C =3A	50min	
V _{CE(sat)}	I _C = 3A, I _B =0.3A	1.5max	V
f _T	V _{CE} =12V, I _E =-0.5A	20typ	MHz

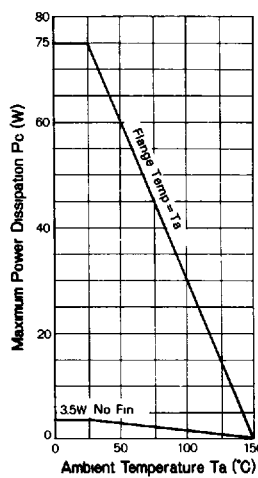
Typical Switching Characteristics (Common Emitter)

V _{CC} (V)	R _L (Ω)	I _C (A)	V _{BB1} (V)	V _{BB2} (V)	I _{B1} (A)	I _{B2} (A)	t _{on} (μs)	t _{stg} (μs)	t _f (μs)
40	10	4	10	-5	0.4	-0.4	0.3typ	3.4typ	0.4typ

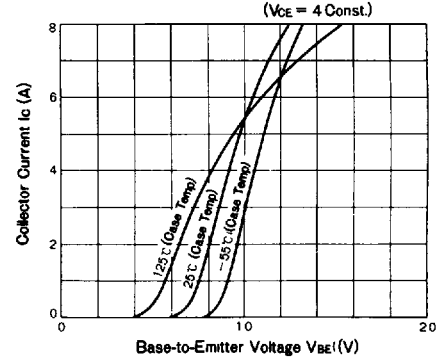
Common Emitter Characteristics



Power Derating

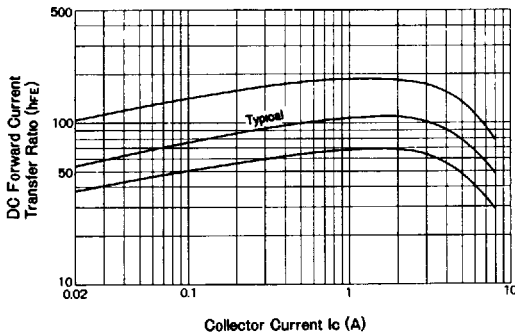


Temperature Characteristics

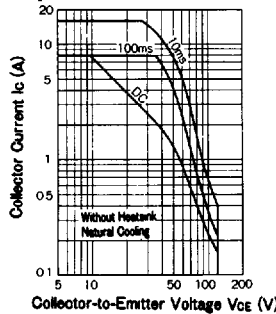


DC Current Gain Characteristics

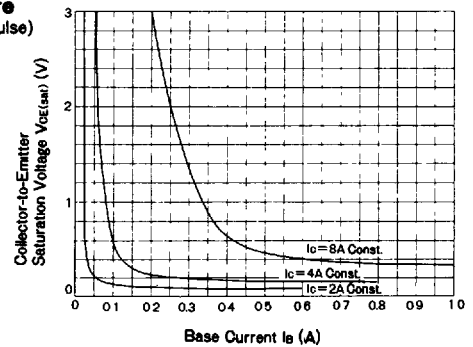
(V_{CE} = 4V Const.)



Maximum Areas For Safe Operation (ASO) (Single Pulse)

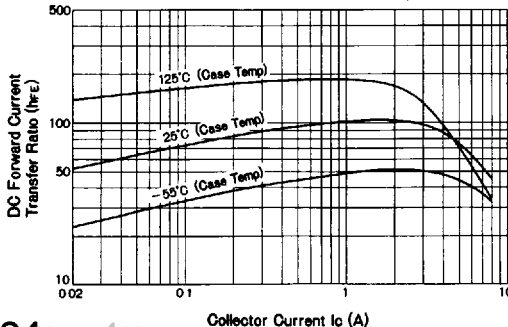


V_{CE(sat)} - I_B Characteristics (Typical Value)



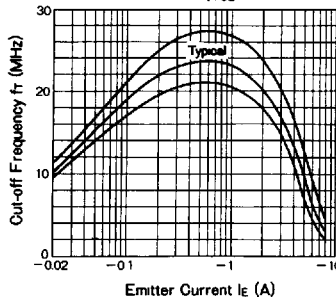
DC Current Gain Temperature Characteristics

(V_{CE} = 4V Const.)

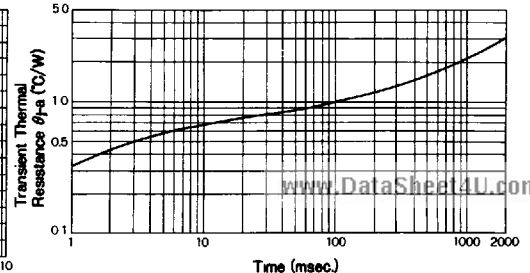


Frequency Characteristics

(V_{CE} = 12V Const.)



Transient Thermal Resistance Characteristics



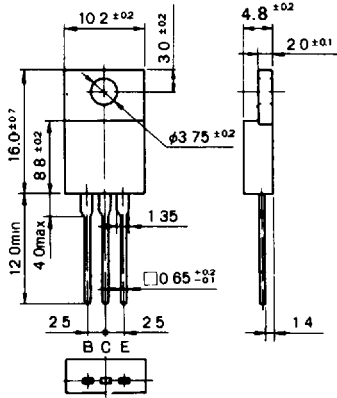
T91-20

Outline Drawing

● Nonflammability: UL94V-0 or equivalent
 ● Unit: in mm

Outline Drawing 1

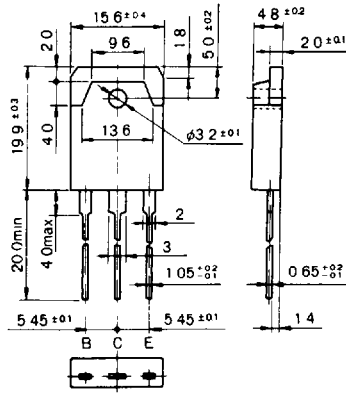
MT-25(TO220)



Weight: Approx. 2.6 g

Outline Drawing 2

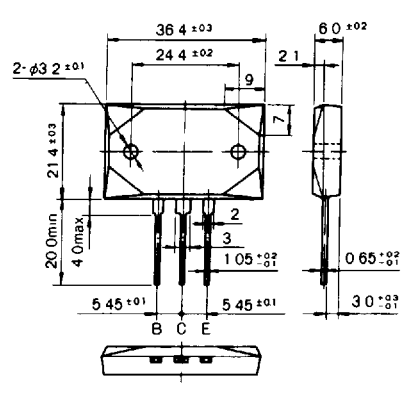
MT-100(TO3P)



Weight: Approx. 6.0 g

Outline Drawing 3

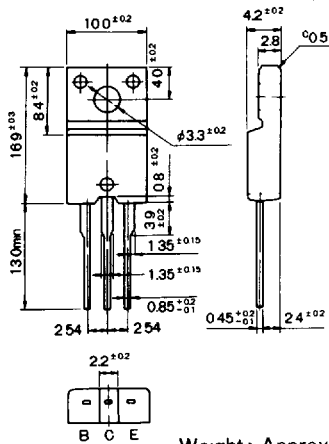
MT-200



Weight: Approx. 18.4 g

Outline Drawing 4

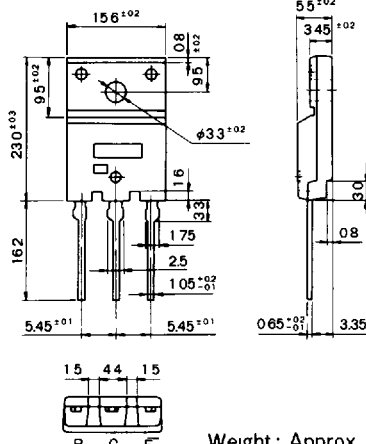
FM20
(Full Mold)



Weight: Approx. 2.0 g

Outline Drawing 5

FM100
(Full Mold)



Weight: Approx. 6.5 g

Accessories

☆ Sanken Transistors do not include accessories. Accessories may be attached at a cost if requested.

☆ Sanken transistor case is a standard size, and can replace any generally sold product.

● Heatsink: Mica, with a thickness of 0.06 mm, +0.045 -0.005 allowance

● Insulation Bush for MT-25 (TO220)

Type Name: Molded (10) Mica

Type Name: Molded (14) Mica

Type Name: Molded (9) Mica

