

PLEASE CHECK WWW.MOLEX.COM FOR LATEST PART INFORMATION

Part Number: [0399900307](#)
Status: **Active**
Description: 5.00mm (.197") Pitch Beau™ Eurostyle™ Screw Clamp Plug, 7 Circuits

Documents:

[Drawing \(PDF\)](#) [RoHS Certificate of Compliance \(PDF\)](#)

Agency Certification

UL E48521

General

Product Family	Terminal Blocks
Series	39990
Application	Wire-to-Board
Comments	Gold plating available
Component Type	Plug
Product Literature Order No	USA-267
Product Name	Eurostyle™ Pluggable
Type	Euro Block

Physical

Circuits (Loaded)	7
Color - Resin	Black
Entry Angle	Horizontal
Flammability	94V-0
Lock to Mating Part	Yes
Material - Metal	Brass
Material - Resin	Nylon
Number of Rows	1
Orientation	Vertical
PCB Retention	N/A
Panel Mount	No
Pitch - Mating Interface (in)	0.197 In
Pitch - Mating Interface (mm)	5.00 mm
Pitch - Term. Interface (in)	0.197 In
Pitch - Term. Interface (mm)	5.00 mm
Polarized to Mating Part	Yes
Shrouded	Fully
Stackable	No
Surface Mount Compatible (SMC)	No
Temperature Range - Operating	110°C
Termination Interface: Style	Surface Mount
Wire Size AWG	12, 14, 16, 18, 20, 22, 24

Electrical

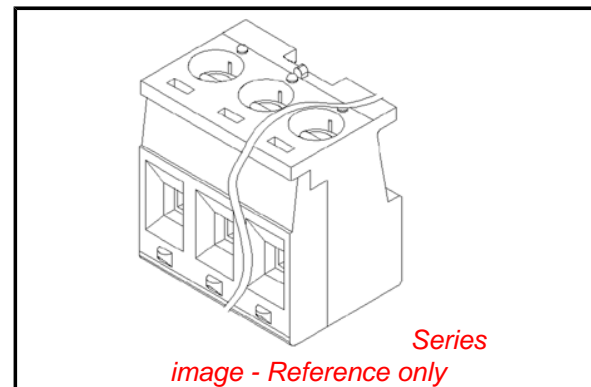
Current - Maximum per Contact	10A
Voltage - Maximum	300V

Material Info

Old Part Number 990907

Reference - Drawing Numbers

Sales Drawing SD-39990-001



EU RoHS

RoHS Compliant by Exemption

REACH SVHC

Not Reviewed

Halogen-Free

Status

Not Reviewed

China RoHS



Pb

Need more information on product environmental compliance?

Email productcompliance@molex.com
 For a multiple part number RoHS Certificate of Compliance, [click here](#)

Please visit the [Contact Us](#) section for any non-product compliance questions.

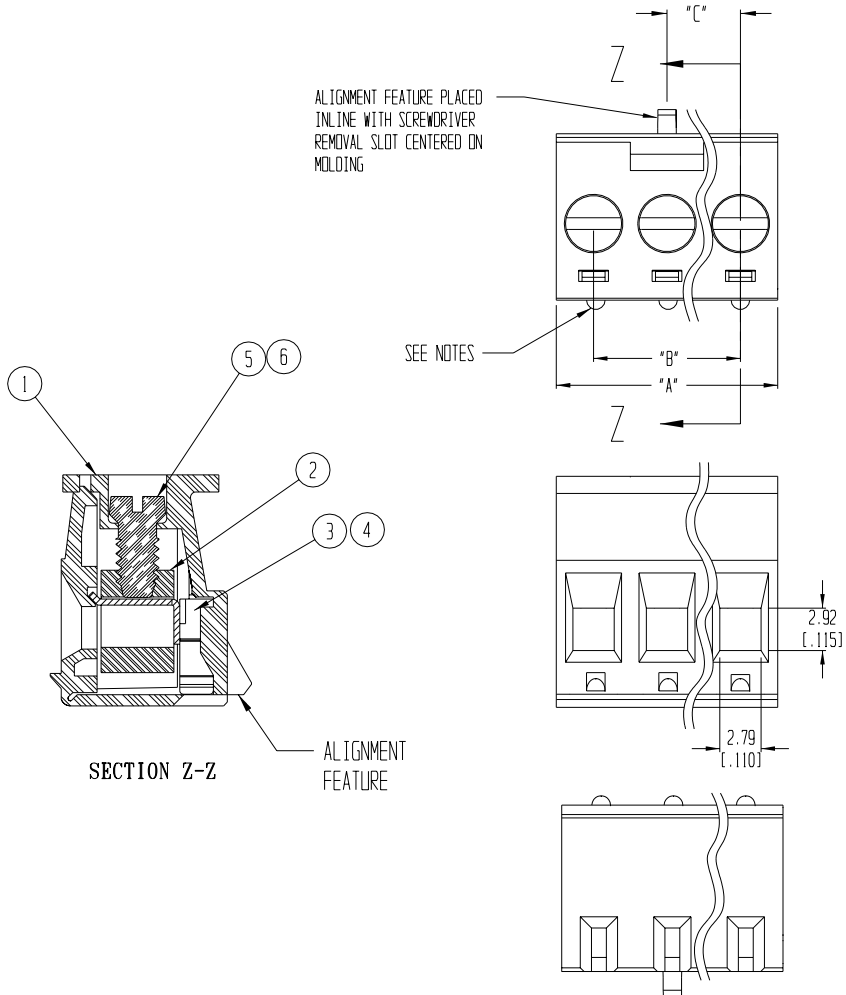
Search Parts in this Series

[39990Series](#)

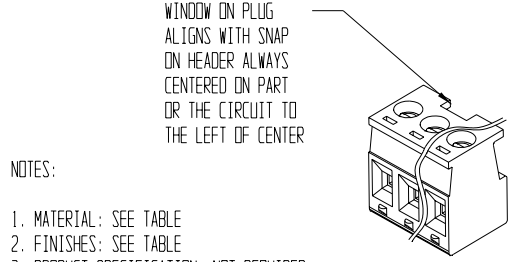
Mates With

[39990-0407](#)

PLEASE CHECK WWW.MOLEX.COM FOR LATEST PART INFORMATION



ASSEMBLY MATERIAL NO. (STANDARD)	ASSEMBLY MATERIAL NO. (-G30 OPTION)	NUMBER OF CIRCUITS "XX"	DIM. "A"	DIM. "B" $\pm .050$ $\pm .000$	DIM. "C"
399900302	399910302	02	10.8 [.42]	5.00 [.197]	5.00 [.197]
399900303	399910303	03	15.8 [.62]	10.01 [.394]	10.01 [.394]
399900304	399910304	04	20.8 [.82]	15.01 [.591]	10.01 [.394]
399900305	399910305	05	25.8 [1.02]	20.02 [.788]	10.01 [.394]
399900306	399910306	06	30.8 [1.21]	25.02 [1.182]	15.01 [.591]
399900307	399910307	07	35.8 [1.41]	30.02 [1.182]	15.01 [.591]
399900308	399910308	08	40.8 [1.61]	35.03 [1.379]	20.02 [.788]
399900309	399910309	09	45.8 [1.80]	40.03 [1.576]	20.02 [.788]
399900310	399910310	10	50.8 [2.00]	45.03 [1.773]	25.02 [.985]
399900311	399910311	11	55.8 [2.20]	50.04 [1.970]	25.02 [.985]
399900312	399910312	12	60.8 [2.39]	55.04 [2.167]	30.02 [1.182]
399900313	399910313	13	65.8 [2.59]	60.05 [2.364]	30.02 [1.182]
399900314	399910314	14	70.8 [2.79]	65.05 [2.561]	35.03 [1.379]
399900315	399910315	15	75.8 [2.99]	70.05 [2.758]	35.03 [1.379]
399900316	399910316	16	80.8 [3.18]	75.06 [2.955]	40.03 [1.576]
399900317	399910317	17	85.8 [3.38]	80.06 [3.152]	40.03 [1.576]
399900318	399910318	18	90.8 [3.58]	85.06 [3.349]	45.03 [1.773]



- NOTES:
1. MATERIAL: SEE TABLE
 2. FINISHES: SEE TABLE
 3. PRODUCT SPECIFICATION: NOT REQUIRED
 4. PACKAGING: NOT REQUIRED
 5. MATES WITH: 99 SERIES HEADER
 6. INCH DIMS ARE SHOWN IN BRACKETS [XXX]
 7. "XX" REFERS TO THE QTY. OF CIRCUITS
 8. SNAP FEATURES
 - 2 CIRCUIT: 2 SNAPS
 - 3-24 CIRCUIT: 3 SNAPS
 LOCATED ON ENDS AND ALIGNED WITH SCREWDRIVER REMOVAL SLOT

ITEM	QTY.	DESCRIPTION	MATERIAL	FINISH
6	XX	SCREW, M3 X 0.5 X 5.08 (-G30 OPTION)	PHOSPHOR BRONZE	TIN PLATE
5	XX	SCREW, M3 X 0.5 X 5.08 (STANDARD)	STEEL	ZINC CHROMATE
4	XX	TERMINAL (-G30 OPTION)	PHOSPHOR BRONZE	GOLD PLATE
3	XX	TERMINAL (STANDARD)	PHOSPHOR BRONZE	TIN PLATE
2	XX	PRESSURE CLAMP	BRASS	NICKEL PLATE
1	1	MOLDING	POLYAMIDE	BLACK

EC NO. RELEASED DRAWN: CLY CH K: APPR: REV A	DESCRIPTION MAJOR CRITICAL SPC S	GENERAL TOLERANCES: (UNLESS SPECIFIED) mm INCH		SCALE 3:1 DESIGN UNITS <input type="checkbox"/> mm <input checked="" type="checkbox"/> INCH	THIRD ANGLE PROJECTION <input checked="" type="checkbox"/> mm INCH <input type="checkbox"/> INCH mm <input type="checkbox"/> mm ONLY	PROJECT NO. - - DIMENSIONS: SHT REV <input checked="" type="checkbox"/> mm INCH <input type="checkbox"/> INCH mm <input type="checkbox"/> mm ONLY REVISE ON CAD ONLY
		DRAWN BY & DATE C. YORK 08-12-03		CHECKED BY & DATE		TITLE: SINGLE ROW EUROSTYLE PLUG ASSEMBLY 5.00mm [.197]
APPROVED BY & DATE		CAD FILENAME 9909XX01		MATERIAL NO. SEE CHART		MOLEX INCORPORATED
DRAFT WHERE APPLICABLE MUST REMAIN WITHIN DIMENSIONS		ANGULAR: ±2°		DRAWING NO. SD-39990-001		SHEET NO. 1 OF 1
THIS DRAWING CONTAINS INFORMATION THAT IS PROPRIETARY TO MOLEX INCORPORATED AND SHOULD NOT BE USED WITHOUT WRITTEN PERMISSION.						SITE B