

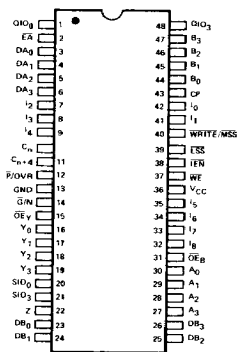


## RELATED PRODUCTS

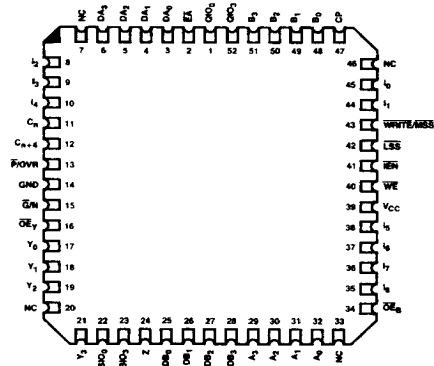
Part No.	Description
Am2902A	Carry Look-Ahead Generator
Am2904	Status and Shift Control Unit
Am2910A	Microprogram Controller
Am2914	Vectored Priority Interrupt Controller
Am2918	Pipeline Register
Am2920	Octal Register
Am2922	Condition Code MUX
Am2925	System Clock Generator
Am2940	DMA Address Generator
Am2952	Bidirectional I/O Port
Am29705A	Two-Port RAM
Am27S35	Registered PROM

## CONNECTION DIAGRAMS\*

### Top View



CD004292

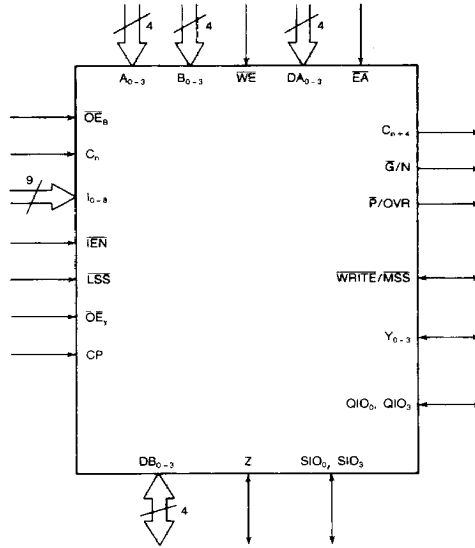


CD004282

Note: Pin 1 is marked for orientation.

\*This device is also available in a 48-Pin Flatpack (CFT048).  
Pinouts are the same as the DIP.

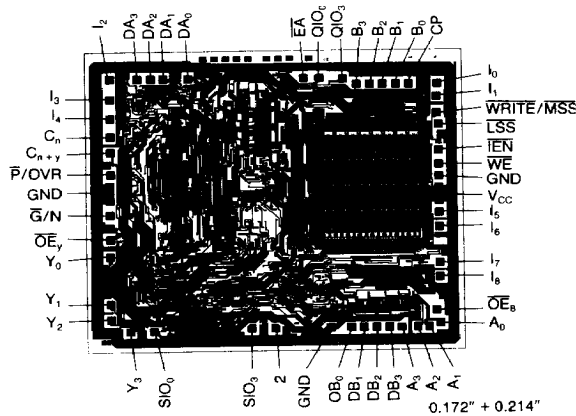
## LOGIC SYMBOL



LS002280

V<sub>CC</sub> = Power Supply  
GND = Ground

## METALLIZATION AND PAD LAYOUT



DIE SIZE 0.172" x 0.218"

## ORDERING INFORMATION

### APL and CPL Products

AMD products for Aerospace and Defense applications are available in several packages and operating ranges. APL (Approved Products List) products are fully compliant with MIL-STD-883C requirements. CPL (Controlled Products List) products are processed in accordance with MIL-STD-883C, but are inherently non-compliant because of package, solderability, or surface treatment exceptions to those specifications. The order number (Valid Combination) is formed by a combination of:

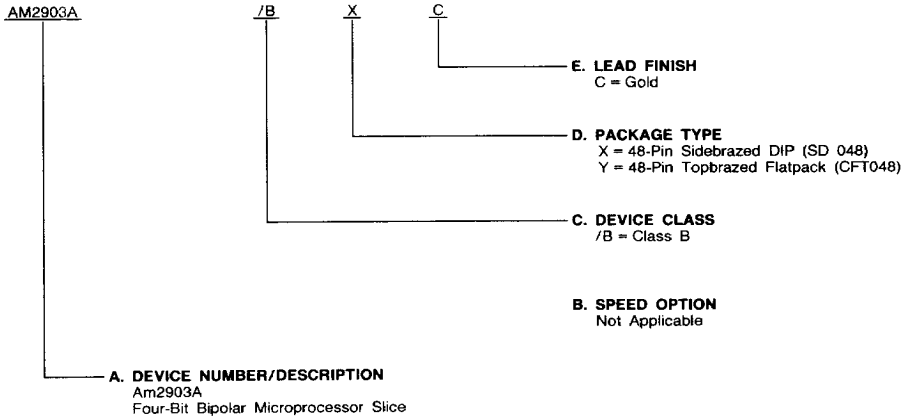
**APL Products: A. Device Number**

- B. Speed Option** (if applicable)
- C. Device Class**
- D. Package Type**
- E. Lead Finish**

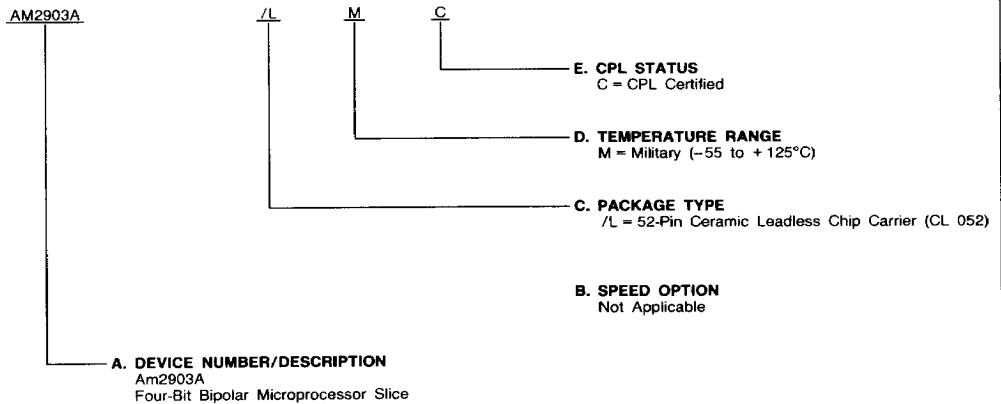
**CPL Products: A. Device Number**

- B. Speed Option** (if applicable)
- C. Package Type**
- D. Temperature Range**
- E. CPL Status**

#### APL Products



#### CPL Products



#### Valid Combinations

Valid Combinations list configurations planned to be supported in volume for this device. Consult the local AMD sales office to confirm availability of specific valid combinations or to check for newly released valid combinations.

Valid Combinations		
APL	AM2903A	/BXC, /BYC
CPL	AM2903A	/LMC

## PIN DESCRIPTION

### **A<sub>0-3</sub> RAM A Address Inputs (TTL Input)**

Four RAM address inputs that contain the address of the RAM word appearing at the RAM A output port.

### **B<sub>0-3</sub> RAM B Address Inputs (TTL Input)**

Four RAM address inputs that contain the address of the RAM word appearing at the RAM B output port and into which new data is written when the  $\overline{WE}$  input and the CP input are LOW.

### **$\overline{WE}$ Write Enable Input (TTL Input)**

The RAM write enable input. If  $\overline{WE}$  is LOW, data at the Y I/O port is written into the RAM when the CP input is LOW. When  $\overline{WE}$  is HIGH, writing data into the RAM is inhibited.

### **DA<sub>0-3</sub> External Data Inputs (TTL Input)**

A four-bit external data input that can be selected as one of the Am2903A ALU operand sources; DA<sub>0</sub> is the least significant bit.

### **$\overline{EA}$ Control Input (TTL Input)**

A control input that, when HIGH, selects DA<sub>0-3</sub> as the ALU R operand, and, when LOW, selects RAM output A as the ALU R operand.

### **DB<sub>0-3</sub> External Data Inputs/Outputs (Three-State Input/Output)**

A four-bit external data input/output. Under control of the  $\overline{OE_B}$  input, RAM output port B can be directly read on these lines, or input data on these lines can be selected as the ALU S operand.

### **$\overline{OE_B}$ Control Input (TTL Input)**

A control input that, when LOW, enables RAM output B onto the DB<sub>0-3</sub> lines and, when HIGH, disables the RAM output B three-state buffers.

### **C<sub>n</sub> Carry-In Input (TTL Input)**

The carry-in input to the Am2903A ALU.

### **I<sub>0-8</sub> Instruction Inputs (TTL Input)**

The nine instruction inputs used to select the Am2903A operation to be performed.

### **$\overline{IEN}$ Instruction Enable Input (TTL Input)**

The instruction enable input that, when LOW, allows the Q Register and the Sign Compare flip-flop to be written. When  $\overline{IEN}$  is HIGH, the Q Register and Sign Compare flip-flop are in the hold mode. On the Am2903A,  $\overline{IEN}$  also controls WRITE.

### **C<sub>n+4</sub> Carry-Out Output (TTL Output)**

This output generally indicates the carry-out of the Am2903A ALU. Refer to Table 5 for an exact definition of this pin.

### **$\overline{G/N}$ Carry-Generate Output (TTL Output)**

A multi-purpose pin that indicates the carry generate,  $\overline{G}$ , function at the least significant and intermediate slices, and generally indicates the sign, N, of the ALU result at the most significant slice. Refer to Table 5 for an exact definition of this pin.

### **$\overline{P/OVR}$ Carry-Propagate Output (TTL Output)**

A multi-purpose pin that indicates the carry propagate,  $\overline{P}$ , function at the least significant and intermediate slices, and indicates the conventional two's complement overflow, OVR, signal at the most significant slice. Refer to Table 5 for an exact definition of this pin.

### **Z Open-Collector I/O Pin (Open-Collector Input/Output)**

An open-collector input/output pin that, when HIGH, generally indicates the outputs are all LOW. For some Special Functions, Z is used as an input pin. Refer to Table 5 for an exact definition of this pin.

### **SIO<sub>0</sub>, SIO<sub>3</sub> Bidirectional Serial Shift I/Os for the ALU (Three-State Input/Output)**

Bidirectional serial shift inputs/outputs for the ALU shifter. During a shift-up operation, SIO<sub>0</sub> is an input and SIO<sub>3</sub> an output. During a shift-down operation, SIO<sub>3</sub> is an input and SIO<sub>0</sub> is an output. Refer to Tables 3 and 4 for an exact definition of these pins.

### **QIO<sub>0</sub>, QIO<sub>3</sub> Bidirectional Serial Shift I/Os for the Q Shifter (Three-State Input/Output)**

Bidirectional serial shift inputs/outputs for the Q shifter that operate like SIO<sub>0</sub> and SIO<sub>3</sub>. Refer to Tables 3 and 4 for an exact definition of these pins.

### **$\overline{LSS}$ Control Input (TTL Input)**

An input pin that, when tied LOW, programs the chip to act as the least significant slice (LSS) of an Am2903A array and enables the WRITE output onto the WRITE/MSS pin. When  $\overline{LSS}$  is tied HIGH, the chip is programmed to operate as either an intermediate or most significant slice and the WRITE output buffer is disabled.

### **WRITE/MSS Control Input (Three-State Input/Output)**

When  $\overline{LSS}$  is tied LOW, the WRITE output signal appears at this pin; the WRITE signal is LOW when an instruction that writes data into the RAM is being executed. When  $\overline{LSS}$  is tied HIGH, WRITE/MSS is an input pin; tying it HIGH programs the chip to operate as an intermediate slice (IS) and tying it LOW programs the chip to operate as the most significant slice (MSS).

### **Y<sub>0-3</sub> Data Inputs/Outputs (Three-State Input/Output)**

Four data inputs/outputs of the Am2903A. Under control of the  $\overline{OE_Y}$  input, the ALU shifter output data can be enabled onto these lines, or these lines can be used as data inputs when external data is written directly into the RAM.

### **$\overline{OE_Y}$ Control Input (TTL Input)**

A control input that, when LOW, enables the ALU shifter output data onto the Y<sub>0-3</sub> lines and, when HIGH, disables the Y<sub>0-3</sub> three-state output buffers.

### **CP Clock Input (TTL Input)**

The clock input to the Am2903A. The Q Register and Sign Compare flip-flop are clocked on the LOW-to-HIGH transition of the CP signal. When enabled by  $\overline{WE}$ , data is written in the RAM when CP is LOW.

## FUNCTIONAL DESCRIPTION

### Architecture of the Am2903A

The Am2903A is a high-performance, cascadable, four-bit bipolar microprocessor slice designed for use in CPU's, peripheral controllers, microprogrammable machines, and numerous other applications. The microinstruction flexibility of the Am2903A allows the efficient emulation of almost any digital computing machine. The nine-bit microinstruction selects the ALU sources, function and destination. The Am2903A is cascadable with full lookahead or ripple carry, has three-state outputs, and provides various ALU status flag outputs. Advanced IMOX™ processing is used to fabricate this 48-pin LSI circuit.

All data paths within the device are four bits wide. As shown in the block diagram, the device consists of a 16-word by 4-bit, two-port RAM with latches on both output ports, a high-performance ALU and shifter, a multi-purpose Q Register with shifter input, and a nine-bit instruction decoder.

#### Two-Port RAM

Any two RAM words addressed at the A and B address ports can be read simultaneously at the respective RAM A and B output ports. Identical data appear at the two output ports when the same address is applied to both address ports. The latches at the RAM output ports are transparent when the clock input, CP, is HIGH and they hold the RAM output data when CP is LOW. Under control of the  $\overline{OE_B}$  three-state output enable, RAM data can be read directly at the Am2903A DB (I/O) port.

External data at the Am2903A Y I/O port can be written directly into the RAM, or ALU shifter output data can be enabled onto the Y I/O port and entered into the RAM. Data is written into the RAM at the B address when the write enable input,  $\overline{WE}$ , is LOW and the clock input, CP, is LOW.

#### Arithmetic Logic Unit

The Am2903A high-performance ALU can perform seven arithmetic and nine logic operations on two 4-bit operands. Multiplexers at the ALU inputs provide the capability to select various pairs of ALU source operands. The  $\overline{EA}$  input selects either the DA external data input or RAM output port A for use as one ALU operand and the  $\overline{OE_B}$  and  $I_0$  inputs select RAM output port B, DB external data input, or the Q Register content for use as the second ALU operand. Also, during some ALU operations, zeroes are forced at the ALU operand inputs. Thus, the Am2903A ALU can operate on data from two external sources, from an internal and external source, or from two internal sources. Table 1 shows all possible pairs of ALU source operands as a function of the  $\overline{EA}$ ,  $\overline{OE_B}$ , and  $I_0$  inputs.

When instruction bits  $I_4$ ,  $I_3$ ,  $I_2$ ,  $I_1$ , and  $I_0$  are LOW, the Am2903A executes special functions. Table 4 defines these special functions and the operation which the ALU performs for each. When the Am2903A executes instructions other than the nine special functions, the ALU operation is determined by instruction bits  $I_4$ ,  $I_3$ ,  $I_2$ , and  $I_1$ . Table 2 defines the ALU operation as a function of these four instruction bits.

TABLE 1. ALU OPERAND SOURCES

$\overline{EA}$	$I_0$	$\overline{OE_B}$	ALU Operand R	ALU Operand S
L	L	L	RAM Output A	RAM Output B
L	L	H	RAM Output A	DB <sub>0-3</sub>
L	H	X	RAM Output A	Q Register
H	L	L	DA <sub>0-3</sub>	RAM Output B
H	L	H	DA <sub>0-3</sub>	DB <sub>0-3</sub>
H	H	X	DA <sub>0-3</sub>	Q Register

L = LOW                      H = HIGH                      X = Don't Care

TABLE 2. Am2903A ALU FUNCTIONS

$I_4$	$I_3$	$I_2$	$I_1$	Hex Code	ALU FUNCTIONS
L	L	L	L	0	$I_0 = L$ Special Functions $I_0 = H$ $F_i = \text{HIGH}$
L	L	L	H	1	$F = S \text{ Minus } R \text{ Minus } 1 \text{ plus } C_n$
L	L	H	L	2	$F = R \text{ Minus } S \text{ Minus } 1 \text{ Plus } C_n$
L	L	H	H	3	$F = R \text{ Plus } S \text{ Plus } C_n$
L	H	L	L	4	$F = S \text{ Plus } C_n$
L	H	L	H	5	$F = \overline{S} \text{ Plus } C_n$
L	H	H	L	6	$F = R \text{ Plus } C_n$
L	H	H	H	7	$F = \overline{R} \text{ Plus } C_n$
H	L	L	L	8	$F_i = \text{LOW}$
H	L	L	H	9	$F_i = \overline{R}_i \text{ AND } S_i$
H	L	H	L	A	$F_i = R_i \text{ EXCLUSIVE NOR } S_i$
H	L	H	H	B	$F_i = R_i \text{ EXCLUSIVE OR } S_i$
H	H	L	L	C	$F_i = R_i \text{ AND } S_i$
H	H	L	H	D	$F_i = R_i \text{ NOR } S_i$
H	H	H	L	E	$F_i = R_i \text{ NAND } S_i$
H	H	H	H	F	$F_i = R_i \text{ OR } S_i$

L = LOW                      H = HIGH                       $i = 0 \text{ to } 3$

Am2903As may be cascaded in either a ripple carry or lookahead carry fashion. When a number of Am2903As are cascaded, each slice must be programmed to be a most significant slice (MSS), intermediate slice (IS), or least significant slice (LSS) of the array. The carry generate, G, and carry propagate, P, signals required for a lookahead carry scheme are generated by the Am2903A and are available as outputs of the least significant and intermediate slices.

The Am2903A also generates a carry-out signal,  $C_{n+4}$ , which is generally available as an output of each slice. Both the carry-in,  $C_n$ , and carry-out,  $C_{n+4}$ , signals are active HIGH. The ALU generates two other status outputs. These are negative, N, and overflow, OVR. The N output is generally the most significant (sign) bit of the ALU output and can be used to determine positive or negative results. The OVR output indicates that the arithmetic operation being performed exceeds the available two's complement number range. The N

and OVR signals are available as outputs of the most significant slice. Thus, the multipurpose  $\overline{G}/N$  and  $\overline{P}/OVR$  outputs indicate  $\overline{G}$  and  $\overline{P}$  at the least significant and intermediate slices, and sign and overflow at the most significant slice. To some extent, the meaning of the  $C_{N+4}$ ,  $\overline{P}/OVR$ , and  $\overline{G}/N$  signals vary with the ALU function being performed. Refer to Table 5 for an exact definition of these four signals as a function of the Am2903A instruction.

### ALU Shifter

Under instruction control, the ALU shifter passes the ALU output (F) non-shifted, shifts it up one bit position (2F), or shifts it down one bit position (F/2). Both arithmetic and logical shift operations are possible. An arithmetic shift operation shifts data around the most significant (sign) bit position of the most significant slice, and a logical shift operation shifts data through this bit position (see Figure 1).  $SIO_0$  and  $SIO_3$  are bidirectional serial shift inputs/outputs. During a shift-up operation,  $SIO_0$  is generally a serial shift input and  $SIO_3$  a serial shift output. During a shift-down operation,  $SIO_3$  is generally a serial shift input and  $SIO_0$  a serial shift output.

To some extent, the meaning of the  $SIO_0$  and  $SIO_3$  signals is instruction dependent. Refer to Tables 3 and 4 for an exact definition of these pins.

The ALU shifter also provides the capability to sign extend at slice boundaries. Under instruction control, the  $SIO_0$  (sign) input can be extended through  $Y_0, Y_1, Y_2, Y_3$  and propagated to the  $SIO_3$  output.

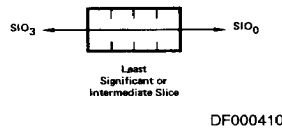
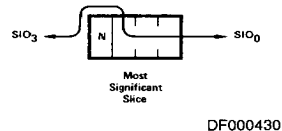
A cascadable, five-bit parity generator/checker is designed into the Am2903A ALU shifter and provides ALU error detection capability. Parity for the  $F_0, F_1, F_2, F_3$  ALU outputs and  $SIO_3$  input is generated and, under instruction control, is made available at the  $SIO_0$  output.

The instruction inputs determine the ALU shifter operation. Table 4 defines the special functions and the operation the ALU shifter performs for each. When the Am2903A executes instructions other than the special functions, the ALU shifter operation is determined by instruction bits  $I_8, I_7, I_6, I_5$ . Table 3 defines the ALU shifter operation as a function of these four bits.

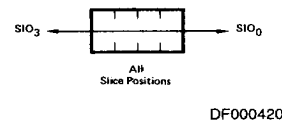
### Q Register

The Q Register is an auxiliary four-bit register which is clocked on the LOW-to-HIGH transition of the CP input. It is intended primarily for use in multiplication and division operations; however, it can also be used as an accumulator or holding register for some applications. The ALU output, F, can be loaded into the Q Register, and/or the Q Register can be selected as the source for the ALU S operand. The shifter at the input to the Q Register provides the capability to shift the Q Register contents up one bit position (2Q) or down one bit position (Q/2). Only logical shifts are performed.  $QIO_0$  and

$QIO_3$  are bidirectional shift serial inputs/outputs. During a Q Register shift-up operation,  $QIO_0$  is a serial shift input and  $QIO_3$  is a serial shift output. During a shift-down operation,  $QIO_3$  is a serial shift input and  $QIO_0$  is a serial shift output.



**Figure 1-1.**  
**Am2903A Arithmetic Shift Path**



**Figure 1-2.**  
**Am2903A Logical Shift Path**

Double-length arithmetic and logical shifting capability is provided by the Am2903A. The double-length shift is performed by connecting  $QIO_3$  of the most significant slice to  $SIO_0$  of the least significant slice, and executing an instruction which shifts both the ALU output and the Q Register.

The Q Register and shifter are controlled by the instruction inputs. Table 4 defines the Am2903A special functions and the operations which the Q Register and shifter perform for each. When the Am2903A executes instructions other than the special functions, the Q Register and shifter operation is controlled by instruction bits  $I_8, I_7, I_6, I_5$ . Table 3 defines the Q Register and shifter operation as a function of these four bits.

### Output Buffers

The DB and Y ports are bidirectional I/O ports driven by three-state output buffers with external output enable controls. The Y output buffers are enabled when the  $\overline{OE}_Y$  input is LOW and are in the high impedance state when  $\overline{OE}_Y$  is HIGH. The DB output buffers are enabled when the  $\overline{OE}_B$  input is LOW.

TABLE 3. ALU DESTINATION CONTROL FOR I<sub>0</sub> OR I<sub>1</sub> OR I<sub>2</sub> OR I<sub>3</sub> = HIGH,  $\overline{IEN}$  = LOW.

I <sub>8</sub>	I <sub>7</sub>	I <sub>6</sub>	I <sub>5</sub>	Hex Code	ALU Shifter Function	SIO <sub>3</sub>		Y <sub>3</sub>		Y <sub>2</sub>		Y <sub>1</sub>	Y <sub>0</sub>	SIO <sub>0</sub>	Write	Q Reg & Shifter Function	QIO <sub>3</sub>	QIO <sub>0</sub>
						Most Sig Slice	Other Slices	Most Sig Slice	Other Slices	Most Sig Slice	Other Slices							
L	L	L	L	0	Arith. F/2→Y	Input	Input	F <sub>3</sub>	SIO <sub>3</sub>	SIO <sub>3</sub>	F <sub>3</sub>	F <sub>2</sub>	F <sub>1</sub>	F <sub>0</sub>	L	Hold	Z	Z
L	L	L	H	1	Log. F/2→Y	Input	Input	SIO <sub>3</sub>	SIO <sub>3</sub>	F <sub>3</sub>	F <sub>3</sub>	F <sub>2</sub>	F <sub>1</sub>	F <sub>0</sub>	L	Hold	Z	Z
L	L	H	L	2	Arith. F/2→Y	Input	Input	F <sub>3</sub>	SIO <sub>3</sub>	SIO <sub>3</sub>	F <sub>3</sub>	F <sub>2</sub>	F <sub>1</sub>	F <sub>0</sub>	L	Log. Q/2→Q	Input	Q <sub>0</sub>
L	L	H	H	3	Log. F/2→Y	Input	Input	SIO <sub>3</sub>	SIO <sub>3</sub>	F <sub>3</sub>	F <sub>3</sub>	F <sub>2</sub>	F <sub>1</sub>	F <sub>0</sub>	L	Log. Q/2→Q	Input	Q <sub>0</sub>
L	H	L	L	4	F→Y	Input	Input	F <sub>3</sub>	F <sub>3</sub>	F <sub>2</sub>	F <sub>2</sub>	F <sub>1</sub>	F <sub>0</sub>	Parity	L	Hold	Z	Z
L	H	L	H	5	F→Y	Input	Input	F <sub>3</sub>	F <sub>3</sub>	F <sub>2</sub>	F <sub>2</sub>	F <sub>1</sub>	F <sub>0</sub>	Parity	H	Log. Q/2→Q	Input	Q <sub>0</sub>
L	H	H	L	6	F→Y	Input	Input	F <sub>3</sub>	F <sub>3</sub>	F <sub>2</sub>	F <sub>2</sub>	F <sub>1</sub>	F <sub>0</sub>	Parity	H	F→Q	Z	Z
L	H	H	H	7	F→Y	Input	Input	F <sub>3</sub>	F <sub>3</sub>	F <sub>2</sub>	F <sub>2</sub>	F <sub>1</sub>	F <sub>0</sub>	Parity	L	F→Q	Z	Z
H	L	L	L	8	Arith. 2F→Y	F <sub>2</sub>	F <sub>3</sub>	F <sub>3</sub>	F <sub>2</sub>	F <sub>1</sub>	F <sub>1</sub>	F <sub>0</sub>	SIO <sub>0</sub>	Input	L	Hold	Z	Z
H	L	L	H	9	Log. 2F→Y	F <sub>3</sub>	F <sub>3</sub>	F <sub>2</sub>	F <sub>2</sub>	F <sub>1</sub>	F <sub>1</sub>	F <sub>0</sub>	SIO <sub>0</sub>	Input	L	Hold	Z	Z
H	L	H	L	A	Arith. 2F→Y	F <sub>2</sub>	F <sub>3</sub>	F <sub>3</sub>	F <sub>2</sub>	F <sub>1</sub>	F <sub>1</sub>	F <sub>0</sub>	SIO <sub>0</sub>	Input	L	Log. 2Q→Q	Q <sub>3</sub>	Input
H	L	H	H	B	Log. 2F→Y	F <sub>3</sub>	F <sub>3</sub>	F <sub>2</sub>	F <sub>2</sub>	F <sub>1</sub>	F <sub>1</sub>	F <sub>0</sub>	SIO <sub>0</sub>	Input	L	Log. 2Q→Q	Q <sub>3</sub>	Input
H	H	L	L	C	F→Y	F <sub>3</sub>	F <sub>3</sub>	F <sub>3</sub>	F <sub>3</sub>	F <sub>2</sub>	F <sub>2</sub>	F <sub>1</sub>	F <sub>0</sub>	Z	H	Hold	Z	Z
H	H	L	H	D	F→Y	F <sub>3</sub>	F <sub>3</sub>	F <sub>3</sub>	F <sub>3</sub>	F <sub>2</sub>	F <sub>2</sub>	F <sub>1</sub>	F <sub>0</sub>	Z	H	Log. 2Q→Q	Q <sub>3</sub>	Input
H	H	H	L	E	SIO <sub>0</sub> →Y <sub>0</sub> , Y <sub>1</sub> , Y <sub>2</sub> , Y <sub>3</sub>	SIO <sub>0</sub>	SIO <sub>0</sub>	SIO <sub>0</sub>	SIO <sub>0</sub>	SIO <sub>0</sub>	SIO <sub>0</sub>	SIO <sub>0</sub>	SIO <sub>0</sub>	Input	L	Hold	Z	Z
H	H	H	H	F	F→Y	F <sub>3</sub>	F <sub>3</sub>	F <sub>3</sub>	F <sub>3</sub>	F <sub>2</sub>	F <sub>2</sub>	F <sub>1</sub>	F <sub>0</sub>	Z	L	Hold	Z	Z

Parity = F<sub>3</sub> ∇ F<sub>2</sub> ∇ F<sub>1</sub> ∇ F<sub>0</sub> ∇ SIO<sub>3</sub>  
 ∇ = Exclusive OR

L = LOW  
 H = HIGH

Z = High-Impedance



**TABLE 4. SPECIAL FUNCTIONS FOR  $I_4 = I_3 = I_2 = I_1 = I_0 = \text{LOW}$  (Note 4)**

(Hex) lg7lg5	Special Function	ALU Function	ALU Shifter Function	SIO <sub>3</sub>		SIO <sub>0</sub>	Q Reg & Shifter Function	QIO <sub>3</sub>	QIO <sub>0</sub>	WRITE
				Most Sig Slice	Other Slices					
0	Unsigned Multiply	$F = S + C_n$ if $Z = L$ $F = R + S + C_n$ if $Z = H$	Log $F/2^{-Y}$ (Note 1)	Z	Input	F <sub>0</sub>	Log $Q/2^{-Q}$	Input	Q <sub>0</sub>	L
1	(Note 5)									
2	Two's Complement Multiply	$F = S + C_n$ if $Z = L$ $F = R + S + C_n$ if $Z = H$	Log $F/2^{-Y}$ (Note 2)	Z	Input	F <sub>0</sub>	Log $Q/2^{-Q}$	Input	Q <sub>0</sub>	L
3	(Note 5)									
4	Increment by One or Two	$F = S + 1 + C_n$	$F - Y$	Input	Input	Parity	Hold	Z	Z	L
5	Sign/Magnitude Two's Complement	$F = S + C_n$ if $Z = L$ $F = S + C_n$ if $Z = H$	$F - Y$ (Note 3)	Input	Input	Parity	Hold	Z	Z	L
6	Two's Complement Multiply, Last Cycle	$F = S + C_n$ if $Z = L$ $F = S - R - 1 + C_n$ if $Z = H$	Log $F/2^{-Y}$ (Note 2)	Z	Input	F <sub>0</sub>	Log $Q/2^{-Q}$	Input	Q <sub>0</sub>	L
7	(Note 5)									
8	Single Length Normalize	$F = S + C_n$	$F - Y$	F <sub>3</sub>	F <sub>3</sub>	Z	Log $2Q^{-Q}$	Q <sub>3</sub>	Input	L
9	(Note 5)									
A	Double Length Normalize and First Divide Op	$F = S + C_n$	Log $2F - Y$	$R_3 \nabla F_3$	F <sub>3</sub>	Input	Log $2Q^{-Q}$	Q <sub>3</sub>	Input	L
B	(Note 5)									
C	Two's Complement Divide	$F = S + R + C_n$ if $Z = L$ $F = S - R - 1 + C_n$ if $Z = H$	Log $2F - Y$	$R_3 \nabla F_3$	F <sub>3</sub>	Input	Log $2Q^{-Q}$	Q <sub>3</sub>	Input	L
D	(Note 5)									
E	Two's Complement Divide Correction and Remainder	$F = S + R + C_n$ if $Z = L$ $F = S - R - 1 + C_n$ if $Z = H$	$F - Y$	F <sub>3</sub>	F <sub>3</sub>	Z	Log $2Q^{-Q}$	Q <sub>3</sub>	Input	L
F	(Note 5)									

- Notes: 1. At the most significant slice only, the  $C_{n+4}$  signal is internally gated to the  $Y_3$  output.  
 2. At the most significant slice only,  $F_3 \nabla \text{OVR}$  is internally gated to the  $Y_3$  output.  
 3. At the most significant slice only,  $S_3 \nabla F_3$  is generated at the  $Y_3$  output.  
 4. The Q Register cannot be used explicitly as an operand for any Special Functions. It is defined implicitly within the functions.  
 5. Not valid.

L = LOW  
 H = HIGH  
 X = Don't Care  
 Z = High-Impedance  
 $\nabla$  = Exclusive OR  
 Parity =  $\text{SIO}_3 \nabla F_3 \nabla F_2 \nabla F_1 \nabla F_0$

The zero, Z, pin is an open collector input/output that can be wire-OR'ed between slices. As an output it can be used as a zero detect status flag and generally indicates that the  $Y_{0-3}$  pins are all LOW. To some extent the meaning of this signal varies with the instruction being performed. Refer to Table 5 for an exact definition of this signal as a function of the Am2903A instructions.

#### Instruction Decoder

The Instruction Decoder generates required internal control signals as a function of the nine instruction inputs,  $I_{0-8}$ ; the Instruction Enable input,  $I\bar{E}N$ ; the LSS input; and the WRITE/MSS input/output.

The  $\overline{\text{WRITE}}$  output is LOW when an instruction which writes data into the RAM is being executed. Refer to Tables 3 and 4 for a definition of the  $\overline{\text{WRITE}}$  output as a function of the Am2903A instruction inputs.

On the Am2903A, when  $\overline{\text{IEN}}$  is HIGH, the  $\overline{\text{WRITE}}$  output is forced HIGH and the Q Register and Sign Compare Flip-Flop contents are preserved. When  $\overline{\text{IEN}}$  is LOW, the  $\overline{\text{WRITE}}$  output is enabled and the Q Register and Sign Compare Flip-Flop can be written according to the Am2903A instruction. The Sign Compare Flip-Flop is an on-chip flip-flop which is used during an Am2903A divide operation (see Figure 2).

#### Programming the Am2903A Slice Position

Tying the LSS input LOW programs the slice to operate as a least significant slice (LSS) and enables the  $\overline{\text{WRITE}}$  output signal onto the WRITE/MSS bidirectional I/O pin. When LSS is tied HIGH, the WRITE/MSS pin becomes an input pin; tying the WRITE/MSS pin HIGH programs the slice to operate as an intermediate slice (IS) and tying it LOW programs the slice to operate as a most significant slice (MSS). The WRITE/MSS pin must be tied HIGH through a resistor. WRITE/MSS and LSS should not be connected together.

TABLE 5. Am2903A STATUS OUTPUTS

(Hex) lg7lg5	(Hex) lg3lg2lg1	I <sub>0</sub>	G <sub>i</sub> (i = 0 to 3)	P <sub>i</sub> (i = 0 to 3)	C <sub>n+4</sub>	$\bar{P}/OVR$		$\bar{G}/N$		Z( $\bar{O}E_V = LOW$ )		
						Most Sig Slice	Other Slices	Most Sig Slice	Other Slices	Most Sig Slice	Intermediate Slice	Least Sig Slice
X	0	H	0	1	0	0	0	F <sub>3</sub>	$\bar{G}$	$\bar{Y}_0\bar{Y}_1\bar{Y}_2\bar{Y}_3$	$\bar{Y}_0\bar{Y}_1\bar{Y}_2\bar{Y}_3$	$\bar{Y}_0\bar{Y}_1\bar{Y}_2\bar{Y}_3$
X	1	X	$\bar{R}_i \wedge S_i$	$\bar{R}_i \vee S_i$	$G \vee PC_n$	$C_{n+3} \nabla$ $C_{n+4}$	$\bar{P}$	F <sub>3</sub>	$\bar{G}$	$\bar{Y}_0\bar{Y}_1\bar{Y}_2\bar{Y}_3$	$\bar{Y}_0\bar{Y}_1\bar{Y}_2\bar{Y}_3$	$\bar{Y}_0\bar{Y}_1\bar{Y}_2\bar{Y}_3$
X	2	X	$R_i \wedge \bar{S}_i$	$R_i \vee \bar{S}_i$	$G \vee PC_n$	$C_{n+3} \nabla$ $C_{n+4}$	$\bar{P}$	F <sub>3</sub>	$\bar{G}$	$\bar{Y}_0\bar{Y}_1\bar{Y}_2\bar{Y}_3$	$\bar{Y}_0\bar{Y}_1\bar{Y}_2\bar{Y}_3$	$\bar{Y}_0\bar{Y}_1\bar{Y}_2\bar{Y}_3$
X	3	X	$R_i \wedge S_i$	$R_i \vee S_i$	$G \vee PC_n$	$C_{n+3} \nabla$ $C_{n+4}$	$\bar{P}$	F <sub>3</sub>	$\bar{G}$	$\bar{Y}_0\bar{Y}_1\bar{Y}_2\bar{Y}_3$	$\bar{Y}_0\bar{Y}_1\bar{Y}_2\bar{Y}_3$	$\bar{Y}_0\bar{Y}_1\bar{Y}_2\bar{Y}_3$
X	4	X	0	S <sub>i</sub>	$G \vee PC_n$	$C_{n+3} \nabla$ $C_{n+4}$	$\bar{P}$	F <sub>3</sub>	$\bar{G}$	$\bar{Y}_0\bar{Y}_1\bar{Y}_2\bar{Y}_3$	$\bar{Y}_0\bar{Y}_1\bar{Y}_2\bar{Y}_3$	$\bar{Y}_0\bar{Y}_1\bar{Y}_2\bar{Y}_3$
X	5	X	0	$\bar{S}_i$	$G \vee PC_n$	$C_{n+3} \nabla$ $C_{n+4}$	$\bar{P}$	F <sub>3</sub>	$\bar{G}$	$\bar{Y}_0\bar{Y}_1\bar{Y}_2\bar{Y}_3$	$\bar{Y}_0\bar{Y}_1\bar{Y}_2\bar{Y}_3$	$\bar{Y}_0\bar{Y}_1\bar{Y}_2\bar{Y}_3$
X	6	X	0	R <sub>i</sub>	$G \vee PC_n$	$C_{n+3} \nabla$ $C_{n+4}$	$\bar{P}$	F <sub>3</sub>	$\bar{G}$	$\bar{Y}_0\bar{Y}_1\bar{Y}_2\bar{Y}_3$	$\bar{Y}_0\bar{Y}_1\bar{Y}_2\bar{Y}_3$	$\bar{Y}_0\bar{Y}_1\bar{Y}_2\bar{Y}_3$
X	7	X	0	$\bar{R}_i$	$G \vee PC_n$	$C_{n+3} \nabla$ $C_{n+4}$	$\bar{P}$	F <sub>3</sub>	$\bar{G}$	$\bar{Y}_0\bar{Y}_1\bar{Y}_2\bar{Y}_3$	$\bar{Y}_0\bar{Y}_1\bar{Y}_2\bar{Y}_3$	$\bar{Y}_0\bar{Y}_1\bar{Y}_2\bar{Y}_3$
X	8	X	0	1	0	0	0	F <sub>3</sub>	$\bar{G}$	$\bar{Y}_0\bar{Y}_1\bar{Y}_2\bar{Y}_3$	$\bar{Y}_0\bar{Y}_1\bar{Y}_2\bar{Y}_3$	$\bar{Y}_0\bar{Y}_1\bar{Y}_2\bar{Y}_3$
X	9	X	$\bar{R}_i \wedge S_i$	1	0	0	0	F <sub>3</sub>	$\bar{G}$	$\bar{Y}_0\bar{Y}_1\bar{Y}_2\bar{Y}_3$	$\bar{Y}_0\bar{Y}_1\bar{Y}_2\bar{Y}_3$	$\bar{Y}_0\bar{Y}_1\bar{Y}_2\bar{Y}_3$
X	A	X	$R_i \wedge \bar{S}_i$	$R_i \vee S_i$	0	0	0	F <sub>3</sub>	$\bar{G}$	$\bar{Y}_0\bar{Y}_1\bar{Y}_2\bar{Y}_3$	$\bar{Y}_0\bar{Y}_1\bar{Y}_2\bar{Y}_3$	$\bar{Y}_0\bar{Y}_1\bar{Y}_2\bar{Y}_3$
X	B	X	$\bar{R}_i \wedge S_i$	$R_i \vee S_i$	0	0	0	F <sub>3</sub>	$\bar{G}$	$\bar{Y}_0\bar{Y}_1\bar{Y}_2\bar{Y}_3$	$\bar{Y}_0\bar{Y}_1\bar{Y}_2\bar{Y}_3$	$\bar{Y}_0\bar{Y}_1\bar{Y}_2\bar{Y}_3$
X	C	X	$R_i \wedge S_i$	1	0	0	0	F <sub>3</sub>	$\bar{G}$	$\bar{Y}_0\bar{Y}_1\bar{Y}_2\bar{Y}_3$	$\bar{Y}_0\bar{Y}_1\bar{Y}_2\bar{Y}_3$	$\bar{Y}_0\bar{Y}_1\bar{Y}_2\bar{Y}_3$
X	D	X	$\bar{R}_i \wedge \bar{S}_i$	1	0	0	0	F <sub>3</sub>	$\bar{G}$	$\bar{Y}_0\bar{Y}_1\bar{Y}_2\bar{Y}_3$	$\bar{Y}_0\bar{Y}_1\bar{Y}_2\bar{Y}_3$	$\bar{Y}_0\bar{Y}_1\bar{Y}_2\bar{Y}_3$
X	E	X	$R_i \wedge S_i$	1	0	0	0	F <sub>3</sub>	$\bar{G}$	$\bar{Y}_0\bar{Y}_1\bar{Y}_2\bar{Y}_3$	$\bar{Y}_0\bar{Y}_1\bar{Y}_2\bar{Y}_3$	$\bar{Y}_0\bar{Y}_1\bar{Y}_2\bar{Y}_3$
X	F	X	$\bar{R}_i \wedge \bar{S}_i$	1	0	0	0	F <sub>3</sub>	$\bar{G}$	$\bar{Y}_0\bar{Y}_1\bar{Y}_2\bar{Y}_3$	$\bar{Y}_0\bar{Y}_1\bar{Y}_2\bar{Y}_3$	$\bar{Y}_0\bar{Y}_1\bar{Y}_2\bar{Y}_3$
0	0	L	0 if Z = L $R_i \wedge S_i$ if Z = H	S <sub>i</sub> if Z = L $R_i \vee S_i$ if Z = H	$G \vee PC_n$	$C_{n+3} \nabla$ $C_{n+4}$	$\bar{P}$	F <sub>3</sub>	$\bar{G}$	Input	Input	Q <sub>0</sub>
1	0	L	(Note 6)									
1	8	L	(Note 6)									
2	0	L	0 if Z = L $R_i \wedge S_i$ if Z = H	S <sub>i</sub> if Z = L $R_i \vee S_i$ if Z = H	$G \vee PC_n$	$C_{n+3} \nabla$ $C_{n+4}$	$\bar{P}$	F <sub>3</sub>	$\bar{G}$	Input	Input	Q <sub>0</sub>
3	0	L	(Note 6)									
4	0	L	(Note 1)	(Note 2)	$G \vee PC_n$	$C_{n+3} \nabla$ $C_{n+4}$	$\bar{P}$	F <sub>3</sub>	$\bar{G}$	$\bar{Y}_0\bar{Y}_1\bar{Y}_2\bar{Y}_3$	$\bar{Y}_0\bar{Y}_1\bar{Y}_2\bar{Y}_3$	$\bar{Y}_0\bar{Y}_1\bar{Y}_2\bar{Y}_3$
5	0	L	0	S <sub>i</sub> if Z = L $S_i$ if Z = H	$G \vee PC_n$	$C_{n+3} \nabla$ $C_{n+4}$	$\bar{P}$	F <sub>3</sub> if Z = L $F_3 \nabla S_3$ if Z = H	$\bar{G}$	S <sub>3</sub>	Input	Input
6	0	L	0 if Z = L $R_i \wedge S_i$ if Z = H	S <sub>i</sub> if Z = L $R_i \vee S_i$ if Z = H	$G \vee PC_n$	$C_{n+3} \nabla$ $C_{n+4}$	$\bar{P}$	F <sub>3</sub>	$\bar{G}$	Input	Input	Q <sub>0</sub>
7	0	L	(Note 6)									
8	0	L	0	S <sub>i</sub>	(Note 3)	Q <sub>2</sub> $\nabla$ Q <sub>1</sub>	$\bar{P}$	Q <sub>3</sub>	$\bar{G}$	$\bar{Q}_0\bar{Q}_1\bar{Q}_2\bar{Q}_3$	$\bar{Q}_0\bar{Q}_1\bar{Q}_2\bar{Q}_3$	$\bar{Q}_0\bar{Q}_1\bar{Q}_2\bar{Q}_3$
9	0	L	(Note 6)									
9	8	L	(Note 6)									
A	0	L	0	S <sub>i</sub>	(Note 4)	F <sub>2</sub> $\nabla$ F <sub>1</sub>	$\bar{P}$	F <sub>3</sub>	$\bar{G}$	(Note 5)	(Note 5)	(Note 5)
B	0	L	(Note 6)									
C	0	L	$R_i \wedge S_i$ if Z = L $R_i \wedge S_i$ if Z = H	$R_i \vee S_i$ if Z = L $R_i \vee S_i$ if Z = H	$G \vee PC_n$	$C_{n+3} \nabla$ $C_{n+4}$	$\bar{P}$	F <sub>3</sub>	$\bar{G}$	Sign Compare FF Output	Input	Input
D	0	L	(Note 6)									
E	0	L	$R_i \wedge S_i$ if Z = L $R_i \wedge S_i$ if Z = H	$R_i \vee S_i$ if Z = L $R_i \vee S_i$ if Z = H	$G \vee PC_n$	$C_{n+3} \nabla$ $C_{n+4}$	$\bar{P}$	F <sub>3</sub>	$\bar{G}$	Sign Compare FF Output	Input	Input
F	0	L	(Note 6)									

Notes: 1. If  $\bar{LSS}$  is LOW, G<sub>0</sub> = S<sub>0</sub> and G<sub>1</sub>, 2, 3 = 0. If  $\bar{LSS}$  is HIGH, G<sub>0</sub> 1, 2, 3 = 0.  
 2. If  $\bar{LSS}$  is LOW, P<sub>0</sub> = 1 and P<sub>1</sub>, 2, 3 = S<sub>1</sub>, 2, 3. If  $\bar{LSS}$  is HIGH, P<sub>i</sub> = S<sub>i</sub>.  
 3. At the most significant slice, C<sub>n+4</sub> = Q<sub>3</sub>  $\nabla$  Q<sub>2</sub>. At other slices, C<sub>n+4</sub> = G  $\vee$  PC<sub>n</sub>.  
 4. At the most significant slice, C<sub>n+4</sub> = F<sub>3</sub>  $\nabla$  F<sub>2</sub>. At other slices, C<sub>n+4</sub> = G  $\vee$  PC<sub>n</sub>.  
 5. Z = Q<sub>0</sub> Q<sub>1</sub> Q<sub>2</sub> Q<sub>3</sub> F<sub>0</sub> F<sub>1</sub> F<sub>2</sub> F<sub>3</sub>.  
 6. Not valid.

L = LOW = 0  
 H = HIGH = 1  
 $\vee$  = OR  
 $\wedge$  = AND  
 $\nabla$  = EXCLUSIVE OR  
 P = P<sub>3</sub>P<sub>2</sub>P<sub>1</sub>P<sub>0</sub>  
 G = G<sub>3</sub>  $\vee$  G<sub>2</sub>P<sub>3</sub>  $\vee$  G<sub>1</sub>P<sub>2</sub>P<sub>3</sub>  $\vee$  G<sub>0</sub>P<sub>1</sub>P<sub>2</sub>P<sub>3</sub>  
 C<sub>n+3</sub> = G<sub>2</sub>  $\vee$  G<sub>1</sub>P<sub>2</sub>  $\vee$  G<sub>0</sub>P<sub>1</sub>P<sub>2</sub>  $\vee$  C<sub>n</sub>P<sub>0</sub>P<sub>1</sub>P<sub>2</sub>

## Am2903A Special Functions

The Am2903A provides nine Special Functions which facilitate the implementation of the following operations:

- Single- and Double-Length Normalization
- Two's Complement Division
- Unsigned and Two's Complement Multiplication
- Conversion Between Two's Complement and Sign/Magnitude Representation
- Incrementation by One or Two

Table 4 defines these Special Functions.

The Single-Length and Double-Length Normalization functions can be used to adjust a single-precision or double-precision floating point number in order to bring its mantissa within a specified range.

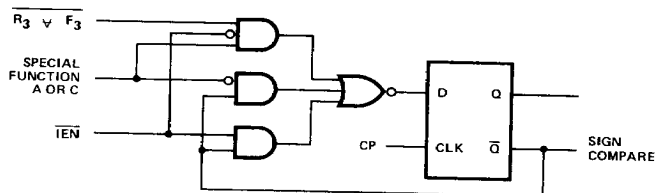
Three Special Functions which can be used to perform a two's complement, non-restoring divide operation are provided by the Am2903A. These functions provide both single- and double-precision divide operations and can be performed in

"n" clock cycles, where "n" is the number of bits in the quotient.

The Unsigned Multiply Special Function and the two Two's Complement Multiply Special Functions can be used to multiply two n-bit, unsigned or two's complement numbers, respectively, in n clock cycles. These functions utilize the conditional add and shift algorithm. During the last cycle of the two's complement multiplication, a conditional subtraction, rather than addition, is performed because the sign bit of the multiplier carries negative weight.

The Sign/Magnitude-Two's Complement Special Function can be used to convert number representation systems. A number expressed in Sign/Magnitude representation can be converted to the Two's Complement representation, and vice-versa, in one clock cycle.

The Increment by One or Two Special Function can be used to increment an unsigned or two's complement number by one or two. This is useful in 16-bit word, byte-addressable machines, where the word addresses are multiples of two.



DF000400

**Figure 2. Sign Compare Flip-Flop**

The sign compare signal appears at the Z output of the most significant slice during special functions C and E. Refer to Table 5.

## Cycle Times for 16-Bit System for Common Operations

Figure 3 shows a typical configuration using 4 Am2903A Superslices, an Am2902A carry lookahead chip, and the Am2904 for shift multiplexers, status registers, and carry-in control. For the system enclosed within the dashed lines, there are four major switching paths whose values for various kinds of cycles are summarized below, and shown on the timing waveform, Figure 4.

### 1. MICROCYCLE TIME (TCHCH).

The minimum time which must elapse between a LOW-TO-HIGH clock transition and the next LOW-TO-HIGH clock transition.

### 2. DATA SET-UP TIME (TDVCH).

The minimum time which must be allowed between valid, stable data on the D inputs and the clock LOW-TO-HIGH transition.

### 3. D TO Y (TDVYV).

The maximum time required to obtain valid Y output data after the D inputs are valid. This is the combinational delay through the parts from D to Y.

### 4. CP TO Y (TCHYV).

The maximum time required to obtain valid Y outputs after a clock LOW-TO-HIGH transition.

The types of cycles for which data is summarized are as follows:

1. Logic – Any logical operation without a shift.
2. Logic Rotate – Any logic operation with a rotate or shift.
3. Arithmetic – An add or subtract with no shift.
4. Multiply – The first cycle of a 2's complement multiply instruction. Subsequent cycles require less time.
5. Divide – The iterative divide cycle. The first divide instruction and the last divide (correction) instruction require less time.

### Time in ns Over Commercial Operating Range

CYCLE	TCHCH	TDVCH	TDVYV	TCHYV
LOGIC	99	79	59	81
LOGIC ROTATE	118	99	79	98
ARITHMETIC	130	109	91	112
MULTIPLY	152	113	95	135
DIVIDE	139	113	95	121



## ABSOLUTE MAXIMUM RATINGS

Storage Temperature .....	-65 to +150°C
(Ambient) Temperature Under Bias .....	-55 to +125°C
Supply Voltage to Ground Potential	
Continuous .....	-0.5 V to +7.0 V
DC Voltage Applied to Outputs For	
High Output State .....	-0.5 V to +V <sub>CC</sub> Max.
DC Input Voltage .....	-0.5 V to +5.5 V
DC Output Current, Into Outputs .....	30 mA
DC Input Current .....	-30 mA to +5.0 mA

Stresses above those listed under ABSOLUTE MAXIMUM RATINGS may cause permanent device failure. Functionality at or above these limits is not implied. Exposure to absolute maximum ratings for extended periods may affect device reliability.

## OPERATING RANGES

Commercial (C) Devices	
Temperature .....	0 to +70°C
Supply Voltage .....	+4.75 V to +5.25 V
Military (M) Devices	
Temperature .....	-55 to +125°C
Supply Voltage .....	+4.5 V to +5.5 V

Operating ranges define those limits over which the functionality of the device is guaranteed.

## DC CHARACTERISTICS over operating range unless otherwise specified

Table continued on next page

Parameters	Description	Test Conditions (Note 2)	Min.	Typ. (Note 1)	Max.	Units	
V <sub>OH</sub>	Output HIGH Voltage	V <sub>CC</sub> = Min. V <sub>IN</sub> = V <sub>IH</sub> or V <sub>IL</sub>	I <sub>OH</sub> = -1.6 mA Y <sub>0</sub> -Y <sub>3</sub> , $\bar{G}/N$	2.4		Volts	
			I <sub>OH</sub> = -800 $\mu$ A DB <sub>0-3</sub> , $\bar{P}/OVR$ SIO <sub>0</sub> , SIO <sub>3</sub> , QIO <sub>0</sub> , QIO <sub>3</sub> , WRITE, C <sub>n</sub> + 4	2.4			
I <sub>CEX</sub>	Output Leakage Current for Z Output (Note 4)	V <sub>CC</sub> = Min., V <sub>OH</sub> = 5.5 V V <sub>IN</sub> = V <sub>IH</sub> or V <sub>IL</sub>			250	$\mu$ A	
V <sub>OL</sub>	Output LOW Voltage	V <sub>CC</sub> = Min. V <sub>IN</sub> = V <sub>IH</sub> or V <sub>IL</sub>	Y <sub>0</sub> , Y <sub>1</sub> , Y <sub>2</sub> Y <sub>3</sub> , Z	I <sub>OL</sub> = 20 mA (COM'L) I <sub>OL</sub> = 16 mA (MIL)		0.5	Volts
			DB <sub>0</sub> , DB <sub>1</sub> , DB <sub>2</sub> , DB <sub>3</sub>	I <sub>OL</sub> = 12 mA (COM'L) I <sub>OL</sub> = 8.0 mA (MIL)		0.5	
			$\bar{G}/N$	I <sub>OL</sub> = 18 mA		0.5	
			$\bar{P}/OVR$	I <sub>OL</sub> = 10 mA		0.5	
			C <sub>n</sub> + 4, SIO <sub>0</sub> SIO <sub>3</sub> , QIO <sub>0</sub> QIO <sub>3</sub> , WRITE	I <sub>OL</sub> = 8.0 mA		0.5	
V <sub>IH</sub>	Input HIGH Level	Guaranteed input logical HIGH voltage for all inputs (Note 6)	2.0			Volts	
V <sub>IL</sub>	Input LOW Level	Guaranteed input logical LOW voltage for all inputs (Note 6)			0.8	Volts	
V <sub>I</sub>	Input Clamp Voltage	V <sub>CC</sub> = Min., I <sub>IN</sub> = -18 mA			-1.5	Volts	
I <sub>IL</sub>	Input LOW Current	V <sub>CC</sub> = Max., V <sub>IN</sub> = 0.5 V (Note 4)	C <sub>n</sub>			-3.6	mA
			Y <sub>0</sub> , Y <sub>1</sub> , Y <sub>2</sub> , Y <sub>3</sub>			-1.13	
			I <sub>0</sub> , I <sub>1</sub> , I <sub>2</sub> , I <sub>3</sub> , I <sub>4</sub> DA <sub>0</sub> , DA <sub>1</sub> , DA <sub>2</sub> , DA <sub>3</sub>			-0.72	
			SIO <sub>0</sub> , SIO <sub>3</sub> , QIO <sub>0</sub> , QIO <sub>3</sub> , MSS, DB <sub>0</sub> , DB <sub>1</sub> DB <sub>2</sub> , DB <sub>3</sub>			-0.77	
			All other inputs			-0.36	
I <sub>IH</sub>	Input HIGH Current	V <sub>CC</sub> = Max., V <sub>IN</sub> = 2.7 V (Note 4)	C <sub>n</sub>			200	$\mu$ A
			Y <sub>0</sub> , Y <sub>1</sub> , Y <sub>2</sub> , Y <sub>3</sub>			110	
			I <sub>0</sub> -I <sub>4</sub> , DA <sub>0</sub> -DA <sub>3</sub>			40	
			SIO <sub>0</sub> , SIO <sub>3</sub> , QIO <sub>0</sub> , QIO <sub>3</sub> , DB <sub>0-3</sub> , MSS			90	
			All other inputs			20	

## DC CHARACTERISTICS

Parameters	Description	Test Conditions (Note 2)		Min.	Typ. (Note 1)	Max.	Units
$I_i$	Input HIGH Current	$V_{CC} = \text{Max.}, V_{IN} = 5.5 \text{ V}$				1.0	mA
$I_{OZH}$ $I_{OZL}$	Off State (HIGH Impedance) Output Current	$V_{CC} = \text{Max.},$ (Note 4)	$Y_0-Y_3$	$V_O = 2.4 \text{ V}$		110	$\mu\text{A}$
				$V_O = 0.5 \text{ V}$		-1130	
			$DB_{0-3}, QIO_{0,3},$ $SIO_{0,3}, WRITE/MSS$	$V_O = 2.4 \text{ V}$		90	
				$V_O = 0.5 \text{ V}$		-770	
$I_{OS}$	Output Short Circuit Current (Note 3)	$V_{CC} = \text{Max.} + 0.5 \text{ V}$ $V_O = 0.5 \text{ V}$		-30		-85	mA
$I_{CC}$	Power Supply Current (Note 5)	$V_{CC} = \text{Max.}$	$T_A = 25^\circ\text{C}$		220	335	$\text{mA}$
			COM'L	$T_A = 0 \text{ to } 70^\circ\text{C}$		350	
				$T_A = 70^\circ\text{C}$		291	
			MIL	$T_C = -55 \text{ to } 125^\circ\text{C}$		395	
				$T_C = 125^\circ\text{C}$		258	

- Notes: 1. Typical limits are at  $V_{CC} = 5.0 \text{ V}$ ,  $25^\circ\text{C}$  ambient and maximum loading.  
 2. For conditions shown as Min. or Max., use the appropriate value specified under Operating Ranges for the applicable device type.  
 3. Not more than one output should be shorted at a time. Duration of the short circuit test should not exceed one second.  
 4.  $Y_{0-3}$ ,  $DB_{0-3}$ ,  $SIO_{0,3}$ ,  $QIO_{0,3}$  and  $WRITE/MSS$  are three state outputs internally connected to TTL inputs. Z is an open-collector output internally connected to a TTL input. Input characteristics are measured under conditions such that the outputs are in the OFF state.  
 5. Worst case  $I_{CC}$  is at minimum temperature.  
 6. These input levels provide zero noise immunity and should only be static tested in a noise-free environment (not functionally tested).

## I. Am2903A GUARANTEED COMMERCIAL RANGE PERFORMANCE

The Am2903A Switching Characteristics are a function of the power supply voltage, the temperature, and the operating mode of the devices. The data has been condensed onto the tables below. All numbers in the tables are in ns.

### INDEX TO SWITCHING TABLES

Table	Data Type	Conditions	Applicable to
6	Clock and Write Pulse	4.75 to 5.25 V, 0 to 70°C	All Functions
7	Enable/Disable Times	4.75 to 5.25 V, 0 to 70°C	All Functions
8	Setup and Hold Times	4.75 to 5.25 V, 0 to 70°C	All Functions
1-2	Combinational Delays	4.75 to 5.25 V, 0 to 70°C	Standard Function and Increment by 1 or 2
1-3	Combinational Delays	4.75 to 5.25 V, 0 to 70°C	Multiply Instructions
1-4	Combinational Delays	4.75 to 5.25 V, 0 to 70°C	Divide Instructions
1-5	Combinational Delays	4.75 to 5.25 V, 0 to 70°C	Sign Magnitude to Two's Complement Conversion
1-6	Combinational Delays	4.75 to 5.25 V, 0 to 70°C	Single Length Normalization

### I-1. Am2903A GUARANTEED COMMERCIAL RANGE PERFORMANCE

The tables below specify the guaranteed performance of the Am2903A over the commercial operating range of 0 to +70°C with  $V_{CC}$  from 4.75 to 5.25 V. All data are in ns, with inputs switching between 0 and 3 V at 1 V/ns and measurements made at 1.5 V. All outputs have maximum DC load.

**TABLE 6. CLOCK AND WRITE PULSE CHARACTERISTICS ALL FUNCTIONS**

Minimum Clock Low Time	30 ns
Minimum Clock High Time	30 ns
Minimum Time CP and $\overline{WE}$ both Low to Write	15 ns

**TABLE 7. ENABLE/DISABLE TIMES ALL FUNCTIONS**

From	To	Enable	Disable
$\overline{OEY}$	Y	25	21
$\overline{OEB}$	DB	25	21
$I_B$	SIO	25	21
$I_B$	QIO	38	38
I8765	QIO	38	38
I43210	QIO	38	38
$\overline{LSS}$	$\overline{WR}$	25	21

Note:  $C_L = 5.0$  pF for output disable tests. Measurement is made to a 0.5 V change on the output.

**TABLE 8. SETUP AND HOLD TIMES ALL FUNCTIONS**

From	With Respect to	HIGH-to-LOW		LOW-to-HIGH		Comments
		Setup	Hold	Setup	Hold	
Y	CP	Don't Care	Don't Care	14	3	Store Y in RAM/Q (Note 1)
$\overline{WE}$ HIGH	CP	15	Tpwl		0	Prevent Writing
$\overline{WE}$ LOW	CP	Don't Care	Don't Care	15	0	Write into RAM
A, B Source	CP	20	3	Don't Care	Don't Care	Latch Data from RAM Out
B Destination	CP	6	Tpwl		3	Write Data into B Address
QIO <sub>0, 3</sub>	CP	Don't Care	Don't Care	17	3	Shift Q
I <sub>8765</sub>	CP	12	-	20	0	Write into Q (Note 2)
$\overline{IEN}$ HIGH	CP	24			0	Prevent Writing into Q
$\overline{IEN}$ LOW	CP	Don't Care	Don't Care	21	0	Write into Q
I <sub>43210</sub>	CP	18	-	32	0	Write into Q (Note 2)

- Notes:
1. The internal Y-bus to RAM setup condition will be met 5 ns after valid Y output ( $\overline{OE}_Y = 0$ ).
  2. The setup time with respect to CP falling edge is to prevent writing. The setup time with respect to CP rising edge is to enable writing.
  3. For all other setup conditions not specified in this table, the setup time should be the delay to stable Y output plus the Y to RAM internal setup time. Even if the RAM is not being loaded, this setup condition ensures valid writing into the Q register and sign compare flip-flop.
  4.  $\overline{WE}$  controls writing into the RAM.  $\overline{IEN}$  controls writing into Q and, indirectly, controls  $\overline{WE}$  through the  $\overline{WRITE}/\overline{MSS}$  output. To prevent writing,  $\overline{IEN}$  and  $\overline{WE}$  must go HIGH during the entire clock LOW time. They may go LOW after the clock has gone LOW to cause a write, provided the  $\overline{WE}$  LOW and  $\overline{IEN}$  LOW setup times are met. Having gone LOW, they should not be returned HIGH until after the clock has gone HIGH.
  5. A and B addresses must be set up prior to the clock HIGH-to-LOW transition to latch data at the RAM output.
  6. Writing occurs when CP and  $\overline{WE}$  are both LOW. The B address should be stable during this entire period.
  7. Because I<sub>8765</sub> controls the writing or not writing of data into RAM and Q, they should be stable during the entire clock LOW time unless  $\overline{IEN}$  is HIGH, which prevents writing.
  8. The setup time prior to the clock LOW-to-HIGH transition occurs in parallel with the setup time prior to the clock HIGH-to-LOW transition and the clock LOW time. The actual setup time requirement on I<sub>43210</sub> relative to the clock LOW-to-HIGH transition is the longer of (1) the setup time prior to clock L → H and (2) the sum of the setup time prior to clock H → L and the clock LOW time.



**SWITCHING CHARACTERISTICS** over the COMMERCIAL operating range unless otherwise specified

**I-2 STANDARD FUNCTIONS AND INCREMENT BY ONE OR TWO INSTRUCTIONS (SF 4)**

From	To											
	Y	C <sub>n+4</sub>	$\bar{G}, \bar{P}$	Z	N	OVR	DB	WRITE/MSS	QIO <sub>0,3</sub>	SIO <sub>0</sub>	SIO <sub>3</sub>	SIO <sub>0</sub> Parity
A, B Addr	67	55	52	74	61	67	28	-	-	41	62	78
DA, DB	58	50	40	65	54	58	-	-	-	35	59	65
Cn	33	18	-	35	28	26	-	-	-	23	30	38
lg-0	64	64	50	72	61	62	-	34	26*	50*	62*	74*
CP	58	42	43	61	54	58	22	-	22	37	54	60
SIO <sub>0</sub> , SIO <sub>3</sub>	23	-	-	29	-	-	-	-	-	-	29	19
MSS	44	-	44	44	44	44	-	-	-	44	44	44
Y	-	-	-	17	-	-	-	-	-	-	-	-
!EN	-	-	-	-	-	-	-	20	-	-	-	-
EA	58	50	40	65	54	58	-	-	-	35	59	65

- Notes: 1. A "-" means the delay path does not exist.  
 2. An "\*" means the output is enabled or disabled by the input. See enable and disable times. A number shown with an "\*" is the delay to correct data on an enabled output.

Standard Functions: See Table 2

Increment SF 4:  $F = S + 1 + Cn$

**I-3 MULTIPLY INSTRUCTIONS (SF 0, SF 2, SF 6)**

From	Slice	To									
		Y	C <sub>n+4</sub>	$\bar{G}, \bar{P}$	Z	N	OVR	DB	WRITE/MSS	QIO <sub>0,3</sub>	SIO <sub>0</sub>
A, B Addr	MSS	67	(55)	-	-	(61)	(67)	(28)	-	-	(41)
	IS	(67)	(55)	(52)	-	-	-	(28)	-	-	(41)
	LSS	(67)	(55)	(52)	-	-	-	(28)	-	-	(41)
DA, DB	MSS	58	(50)	-	-	(54)	(58)	-	-	-	(35)
	IS	(58)	(50)	(40)	-	-	-	-	-	-	(35)
	LSS	(58)	(50)	(40)	-	-	-	-	-	-	(35)
Cn	MSS	35	(18)	-	-	(28)	(26)	-	-	-	(23)
	IS	(33)	(18)	-	-	-	-	-	-	-	(23)
	LSS	(33)	(18)	-	-	-	-	-	-	-	(23)
lg-0	MSS	94	75	-	-	88	88	-	-	(26)	73*
	IS	94	75	71	-	-	-	-	-	(26)	73*
	LSS	94	75	71	30	-	-	-	(34)	(26)	73*
CP	MSS	58	(42)	-	-	(54)	(58)	(22)	-	(22)	(37)
	IS	(58)	(42)	(43)	-	-	-	(22)	-	(22)	(37)
	LSS	90	71	67	26	-	-	(22)	-	(22)	69
Z	MSS	64	45	-	-	58	58	-	-	-	43
	IS	64	45	41	-	-	-	-	-	-	43
	LSS	-	-	-	-	-	-	-	-	-	-
SIO <sub>0</sub> , SIO <sub>3</sub>	Any	(23)	-	-	-	-	-	-	-	-	-

- Notes: 1. A "-" means the delay path does not exist.  
 2. An "\*" means the output is enabled or disabled by the input. See enable and disable times. A number shown with an "\*" is the delay to correct data on an enabled output.  
 3. A number in parentheses means the delay path is the same as specified in the Standard Functions and Increment by One or Two Instructions Table. This specification is not tested but is guaranteed by correlation to the Standard Function and Increment by One or Two Instruction Test.

**Unsigned Multiply**

SF 0:  $F = S + Cn$  if  $Z = 0$   
 $F = S + R + Cn$  if  $Z = 1$   
 $Y = \text{Log. } F/2$   
 $Q = \text{Log. } Q/2$   
 $Y_3 = Cn + 4$  (MSS)  
 $Z = Q_0$  (LSS)

**Two's Complement Multiply**

SF 2:  $F = S + Cn$  if  $Z = 0$   
 $F = R + S + Cn$  if  $Z = 1$   
 $Y = \text{Log. } F/2$   
 $Q = \text{Log. } Q/2$   
 $Y_3 = F_3 \oplus \text{OVR}$  (MSS)  
 $Z = Q_0$  (LSS)

**Two's Complement Multiply Last Cycle**

SF 6:  $F = S + Cn$  if  $Z = 0$   
 $F = S - R - 1 + Cn$  if  $Z = 1$   
 $Y = \text{Log. } F/2$   
 $Q = \text{Log. } Q/2$   
 $Y_3 = \text{OVR} \oplus$  (MSS)  
 $Z = Q_0$  (LSS)

**SWITCHING CHARACTERISTICS** over the COMMERCIAL operating range unless otherwise specified

**I-4 DIVIDE INSTRUCTIONS (SF A/SF C, SF E)**

From	To										
	Slice	Y	C <sub>n+4</sub>	G, P	Z	N	OVR	DB	WR	QIO <sub>0,3</sub>	SIO <sub>3</sub>
A, B Addr	MSS	(67)	61/(55)	-	74/-	61	67	(28)	-	-	62
	IS	(67)	(55)	(52)	(74)/-	-	-	(28)	-	-	(62)
	LSS	(67)	(55)	(52)	(74)/-	-	-	(28)	-	-	(62)
DA, DB	MSS	(58)	55/(50)	-	65/-	54	58	-	-	-	59
	IS	(58)	(50)	(40)	(65)/-	-	-	-	-	-	(59)
	LSS	(58)	(50)	(40)	(65)/-	-	-	-	-	-	(59)
Cn	MSS	(33)	33/(18)	-	35/-	28	27	-	-	-	32
	IS	(33)	(18)	-	(35)/-	-	-	-	-	-	(30)
	LSS	(33)	(18)	-	(35)/-	-	-	-	-	-	(30)
lg-0	MSS	64/84	75/68	-	72/29	61/77	62/77	-	-	(26)	62/83*
	IS	64/84	64/68	50/70	72/-	-	-	-	-	(26)	62/83*
	LSS	64/84	64/68	50/70	72/-	-	-	-	(34)	(26)	62/83*
CP	MSS	(58)/80	46/64	-	61/25	54/66	58/66	(22)	-	(22)	54/79
	IS	(58)	(42)	(43)	(61)/-	-	-	(22)	-	(22)	(54)
	LSS	(58)	(42)	(43)	(61)/-	-	-	(22)	-	(22)	(54)
Z	MSS	-	-	-	-	-	-	-	-	-	-
	IS	-/55	-/39	-/41	-	-	-	-	-	-	-/54
	LSS	-/55	-/39	-/41	-	-	-	-	-	-	-/54
SIO <sub>0</sub> , SIO <sub>3</sub>	Any	(23)	-	-	-	-	-	-	-	-	

Notes: 1. A "-" means the delay path does not exist.

2. An "\*" means the output is enabled or disabled by the input. See enable and disable times. A number shown with an "\*" is the delay to correct data on an enabled output.

3. A number in parentheses means the delay path is the same as specified in the Standard Functions and Increment by One or Two Instructions Table. This specification is not tested but is guaranteed by correlation to the Standard Function and increment by One or Two Instruction Test.

4. If two delays are given, the first is for 1st divide and normalization; the second is for two's complement divide and two's complement divide correction.

**Double Length Normalize and First Divide Op**

SF A:  $F = S + C_n$   
 $Y = \text{Log. } 2F$   
 $Q = \text{Log. } 2Q$   
 $SIO_3 = F_3 \oplus R_3$  (MSS)  
 $C_{n+4} = F_3 \oplus F_2$  (MSS)  
 $OVR = F_2 \oplus F_1$  (MSS)  
 $Z = Q_0 Q_1 Q_2 Q_3 F_0 F_1 F_2 F_3$

**Two's Complement Divide**

SF C:  $F = R + S + C_n$  if  $Z = 0$   
 $F = S - R - 1 + C_n$  if  $Z = 1$   
 $Y = \text{Log. } 2F$   
 $Q = \text{Log. } 2Q$   
 $SIO_3 = F_3 \oplus R_3$  (MSS)  
 $Z = F_3 \oplus R_3$  (MSS) from previous cycle

**Two's Complement Divide Correction and Remainder**

SF E:  $F = R + S + C_n$  if  $Z = 0$   
 $F = S - R - 1 + C_n$  if  $Z = 1$   
 $Y = F$   
 $Q = \text{Log. } 2Q$   
 $Z = F_3 \oplus R_3$  (MSS) from previous cycle



**I-6 SINGLE LENGTH NORMALIZATION (SF 8)**

From	To										
	Slice	Y	C <sub>n</sub> + 4	$\bar{G}, \bar{P}$	Z	N	OVR	DB	WRITE/ MSS	QIO <sub>0,3</sub>	SIO <sub>3</sub>
A, B Addr	MSS	(67)	-	-	-	-	-	(28)	-	-	(62)
	IS	(67)	(55)	(52)	-	-	-	(28)	-	-	(62)
	LSS	(67)	(55)	(52)	-	-	-	(28)	-	-	(62)
DA, DB	MSS	(58)	-	-	-	-	-	-	-	-	(59)
	IS	(58)	(50)	(40)	-	-	-	-	-	-	(59)
	LSS	(58)	(50)	(40)	-	-	-	-	-	-	(59)
C <sub>n</sub>	MSS	(33)	-	-	-	-	-	-	-	-	(30)
	IS	(33)	(18)	-	-	-	-	-	-	-	(30)
	LSS	(33)	(18)	-	-	-	-	-	-	-	(30)
I <sub>g-0</sub>	MSS	64	37	-	29	24	24	-	-	(26)	62*
	IS	64	64	50	29	-	-	-	-	(26)	62*
	LSS	64	64	50	29	-	-	-	(34)	(26)	62*
CP	MSS	(58)	29	-	26	26	29	(22)	-	(22)	(54)
	IS	(58)	(42)	(43)	26	-	-	(22)	-	(22)	(54)
	LSS	(58)	(42)	(43)	26	-	-	(22)	-	(22)	(54)
Z	MSS	-	-	-	-	-	-	-	-	-	-
	IS	-	-	-	-	-	-	-	-	-	-
	LSS	-	-	-	-	-	-	-	-	-	-
SIO <sub>0</sub> , SIO <sub>3</sub>	Any	(23)	-	-	-	-	-	-	-	-	-

- Notes: 1. A "-" means the delay path does not exist.  
 2. An "\*" means the output is enabled or disabled by the input. See enable and disable times. A number shown with an "\*" is the delay to correct data on an enabled output.  
 3. A number in parentheses means the delay path is the same as specified in the Standard Functions and Increment by One or Two Instructions Table. This specification is not tested but is guaranteed by correlation to the Standard Function and Increment by One or Two Instruction Test.

SF 8: F = S + C<sub>n</sub>  
 N = Q<sub>3</sub> (MSS)  
 Y = F  
 Q = Log. 2Q

$$C_n + 4 = \frac{Q_3}{Q_0} \oplus \frac{Q_2}{Q_1} \oplus \frac{Q_2}{Q_2} \oplus \frac{Q_2}{Q_3} \text{ (MSS)}$$

$$OVR = Q_2 \oplus Q_1 \text{ (MSS)}$$

## II. Am2903A GUARANTEED MILITARY RANGE PERFORMANCE

The Am2903A Switching Characteristics are a function of the power supply voltage, the temperature, and the operating

mode of the devices. The data has been condensed onto the tables below. All numbers are in ns.

### INDEX TO SWITCHING TABLES

Table	Data Type	Conditions	Applicable to
9	Clock and Write Pulse	4.5 to 5.5 V, -55 to 125°C	All Functions
10	Enable/Disable Times	4.5 to 5.5 V, -55 to 125°C	All Functions
11	Setup and Hold Times	4.5 to 5.5 V, -55 to 125°C	All Functions
1-2	Combinational Delays	4.5 to 5.5 V, -55 to 125°C	Standard Function and Increment by 1 or 2
1-3	Combinational Delays	4.5 to 5.5 V, -55 to 125°C	Multiply Instructions
1-4	Combinational Delays	4.5 to 5.5 V, -55 to 125°C	Divide Instructions
1-5	Combinational Delays	4.5 to 5.5 V, -55 to 125°C	Sign Magnitude to Two's Complement Conversion
1-6	Combinational Delays	4.5 to 5.5 V, -55 to 125°C	Single Length Normalization

### II-1. Am2903A GUARANTEED MILITARY RANGE PERFORMANCE

The tables below specify the guaranteed performance of the Am2903A over the military operating range of -55 to 125°C, with  $V_{CC}$  from 4.5 to 5.5 V. All data are in ns, with inputs switching between 0 and 3 V at 1 V/ns and measurements made at 1.5 V. All outputs have maximum DC load.

**TABLE 9. CLOCK AND WRITE PULSE CHARACTERISTICS ALL FUNCTIONS**

Minimum Clock Low Time	30 ns
Minimum Clock High Time	30 ns
Minimum Time CP and WE both Low to Write	30 ns

**TABLE 10. ENABLE/DISABLE TIMES ALL FUNCTIONS**

From	To	Enable	Disable
OEY	Y	25	21
OEB	DB	25	21
$I_B$	SIO	25	21
$I_B$	QIO	38	38
$I_{B765}$	QIO	38	38
$I_{43210}$	QIO	38	38
LSS	WR	30	25

Note:  $C_L = 5.0$  pF for output disable tests. Measurement is made to a 0.5 V change on the output.

**TABLE 11. SETUP AND HOLD TIMES ALL FUNCTIONS**

From	With Respect to	HIGH-to-LOW		LOW-to-HIGH		Comments
		Setup	Hold	Setup	Hold	
Y	CP	Don't Care	Don't Care	14	3	Store Y in RAM/Q (Note 1)
WE HIGH	CP	15	Tpwl		0	Prevent Writing
WE LOW	CP	Don't Care	Don't Care	15	0	Write into RAM
A, B Source	CP	20	3	Don't Care	Don't Care	Latch Data from RAM Out
B Destination	CP	6	Tpwl		3	Write Data into B Address
QIO <sub>0,3</sub>	CP	Don't Care	Don't Care	17	3	Shift Q
l8765	CP	12	-	20	0	Write into Q (Note 2)
IEN HIGH	CP	24			0	Prevent Writing into Q
IEN LOW	CP	Don't Care	Don't Care	21	0	Write into Q
l43210	CP	18	-	32	0	Write into Q (Note 2)

- Notes:
1. The internal Y-bus to RAM setup condition will be met 5 ns after valid Y output ( $\overline{OE}_Y = 0$ ).
  2. The setup time with respect to CP falling edge is to prevent writing. The setup time with respect to CP rising edge is to enable writing.
  3. For all other setup conditions not specified in this table, the setup time should be the delay to stable Y output, plus the Y to RAM internal setup time. Even if the RAM is not being loaded, this setup condition ensures valid writing into the Q register and sign compare flip-flop.
  4.  $\overline{WE}$  controls writing into the RAM.  $\overline{IEN}$  controls writing into Q and, indirectly, controls  $\overline{WE}$  through the WRITE/MSS output. To prevent writing,  $\overline{IEN}$  and  $\overline{WE}$  must go HIGH during the entire clock LOW time. They may go LOW after the clock has gone LOW to cause a write, provided the  $\overline{WE}$  LOW and  $\overline{IEN}$  LOW setup times are met. Having gone LOW, they should not be returned HIGH until after the clock has gone HIGH.
  5. A and B addresses must be set up prior to the clock HIGH-to-LOW transition to latch data at the RAM output.
  6. Writing occurs when CP and  $\overline{WE}$  are both LOW. The B address should be stable during this entire period.
  7. Because l8765 controls the writing or not writing of data into RAM and Q, they should be stable during the entire clock LOW time unless  $\overline{IEN}$  is HIGH, which prevents writing.
  8. The setup time prior to the clock LOW-to-HIGH transition occurs in parallel with the setup time prior to the clock HIGH-to-LOW transition and the clock LOW time. The actual setup time requirement on l43210 relative to the clock LOW-to-HIGH transition is the longer of (1) the setup time prior to clock L → H and (2) the sum of the setup time prior to clock H → L and the clock LOW time.

**SWITCHING CHARACTERISTICS** over the MILITARY operating range unless otherwise specified

**II-2 STANDARD FUNCTIONS AND INCREMENT BY ONE OR TWO INSTRUCTIONS (SF 4)**

From	To											
	Y	C <sub>n+4</sub>	$\bar{G}, \bar{P}$	Z	N	OVR	DB	WRITE/ MSS	QIO <sub>0,3</sub>	SIO <sub>0</sub>	SIO <sub>3</sub>	SIO <sub>0</sub> Parity
A, B Addr	70	58	52	78	68	67	28	-	-	47	71	84
DA, DB	60	52	40	66	55	58	-	-	-	35	61	74
Cn	35	19	-	41	31	29	-	-	-	23	33	40
I <sub>b-0</sub>	72	69	56	80	71	69	-	36	26*	58*	75*	89*
CP	60	42	43	67	55	58	22	-	25	41	61	66
SIO <sub>0</sub> , SIO <sub>3</sub>	26	-	-	29	-	-	-	-	-	-	29	19
MSS	44	-	44	44	44	44	-	-	-	44	44	44
Y	-	-	-	17	-	-	-	-	-	-	-	-
IEN	-	-	-	-	-	-	-	20	-	-	-	-
EA	60	52	40	66	55	58	-	-	-	35	61	74

Notes: 1. A "-" means the delay path does not exist.

2. An "\*" means the output is enabled or disabled by the input. See enable and disable times. A number shown with an "\*" is the delay to correct data on an enabled output.

Standard Functions: See Table 2

Increment SF 4:  $F = S + 1 + Cn$

**II-3 MULTIPLY INSTRUCTIONS (SF 0, SF 2, SF 6)**

From	Slice	To									
		Y	C <sub>n+4</sub>	$\bar{G}, \bar{P}$	Z	N	OVR	DB	WRITE/ MSS	QIO <sub>0,3</sub>	SIO <sub>0</sub>
A, B Addr	MSS	72	(58)	-	-	(68)	(67)	(28)	-	-	(47)
	IS	(70)	(58)	(52)	-	-	-	(28)	-	-	(47)
	LSS	(70)	(58)	(52)	-	-	-	(28)	-	-	(47)
DA, DB	MSS	62	(52)	-	-	(55)	(58)	-	-	-	(35)
	IS	(60)	(52)	(40)	-	-	-	-	-	-	(35)
	LSS	(60)	(52)	(40)	-	-	-	-	-	-	(35)
Cn	MSS	40	(19)	-	-	(31)	(29)	-	-	-	(23)
	IS	(35)	(19)	-	-	-	-	-	-	-	(23)
	LSS	(35)	(19)	-	-	-	-	-	-	-	(23)
I <sub>b-0</sub>	MSS	108	84	-	-	98	98	-	-	(26)	81*
	IS	108	84	80	-	-	-	-	-	(26)	81*
	LSS	108	84	80	33	-	-	-	(36)	(26)	81*
CP	MSS	62	(42)	-	-	(55)	(58)	(22)	-	(25)	(41)
	IS	(60)	(42)	(43)	-	-	-	(22)	-	(25)	(41)
	LSS	104	80	74	29	-	-	(22)	-	(25)	77
Z	MSS	75	51	-	-	65	65	-	-	-	48
	IS	75	51	47	-	-	-	-	-	-	48
	LSS	-	-	-	-	-	-	-	-	-	-
SIO <sub>0</sub> , SIO <sub>3</sub>	Any	(26)	-	-	-	-	-	-	-	-	-

Notes: 1. A "-" means the delay path does not exist.

2. An "\*" means the output is enabled or disabled by the input. See enable and disable times. A number shown with an "\*" is the delay to correct data on an enabled output.

3. A number in parentheses means the delay path is the same as specified in the Standard Functions and Increment by One or Two Instructions Table. This specification is not tested but is guaranteed by correlation to the Standard Function and Increment by One or Two Instruction Table.

**Unsigned Multiply**

SF 0:  $F = S + Cn$  if  $Z = 0$   
 $F = S + R + Cn$  if  $Z = 1$   
 $Y_3 = Cn + 4$  (MSS)  
 $Z = Q_0$  (LSS)  
 $Y = \text{Log. } F/2$   
 $Q = \text{Log. } Q/2$

**Two's Complement Multiply**

SF 2:  $F = S + Cn$  if  $Z = 0$   
 $F = R + S + Cn$  if  $Z = 1$   
 $Y_3 = F_3 \oplus \text{OVR}$  (MSS)  
 $Z = Q_0$  (LSS)  
 $Y = \text{Log. } F/2$   
 $Q = \text{Log. } Q/2$

**Two's Complement Multiply Last Cycle**

SF 6:  $F = S + Cn$  if  $Z = 0$   
 $F = S - R - 1 + Cn$  if  $Z = 1$   
 $Y_3 = \text{OVR} \oplus F_3$  (MSS)  
 $Z = Q_0$  (LSS)  
 $Y = \text{Log. } F/2$   
 $Q = \text{Log. } Q/2$

**SWITCHING CHARACTERISTICS** over the MILITARY operating range unless otherwise specified

**II-4 DIVIDE INSTRUCTION (SF A/SF C, SF E)**

From	To										
	Slice	Y	C <sub>n+4</sub>	$\bar{G}, \bar{P}$	Z	N	OVR	DB	$\bar{W}\bar{R}$	QIO <sub>0,3</sub>	SIO <sub>3</sub>
A, B Addr	MSS	(70)	72/(58)	-	78/-	68	67	(28)	-	-	71
	IS	(70)	(58)	(52)	(78)/-	-	-	(28)	-	-	(71)
	LSS	(70)	(58)	(52)	(78)/-	-	-	(28)	-	-	(71)
DA, DB	MSS	(60)	66/(52)	-	66/-	55	58	-	-	-	61
	IS	(60)	(52)	(40)	(66)/-	-	-	-	-	-	(61)
	LSS	(60)	(52)	(40)	(66)/-	-	-	-	-	-	(61)
Cn	MSS	(35)	37/(19)	-	41/-	31	29	-	-	-	36
	IS	(35)	(19)	-	(41)/-	-	-	-	-	-	(33)
	LSS	(35)	(19)	-	(41)/-	-	-	-	-	-	(33)
Ie-0	MSS	72/96	89/79	-	80/33	71/91	69/91	-	-	(26)	75/98
	IS	72/96	69/79	56/79	80/-	-	-	-	-	(26)	75/98
	LSS	72/96	69/79	56/79	80/-	-	-	-	(36)	(26)	75/98
CP	MSS	(60)/91	51/74	-	67/28	55/74	58/74	(22)	-	(25)	61/93
	IS	(60)	(42)	(43)	(67)/-	-	-	(22)	-	(25)	(61)
	LSS	(60)	(42)	(43)	(67)/-	-	-	(22)	-	(25)	(61)
Z	MSS	-	-	-	-	-	-	-	-	-	-
	IS	-/63	-/46	-/46	-	-	-	-	-	-	-/65
	LSS	-/63	-/46	-/46	-	-	-	-	-	-	-/65
SIO <sub>0</sub> , SIO <sub>3</sub>	Any	(26)	-	-	-	-	-	-	-	-	-

- Notes: 1. A "-" means the delay path does not exist.  
 2. An "\*" means the output is enabled or disabled by the input. See enable and disable times. A number shown with an "\*" is the delay to correct data on an enabled output.  
 3. A number in parentheses means the delay path is the same as specified in the Standard Functions and increment by One or Two Instructions Table. This specification is not tested but is guaranteed by correlation to the Standard Function and Increment by One or Two Instruction Test.  
 4. If two delays are given, the first is for 1st divide and normalization; the second is for two's complement divide and two's complement divide correction.

Double Length Normalize and First Divide Op

SF A:  $F = S + C_n$

$$SIO_3 = F_3 \oplus R_3 \text{ (MSS)}$$

$$C_{n+4} = F_3 \oplus F_2 \text{ (MSS)}$$

$$OVR = F_2 \oplus F_1 \text{ (MSS)}$$

$$Z = Q_0 \bar{Q}_1 \bar{Q}_2 \bar{Q}_3 \bar{F}_0 \bar{F}_1 \bar{F}_2 \bar{F}_3$$

$$Y = \text{Log. } 2F$$

$$Q = \text{Log. } 2Q$$

Two's Complement Divide

SF C:  $F = R + S + C_n$  if  $Z = 0$

$$F = S - R - 1 + C_n \text{ if } Z = 1$$

$$Y = \text{Log. } 2F$$

$$Q = \text{Log. } 2Q$$

$$SIO_3 = F_3 \oplus R_3 \text{ (MSS)}$$

$$Z = F_3 \oplus R_3 \text{ (MSS) from previous cycle}$$

Two's Complement Divide Correction and Remainder

SF E:  $F = R + S + C_n$  if  $Z = 0$

$$F = S - R - 1 + C_n \text{ if } Z = 1$$

$$Y = F$$

$$Q = \text{Log. } 2Q$$

$$Z = F_3 \oplus R_3 \text{ (MSS) from previous cycle}$$



**SWITCHING CHARACTERISTICS** over the MILITARY operating range unless otherwise specified

**II-5 SIGN MAGNITUDE TO TWO'S COMPLEMENT CONVERSION (SF 5)**

From	To										
	Slice	Y	C <sub>n</sub> + 4	$\bar{G}, \bar{P}$	Z	N	OVR	DB	WRITE/ MSS	QIO <sub>0,3</sub>	SIO <sub>3</sub>
A, B Addr	MSS	114	95	-	49	106	106	(28)	-	-	125
	IS	(70)	(58)	(52)	-	-	-	(28)	-	-	(71)
	LSS	(70)	(58)	(52)	-	-	-	(28)	-	-	(71)
DA, DB	MSS	108	89	-	43	101	101	-	-	-	119
	IS	(60)	(52)	(40)	-	-	-	-	-	-	(61)
	LSS	(60)	(52)	(40)	-	-	-	-	-	-	(61)
C <sub>n</sub>	MSS	36	(19)	-	-	35	29	-	-	-	(33)
	IS	(35)	(19)	-	-	-	-	-	-	-	(33)
	LSS	(35)	(19)	-	-	-	-	-	-	-	(33)
I <sub>8-0</sub>	MSS	98	79	-	33	97	88	-	-	(26)	109*
	IS	98	79	73	-	-	-	-	-	(26)	109*
	LSS	98	79	73	-	-	-	-	(36)	(26)	109*
CP	MSS	108	89	-	43	101	101	(22)	-	(25)	119
	IS	(60)	(42)	(43)	-	-	-	(22)	-	(25)	(61)
	LSS	(60)	(42)	(43)	-	-	-	(22)	-	(25)	(61)
Z	MSS	-	-	-	-	-	-	-	-	-	-
	IS	65	46	40	-	-	-	-	-	-	76
	LSS	65	46	40	-	-	-	-	-	-	76
IEN											
SIO <sub>0</sub> , SIO <sub>3</sub>	Any	-	-	-	-	-	-	-	-	-	-

Notes: 1. A "-" means the delay path does not exist.

2. An "\*" means the output is enabled or disabled by the input. See enable and disable times. A number shown with an "\*" is the delay to correct data on an enabled output.

3. A number in parentheses means the delay path is the same as specified in the Standard Functions and Increment by One or Two Instructions Table. This specification is not tested but is guaranteed by correlation to the Standard Function and Increment by One or Two Instruction Test.

SF 5:  $F = S + C_n$  if  $Z = 0$   
 $F = \bar{S} + C_n$  if  $Z = 1$

$Y_3 = S_3 \oplus F_3$  (MSS)  
 $Z = S_3$  (MSS)  
 $Y = F$

$Q = Q$   
 $N = F_3; Z = 0$   
 $N = F_3 \oplus S_3; Z = 1$

## II-6 SINGLE LENGTH NORMALIZATION (SF 8)

From	To										
	Slice	Y	C <sub>n + 4</sub>	G̅, P̅	Z	N	OVR	DB	WRITE/ MSS	QIO <sub>0,3</sub>	SIO <sub>3</sub>
A, B Addr	MSS	(70)	-	-	-	-	-	(28)	-	-	(71)
	IS	(70)	(58)	(52)	-	-	-	(28)	-	-	(71)
	LSS	(70)	(58)	(52)	-	-	-	(28)	-	-	(71)
DA, DB	MSS	(60)	-	-	-	-	-	-	-	-	(61)
	IS	(60)	(52)	(40)	-	-	-	-	-	-	(61)
	LSS	(60)	(52)	(40)	-	-	-	-	-	-	(61)
Cn	MSS	(35)	-	-	-	-	-	-	-	-	(33)
	IS	(35)	(19)	-	-	-	-	-	-	-	(33)
	LSS	(35)	(19)	-	-	-	-	-	-	-	(33)
lg-0	MSS	72	47	-	33	27	27	-	-	(26)	75*
	IS	72	69	56	33	-	-	-	-	(26)	75*
	LSS	72	69	56	33	-	-	-	-	(26)	75*
CP	MSS	(60)	31	-	28	26	31	(22)	-	(25)	(61)
	IS	(60)	(42)	(43)	28	-	-	(22)	-	(25)	(61)
	LSS	(60)	(42)	(43)	28	-	-	(22)	-	(25)	(61)
Z	MSS	-	-	-	-	-	-	-	-	-	-
	IS	-	-	-	-	-	-	-	-	-	-
	LSS	-	-	-	-	-	-	-	-	-	-
SIO <sub>0</sub> , SIO <sub>3</sub>	Any	(26)	-	-	-	-	-	-	-	-	

Notes: 1. A "-" means the delay path does not exist.

2. An "\*" means the output is enabled or disabled by the input. See enable and disable times. A number shown with an "\*" is the delay to correct data on an enabled output.

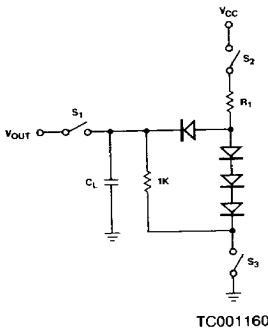
3. A number in parentheses means the delay path is the same as specified in the Standard Functions and Increment by One or Two Instructions Table. This specification is not tested but is guaranteed by correlation to the Standard Function and Increment by One or Two Instruction Test.

SF 8: F = S + Cn  
 N = Q<sub>3</sub> (MSS)  
 Y = F  
 Q = Log. 2Q

$$C_n + 4 = \frac{Q_3 \oplus Q_2}{Q_0 \bar{Q}_1 \bar{Q}_2 \bar{Q}_3} \text{ (MSS)}$$

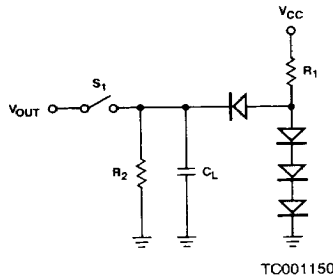
$$OVR = Q_2 \oplus Q_1 \text{ (MSS)}$$

## SWITCHING TEST CIRCUITS



**A. Three-State Outputs**

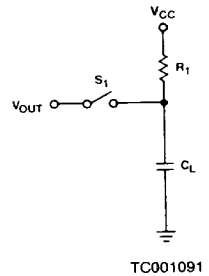
$$R_1 = \frac{5.0 - V_{BE} - V_{OL}}{I_{OL} + V_{OL}/1K}$$



**B. Normal Outputs**

$$R_2 = \frac{2.4 V}{I_{OH}}$$

$$R_1 = \frac{5.0 - V_{BE} - V_{OL}}{I_{OL} + V_{OL}/R_2}$$



**C. Open-Collector Outputs**

$$R_1 = \frac{5.0 - V_{OL}}{I_{OL}}$$

- Notes:
1.  $C_L = 50$  pF includes scope probe, wiring and stray capacitances without device in hand in test fixture.
  2.  $S_1, S_2, S_3$  are closed during function tests and all A.C. tests except output enable tests.
  3.  $S_1$  and  $S_3$  are closed while  $S_2$  is open for  $t_{pZH}$  test.  
 $S_1$  and  $S_2$  are closed while  $S_3$  is open for  $t_{pZL}$  test.
  4.  $C_L = 5.0$  pF for output disable tests.

### KEY TO SWITCHING WAVEFORMS

WAVEFORM	INPUTS	OUTPUTS
	MUST BE STEADY	WILL BE STEADY
	MAY CHANGE FROM H TO L	WILL BE CHANGING FROM H TO L
	MAY CHANGE FROM L TO H	WILL BE CHANGING FROM L TO H
	DON'T CARE: ANY CHANGE PERMITTED	CHANGING: STATE UNKNOWN
	DOES NOT APPLY	CENTER LINE IS HIGH IMPEDANCE "OFF" STATE

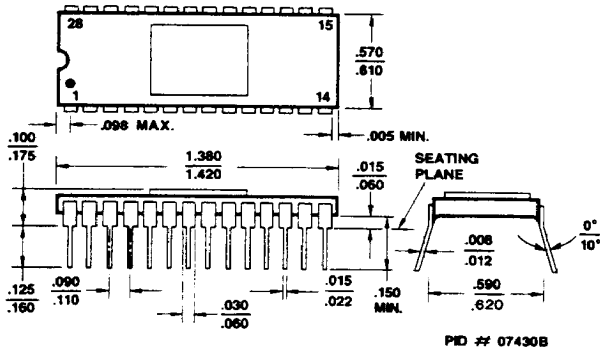
KS000010

TEST OUTPUT LOADS		
Test Circuit		
	$R_1$ ( $\Omega$ )	$R_2$ (k $\Omega$ )
A	470	1
A	$Y_0 - 3$	1
B	$C_n + 4$	3
B	$\bar{P}/OVR$	3
B	$\bar{Q}/N$	1.5
C	270	-

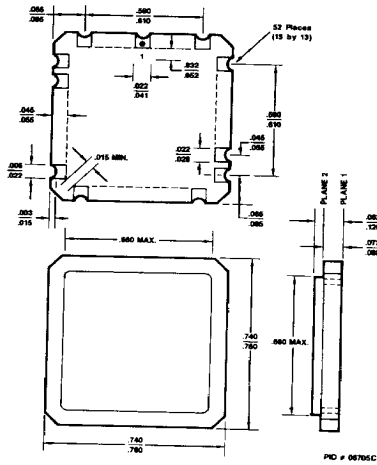
For additional information on testing, see section, "Guidelines on Testing Am2900 Family Devices," in the 1985 BML databook, p. 13-2.

# PHYSICAL DIMENSIONS (Cont'd.)

## SD 028

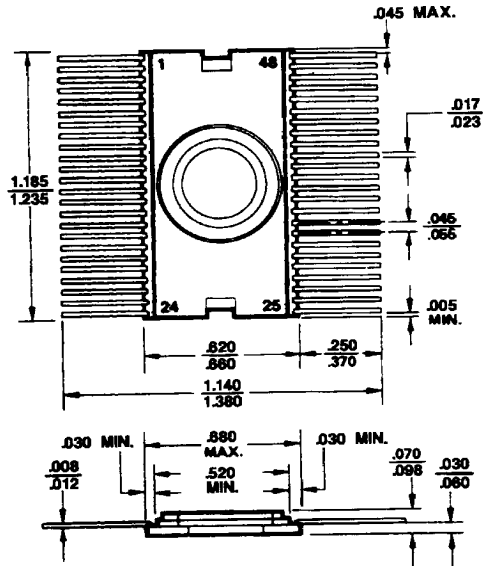


## CL 052



# PHYSICAL DIMENSIONS

## CFT048



PID # 07889A

---

---

The International Standard of  
Quality guarantees a 0.05% AQL on all  
electrical parameters, AC and DC,  
over the entire operating range.

---

---

**INT-STD-500**

## ADVANCED MICRO DEVICES DOMESTIC SALES OFFICES

ALABAMA .....	(205) 882-9122	MARYLAND .....	(301) 796-9310
ARIZONA,		MASSACHUSETTS .....	(617) 273-3970
Tempe .....	(602) 242-4400	MINNESOTA .....	(612) 938-0001
Tucson .....	(602) 792-1200	NEW JERSEY .....	(201) 299-0002
CALIFORNIA,		NEW YORK,	
El Segundo .....	(213) 640-3210	Liverpool .....	(315) 457-5400
Newport Beach .....	(714) 752-6262	Poughkeepsie (IBM only) .....	(914) 471-8180
San Diego .....	(619) 560-7030	Woodbury .....	(516) 364-8020
Sunnyvale .....	(408) 720-8811	NORTH CAROLINA, .....	(919) 847-8471
Woodland Hills .....	(818) 992-4155	OREGON .....	(503) 245-0080
COLORADO .....	(303) 741-2900	OHIO,	
CONNECTICUT, .....		Columbus .....	(614) 891-6455
	(203) 264-7800	PENNSYLVANIA,	
FLORIDA,		Allentown (AT&T only) .....	(215) 398-8006
Altamonte Springs .....	(305) 339-5022	Willow Grove .....	(215) 657-3101
Clearwater .....	(813) 530-9971	PUERTO RICO .....	(809) 764-4524
Ft. Lauderdale .....	(305) 484-8600	TEXAS,	
Melbourne .....	(305) 729-0496	Austin .....	(512) 346-7830
GEORGIA .....	(404) 449-7920	Dallas .....	(214) 934-9099
ILLINOIS .....	(312) 773-4422	Houston .....	(713) 785-9001
INDIANA .....	(317) 244-7207	WASHINGTON .....	(206) 455-3600
KANSAS .....	(913) 451-3115	WISCONSIN .....	(414) 782-7748

## INTERNATIONAL SALES OFFICES

BELGIUM,		HONG KONG,	
Bruxelles .....	TEL: ..... (02) 771 99 93	Kowloon .....	TEL: ..... 3-695377
	FAX: ..... (02) 762-3716		FAX: ..... 1234276
	TLX: ..... 61028		TLX: ..... 50426
CANADA, Ontario,		ITALY, Milano .....	TEL: ..... (02) 3390541
Kanata .....	TEL: ..... (613) 592-0090		FAX: ..... (02) 3498000
Willowdale .....	TEL: ..... (416) 224-5193		TLX: ..... 315286
	FAX: ..... (416) 224-0056	JAPAN, Tokyo .....	TEL: ..... (03) 345-8241
FRANCE,			FAX: ..... 3425196
Paris .....	TEL: ..... (01) 45 60 00 55	LATIN AMERICA,	
	FAX: ..... (01) 46,86 21 85	Ft. Lauderdale, .....	TEL: ..... (305) 484-8600
	TLX: ..... 202053F		FAX: ..... (305) 485-9736
GERMANY,			TLX: ..... 5109554261 AMDFTL
Hannover area .....	TEL: ..... (05143) 50 55	SWEDEN, Stockholm .....	TEL: ..... (08) 733 03 50
	FAX: ..... (05143) 55 53		FAX: ..... (08) 733 22 85
	TLX: ..... 925287		TLX: ..... 11602
München .....	TEL: ..... (089) 41 14-0	UNITED KINGDOM,	
	FAX: ..... (089) 406490	Manchester area .....	TEL: ..... (0925) 828008
	TLX: ..... 523883		FAX: ..... (0925) 827693
Stuttgart .....	TEL: ..... (0711) 62 33 77		TLX: ..... 628524
	FAX: ..... (0711) 625187	London area .....	TEL: ..... (04862) 22121
	TLX: ..... 721882		FAX: ..... (04862) 22179
			TLX: ..... 859103

## NORTH AMERICAN REPRESENTATIVES

CALIFORNIA		NEW MEXICO	
I <sup>2</sup> INC .....	OEM (408) 988-3400	THORSON DESERT STATES .....	(505) 293-8555
	DIST (408) 496-6868	NEW YORK	
IDAHO		NYCOM, INC .....	(315) 437-8343
INTERMOUNTAIN TECH MKGT .....	(208) 888-6071	OHIO	
INDIANA		Dayton	
SAI MARKETING CORP .....	(317) 241-9276	DOLFUSS ROOT & CO .....	(513) 433-6776
IOWA		Strongsville	
LORENZ SALES .....	(319) 377-4666	DOLFUSS ROOT & CO .....	(216) 238-0300
MICHIGAN		PENNSYLVANIA	
SAI MARKETING CORP .....	(313) 227-1786	DOLFUSS ROOT & CO .....	(412) 221-4420
NEBRASKA		UTAH	
LORENZ SALES .....	(402) 475-4660	R <sup>2</sup> MARKETING .....	(801) 595-0631

Advanced Micro Devices reserves the right to make changes in its product without notice in order to improve design or performance characteristics. The performance characteristics listed in this document are guaranteed by specific tests, correlated testing, guard banding, design and other practices common to the industry. For specific testing details, contact your local AMD sales representative. The company assumes no responsibility for the use of any circuits described herein.



ADVANCED MICRO DEVICES 901 Thompson Pl., P.O. Box 3453, Sunnyvale, CA 94088, USA  
TEL: (408) 732-2400 • TWX: 910-339-9280 • TELEX: 34-6306 • TOLL FREE: (800) 538-8450

© 1986 Advanced Micro Devices, Inc.  
Printed in U.S.A. AIS-RRD-15M-08/86-0