

PCI-6870

Socket 370 PCI Half-sized SBC, VGA/LAN/CFC II



Features

- 32-bit PCI Slot
- Supports Socket 370 Intel® Celeron®/Intel Pentium® III Processor up to 1.0 GHz
- Supports up to 100/133 MHz FSB
- Direct AGP VGA

Specifications

Processor System	CPU	Celeron (No support for PPGA or FC-PGA2 CPU)	Pentium III (No support for PPGA or FC-PGA2 CPU)
	Max. Speed	1.0 GHz	1.0 GHz
	L2 Cache	128 KB	256KB
	Chipset	Intel 815E	
	BIOS	AWARD 256 kbit FWH	
Bus	Front Side Bus	133 MHz	
	PCI	32-bit/ 33 MHz	
	ISA	-	
Memory	Technology	PC-133/100 SDRAM	
	Max. Capacity	512 MB	
	Socket	168-pin DIMM X 1	
	Controller	Chipset integrated VGA controller	
Graphics	VRAM	Dynamically shared system memory up to 64 MB	
	LVDS	-	
	TTL	-	
	Dual Display	N/A	
	Ethernet	Interface	10/100 Base-T
EIDE	Controller	815E embedded + Intel 82562ET	
	Connector	RJ-45*1	
	Mode	ATA 100/66/33	
SATA (150MB/s)	Channel	2 (Max. 4 devices)	
	port	-	
I/O Interface	USB	Max. 2 (USB 1.1 compliant)	
	Serial	1 (RS-232)/ 1 (RS-232/RS-422/RS-485)	
	Parallel	1	
	FDD	1	
	PS/2	1 (for mouse and Keyboard, Y cable included)	
	Watchdog Timer	Output	Interrupt, system reset
Miscellaneous	Interval	Programmable, 15 sec.~127 min., step 30 sec.	
	Audio Output	AC97 compliant, ALC203 (via Audio cable:1700160160)	
	Solid State Disk	Compact Flash socket (Type I/II)	
Power Requirement	Typical	Pentium III 850 MHz 256 MB SDRAM +12 V (280 mA)	+5 V (6.68 A)
	Max	Pentium III 850 MHz 256 MB SDRAM +12 V (280 mA)	+5 V (8 A)
	Environment	Temperature	Operating 0 ~ 60° C
Physical	Dimensions	185 mm (L) x 122 mm (W) (7.3" x 4.8")	

Computer On Modules 1

Embedded Single Board Computers 2

Compact Embedded Computers 3

Pre-configured Systems 4

Industrial Motherboards 5

Slot Single Board Computers 6

Industrial Computer Chassis 7

Industrial Computer Peripherals 8

Panel PCs 9

Display Solutions 10

Digital Video Solutions 11

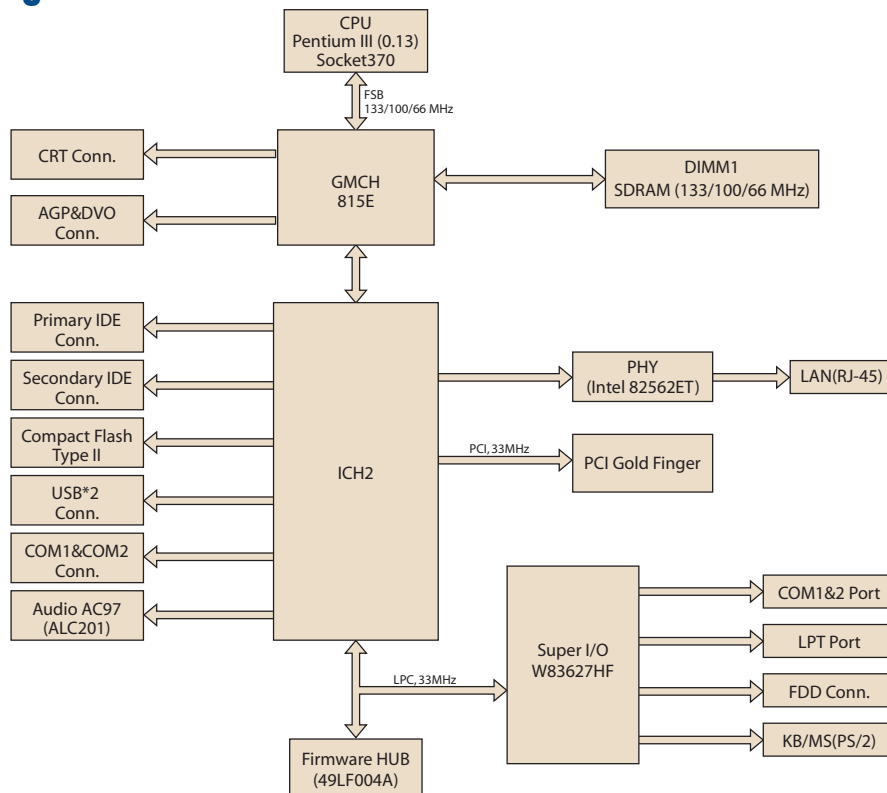
Vehicle Mounted Computers 12

Portable Computers 13

M2M Modules 14

Embedded Software Services 15

Board Diagram



Ordering Information

Part Number	FE LAN	USB	RS-232	RS-232/422/285
PCI-6870F-00A2E	Intel 82562ET	2	1	1

Bracket View



PCI-6870F-00A2E

Packing List

Part Number	Description	Quantity
1700060202	Y Cable for PS/2 Keyboard, PS/2 Mouse	x 1
1701400452	E-IDE (HDD) cable	x 1
1703340400	FDD cable (600mm)	x 1
1700260250	Parallel port cable	x 1
1700100250	Com port cable	x 1
1703080101	Power cable	x 1
9689000068	Jumper pack	x 1
-	Startup manual	x 1
-	Utility CD	x 1

Accessories

Part Number	Description
IPC-644BP-15ZE	4-slot chassis w/ 150W power supply
IPC-6806SB-15ZBE	6-slot chassis w/ 150W power supply
1703100260	USB cable with 2 ports (2.0mm pitch)
9689000042	IrDA adapter
CF-HDD-ADP	CompactFlash 50-pin to IDE 44-pin adapter
1759209100	Fan/Heatsink module
1700160160	Audio Cable