



CMOS Generic 20-Pin Programmable Logic Device

Features

- **Fast**
 - Commercial: $t_{PD} = 12 \text{ ns}$, $t_{CO} = 10 \text{ ns}$, $t_S = 10 \text{ ns}$
 - Military/Industrial: $t_{PD} = 15 \text{ ns}$, $t_{CO} = 12 \text{ ns}$, $t_S = 12 \text{ ns}$
- **Low power**
 - I_{CC} max. of 110 mA
- **Commercial, industrial, and military temperature range**
- **User-programmable output cells**
 - Selectable for registered or combinatorial operation
 - Output polarity control
 - Output enable source selectable from pin 11 or product term

- **Generic architecture to replace standard logic functions including: 10H8, 12H6, 14H4, 16H2, 10L8, 12L6, 14L4, 16L2, 10P8, 12P6, 14P4, 16P2, 16H8, 16L8, 16P8, 16R8, 16R6, 16R4, 16RP8, 16RP6, 16RP4, 18P8, 16V8**
- **Eight product terms and one OE product term per output**
- **CMOS EPROM technology for reprogrammability**
- **Highly reliable**
 - Uses proven EPROM technology
 - Fully AC and DC tested
 - Security feature prevents logic pattern duplication
 - >2000V input protection for electrostatic discharge

Functional Description

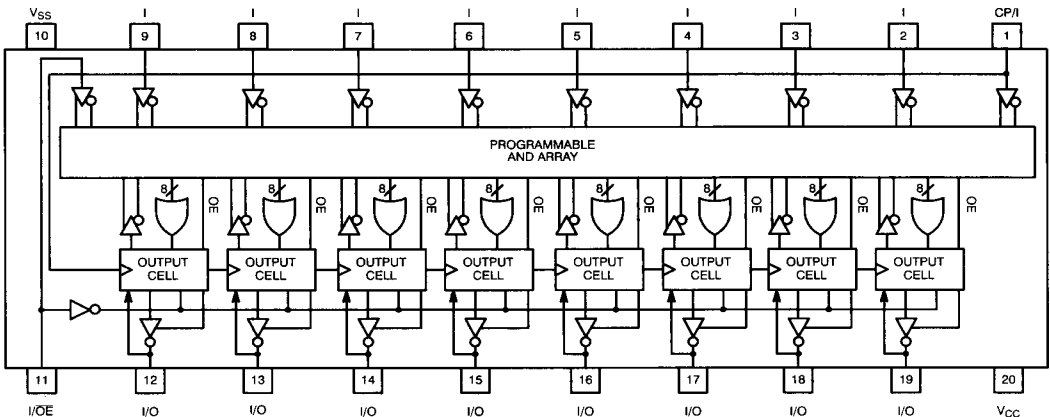
Cypress PLD devices are high-speed electrically programmable logic devices. These devices utilize the sum-of-products (AND-OR) structure, providing users with the ability to program custom logic functions for unique requirements.

In an unprogrammed state, the AND gates are connected via EPROM cells to both the true and complement of every input. By selectively programming the EPROM cells, AND gates may be connected to either the true or complement or disconnected from both true and complement inputs.

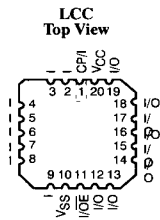
Cypress PLD C18G8 uses an advanced 0.8-micron CMOS technology and a proven EPROM cell as the programmable

4
PLDS

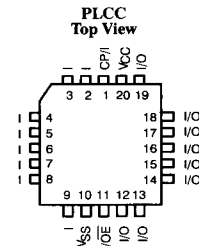
Logic Block Diagram, DIP and SOJ Pinout



Pin Configurations



18G8-3



18G8-2

18G8-1

Selection Guide

Generic Part Number	I _{CC} (mA)		t _{PD} (ns)		t _S		t _{CO}	
	Com'l	Mil/Ind	Com'l	Mil/Ind	Com'l	Mil/Ind	Com'l	Mil/Ind
18G8-12	90		12		10		10	
18G8-15	90	110	15	15	12	12	12	12
18G8-15L	70		15		12		12	
18G8-20		110		20		15		15

Functional Description (continued)

element. This technology and the inherent advantage of being able to program and erase each cell enhances the reliability and testability of the circuit, reducing the customer's need to test and to handle rejects.

A preload function allows the registered outputs to be preset to any pattern during testing. Preload is important for testing the functionality of the Cypress PLD device.

18G8 Functional Description

The PLDC18G8 is a generic 20-pin device that can be programmed to logic functions which include but are not limited to: 10H8, 12H6, 14H4, 16H2, 10L8, 12L6, 14L4, 16L2, 10P8, 12P6, 14P4, 16P2, 16H8, 16L8, 16P8, 16R8, 16R6, 16R4, 16RP8, 16RP6, 16RP4, 18P8, 16V8. Thus, the PLDC18G8 provides significant design, inventory, and programming flexibility over dedicated 20-pin devices. It is executed in a 20-pin, 300-mil molded DIP and a 300-mil windowed cerDIP. It provides up to 18 inputs and 8 outputs. When the windowed cerDIP is exposed to UV light, the 18G8 is erased and can then be reprogrammed.

The programmable output cell provides the capability of defining the architecture of each output individually. Each of the 10 output cells may be configured with registered or combinatorial outputs, active HIGH or active LOW outputs, and product term or Pin 11 generated output enables. Four architecture bits determine the

configurations as shown in the Configuration Table. A total of sixteen different configurations are possible. The default or unprogrammed state is registered/active LOW/Pin 11 OE. The entire programmable output cell is shown in *Figure 1*.

Architecture bit C1 controls the registered/combinatorial option. In either combinatorial or registered configuration, the output can serve as an I/O pin, or if the output is disabled, as an input only. Any unused inputs should be tied to ground. In either registered or combinatorial configuration, the output of the register may be fed back to the array. This allows the creation of state machines by providing storage and feedback of the current system state. The register is clocked by the signal from Pin 1. The register is initialized upon power-up to Q output LOW and \bar{Q} output HIGH.

In both the combinatorial and registered configurations, the source of the output enable signal can be individually chosen with architecture bit C2. The OE signal may be generated within the array or from the external \bar{OE} (Pin 11). Pin 11 allows direct control of the outputs, hence having faster enable/disable times.

Each output cell can be configured for output polarity. The output can be either active HIGH or active LOW. This option is controlled by architecture bit C0.

Along with this increase in functional density, the Cypress PLDC18G8 provides lower-power operation through the use of CMOS technology and increased testability with a register preload feature.

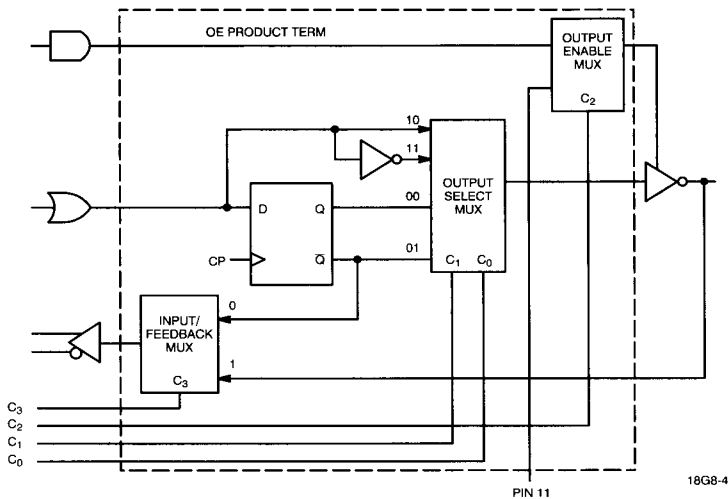


Figure 1. Programmable Output Cell

Maximum Ratings

(Above which the useful life may be impaired. For user guidelines, not tested.)

Storage Temperature	- 65°C to +150°C
Ambient Temperature with Power Applied	- 55°C to +125°C
Supply Voltage to Ground Potential	- 0.5V to +7.0V
DC Voltage Applied to Outputs in High Z State	- 0.5V to +7.0V
DC Input Voltage	- 3.0V to +7.0V
Output Current into Outputs (LOW)	24 mA
DC Programming Voltage	13.0V

Static Discharge Voltage	>2001V (per MIL-STD-883 Method 3015)
Latch-Up Current	>200 mA

Operating Range

Range	Ambient Temperature	V _{CC}
Commercial	0°C to +75°C	5V ±5%
Industrial	- 40°C to +85°C	5V ±10%
Military ^[1]	- 55°C to +125°C	5V ±10%

Electrical Characteristics Over the Operating Range (Unless Otherwise Noted)

Parameters	Description	Test Conditions	Min.	Max.	Units	
V _{OH}	Output HIGH Voltage	V _{CC} = Min., V _{IN} = V _{IH} or V _{IL} , I _{OH} = - 3.2 mA	Commercial	2.4		V
		I _{OH} = - 2 mA	Military/Industrial			
V _{OL}	Output LOW Voltage	V _{CC} = Min., V _{IN} = V _{IH} or V _{IL} , I _{OL} = 24 mA	Commercial		0.5	V
		I _{OL} = 12 mA	Military/Industrial			
V _{IH}	Input HIGH Level	Guaranteed Input Logical HIGH Voltage for All Inputs ^[2]	2.0		V	
V _{IL}	Input LOW Level	Guaranteed Input Logical LOW Voltage for All Inputs ^[2]		0.8	V	
I _{IX}	Input Leakage Current	V _{SS} ≤ V _{IN} ≤ V _{CC}	- 10	+10	μA	
V _{PP}		Programming Voltage @ I _{PP} = 50 mA Max.	12.0	13.0	V	
I _{SC}	Output Short Circuit Current	V _{CC} = Max., V _{OUT} = 0.5V ^[3]	- 30	- 90	mA	
I _{CC}	Power Supply Current	V _{IN} = 0, V _{CC} = Max., I _{OUT} = 0 mA	Commercial -15L		70	mA
			Commercial -12, -15		90	mA
			Military/Industrial		110	mA
I _{OZ}	Output Leakage Current	V _{CC} = Max., V _{SS} ≤ V _{OUT} ≤ V _{CC}	- 40	+40	μA	

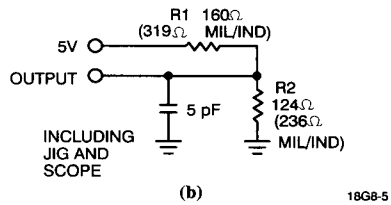
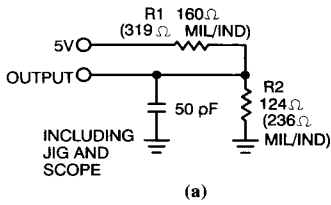
Capacitance^[4]

Parameters	Description	Test Conditions	Max.	Units
C _{IN}	Input Capacitance	T _A = 25°C, f = 1 MHz	10	pF
C _{OUT}	Output Capacitance	V _{IN} = 2.0V, V _{CC} = 5.0V	10	pF

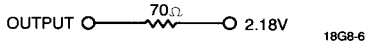
Notes:

- T_A is the "instant on" case temperature.
- These are absolute values with respect to device ground. All overshoots due to system or tester noise are included.
- Not more than one output should be tested at a time. Duration of the short circuit should not be more than one second. V_{OUT} = 0.5V has been chosen to avoid test problems caused by tester ground degradation.
- Tested initially and after any design or process changes that may affect these parameters.

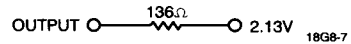
AC Test Loads and Waveforms



Equivalent to: THEVENIN EQUIVALENT (Commercial)



Equivalent to: THEVENIN EQUIVALENT (Military/Industrial)



Configuration Table^[5]

C ₃	C ₂	C ₁	C ₀	Configuration
0	0	0	0	Active LOW, Registered Mode, Registered Feedback, Pin 11 OE
0	0	0	1	Active HIGH, Registered Mode, Registered Feedback, Pin 11 OE
0	0	1	0	Active LOW, Combinatorial Mode, Registered Feedback, Pin 11 OE
0	0	1	1	Active HIGH, Combinatorial Mode, Registered Feedback, Pin 11 OE
0	1	0	0	Active LOW, Registered Mode, Registered Feedback, Product Term OE
0	1	0	1	Active HIGH, Registered Mode, Registered Feedback, Product Term OE
0	1	1	0	Active LOW, Combinatorial Mode, Registered Feedback, Product Term OE
0	1	1	1	Active HIGH, Combinatorial Mode, Registered Feedback, Product Term OE
1	0	0	0	Active LOW, Registered Mode, Pin Feedback, Pin 11 OE
1	0	0	1	Active HIGH, Registered Mode, Pin Feedback, Pin 11 OE
1	0	1	0	Active LOW, Combinatorial Mode, Pin Feedback, Pin 11 OE
1	0	1	1	Active HIGH, Combinatorial Mode, Pin Feedback, Pin 11 OE
1	1	0	0	Active LOW, Registered Mode, Pin Feedback, Product Term OE
1	1	0	1	Active HIGH, Registered Mode, Pin Feedback, Product Term OE
1	1	1	0	Active LOW, Combinatorial Mode, Pin Feedback, Product Term OE
1	1	1	1	Active HIGH, Combinatorial Mode, Pin Feedback, Product Term OE

Notes:

5. In the virgin or unprogrammed state, a configuration bit is in the "0" state.

Switching Characteristics Over the Operating Range^[1, 6, 7]

Parameters	Description	Commercial				Military/Industrial				Units
		-12		-15, -15L		-15		-20		
		Min.	Max.	Min.	Max.	Min.	Max.	Min.	Max.	
t_{PD}	Input or Feedback to Non-Registered Output		12		15		15		20	ns
t_{EA}	Input to Output Enable		12		15		15		20	ns
t_{ER}	Input to Output Disable		12		15		15		20	ns
t_{PZX}	Pin 11 to Output Enable		10		12		12		15	ns
t_{PXZ}	Pin 11 to Output Disable		10		10		10		15	ns
t_{CO}	Clock to Output		10		12		12		15	ns
t_S	Input or Feedback Set-Up Time	10		12		12		15		ns
t_H	Hold Time	0		0		0		0		ns
$t_p^{[8]}$	Clock Period	22		24		27		35		ns
t_{WH}	Clock High Time	7		8		9		10		ns
t_{WL}	Clock Low Time	8		9		10		11		ns
$f_{MAX}^{[9]}$	Maximum Frequency	50.0		41.6		41.6		33.3		MHz

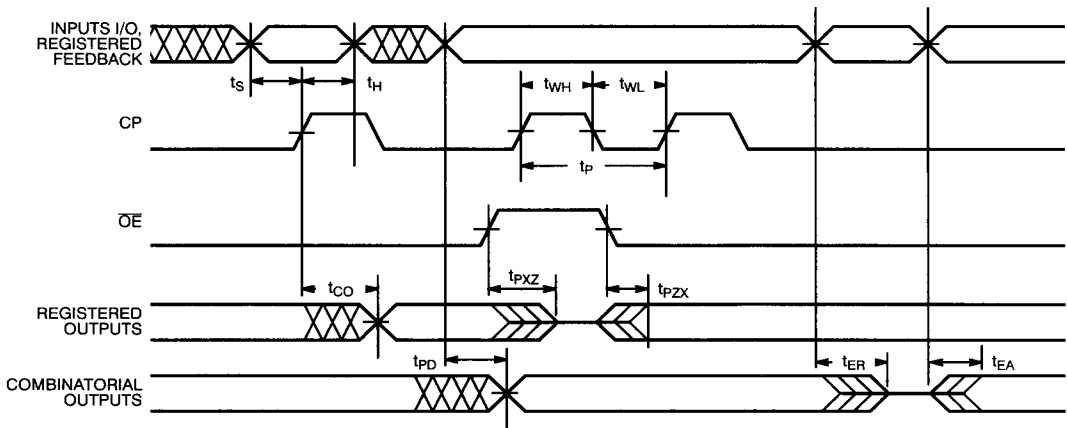
Notes:

- Part (a) of AC Test Loads and Waveforms is used for all parameters except t_{ER} , t_{PZX} , and t_{PXZ} . Part (b) of AC Test Loads and Waveforms is used for t_{ER} , t_{PZX} , and t_{PXZ} .
- The parameters t_{ER} and t_{PXZ} are measured as the delay from the input disable logic threshold transition to $V_{OH} - 0.5V$ for an enabled HIGH output or $V_{OL} + 0.5V$ for an enabled LOW input.
- t_H or minimum guaranteed clock period, is the clock period guaranteed for state machine operation and is calculated from $t_p = t_S + t_{CO}$.

The minimum guaranteed period for registered data path operation (no feedback) can be calculated as the greater of $(t_{WH} + t_{WL})$ or $(t_S + t_H)$.

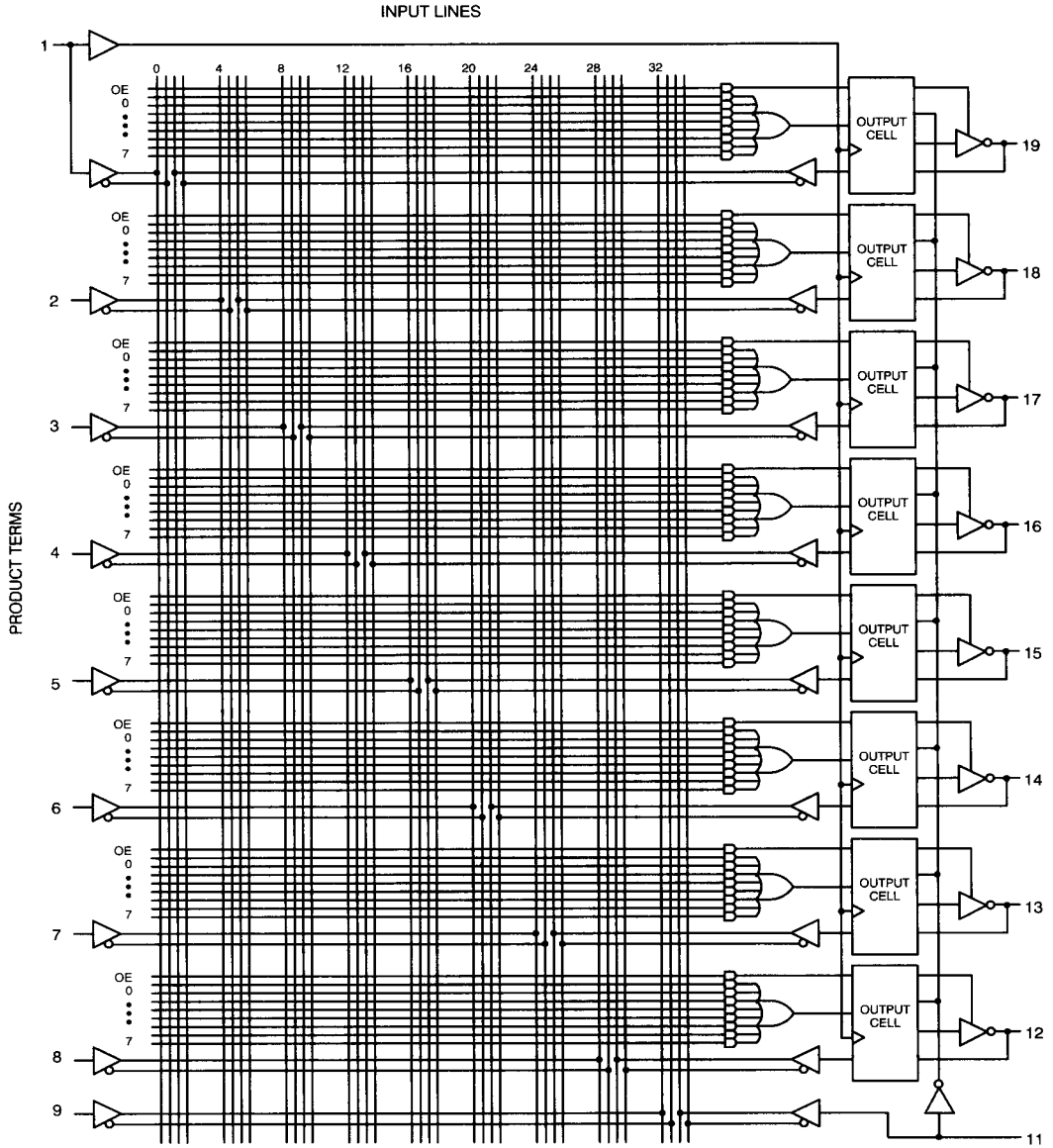
- f_{MAX} , or minimum guaranteed operating frequency, is the operating frequency guaranteed for state machine operation and is calculated from $f_{MAX} = 1/(t_S + t_{CO})$. The minimum guaranteed f_{MAX} for registered data path operation (no feedback) can be calculated as the lower of $1/(t_{WH} + t_{WL})$ or $1/(t_S + t_H)$.

Switching Waveform



18G8-8

Functional Logic Diagram



18G8-9

Ordering Information

ICC (mA)	Speed (ns)	Ordering Code	Package Name	Package Type	Operating Range
90	12	PLDC18G8-12JC	J61	20-Lead Plastic Leaded Chip Carrier	Commercial
		PLDC18G8-12PC	P5	20-Lead (300-Mil) Molded DIP	
		PLDC18G8-12VC	V5	20-Lead (300-Mil) Molded SOJ	
		PLDC18G8-12WC	W6	20-Lead (300-Mil) Windowed CerDIP	
70	15	PLDC18G8L-15JC	J61	20-Lead Plastic Leaded Chip Carrier	Commercial
		PLDC18G8L-15PC	P5	20-Lead (300-Mil) Molded DIP	
		PLDC18G8L-15VC	V5	20-Lead (300-Mil) Molded SOJ	
		PLDC18G8L-15WC	W6	20-Lead (300-Mil) Windowed CerDIP	
90	15	PLDC18G8-15JC	J61	20-Lead Plastic Leaded Chip Carrier	Commercial
		PLDC18G8-15PC	P5	20-Lead (300-Mil) Molded DIP	
		PLDC18G8-15VC	V5	20-Lead (300-Mil) Molded SOJ	
		PLDC18G8-15WC	W6	20-Lead (300-Mil) Windowed CerDIP	
110	15	PLDC18G8-15JI	J61	20-Lead Plastic Leaded Chip Carrier	Industrial
		PLDC18G8-15PI	P5	20-Lead (300-Mil) Molded DIP	
		PLDC18G8-15WI	W6	20-Lead (300-Mil) Windowed CerDIP	
110	15	PLDC18G8-15DMB	D6	20-Lead (300-Mil) CerDIP	Military
		PLDC18G8-15LMB	L61	20-Pin Square Leadless Chip Carrier	
		PLDC18G8-15QMB	Q61	20-Pin Windowed Square Leadless Chip Carrier	
		PLDC18G8-15WMB	W6	20-Lead (300-Mil) Windowed CerDIP	
110	20	PLDC18G8-20JI	J61	20-Lead Plastic Leaded Chip Carrier	Industrial
		PLDC18G8-20PI	P5	20-Lead (300-Mil) Molded DIP	
		PLDC18G8-20WI	W6	20-Lead (300-Mil) Windowed CerDIP	
110	20	PLDC18G8-20DMB	D6	20-Lead (300-Mil) CerDIP	Military
		PLDC18G8-20LMB	L61	20-Pin Square Leadless Chip Carrier	
		PLDC18G8-20QMB	Q61	20-Pin Windowed Square Leadless Chip Carrier	
		PLDC18G8-20WMB	W6	20-Lead (300-Mil) Windowed CerDIP	

4
PLDS

MILITARY SPECIFICATIONS

Group A Subgroup Testing

DC Characteristics

Parameters	Subgroups
V _{OH}	1, 2, 3
V _{OL}	1, 2, 3
V _{IH}	1, 2, 3
V _{IL}	1, 2, 3
I _{IX}	1, 2, 3
I _{OZ}	1, 2, 3
I _{CC}	1, 2, 3

AC Characteristics

Parameters	Subgroups
t _{PD}	9, 10, 11
t _{PZX}	9, 10, 11
t _{CO}	9, 10, 11
t _S	9, 10, 11
t _H	9, 10, 11

Document #: 38-00080-E