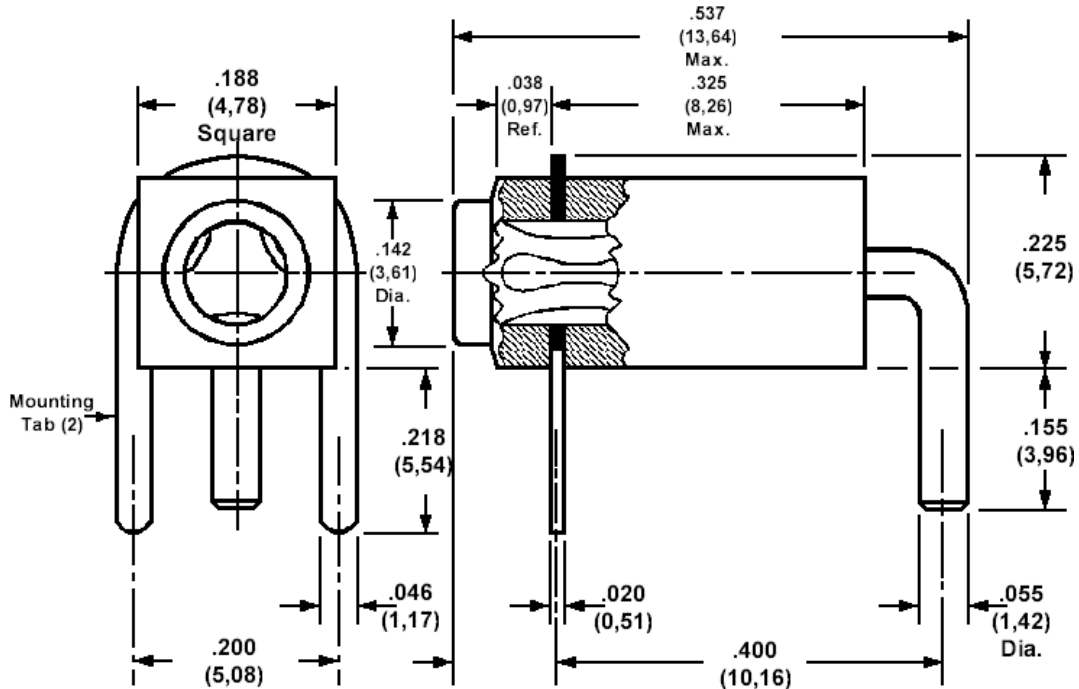


## 450-3888 Solder mount socket, horizontal, for .080 (2,03) diameter pins

(Also available, snap on, colour coded nylon insulator available - see bottom of page)



Min hole depth .325 (8,26)

How to order code  
**450-3888-01-XX-00**  
 Basic Part No XX = Finish

MATERIALS				
Component	Material	Finish(-03)	Finish(-04)	Finish(-06)
Body	Brass	Gold over Nickel	Tin	Tin
Spring	Beryllium copper	Gold over Nickel	Tin	Gold over Nickel
Front Legs	Brass	Gold over Nickel	Tin	Tin

### Snap on, colour coded nylon insulator

How to order code  
**506-4488-01-00-XX**  
 Basic Part No XX = colour

SNAP ON COVERS - COLOURS									
-10	-11	-12	-13	-14	-15	-16	-17	-18	-19
<b>Black</b>	Brown	<b>Red</b>	Orange	Yellow	Green	<b>Blue</b>	Violet	Grey	<b>White</b>

Preferred colours in bold