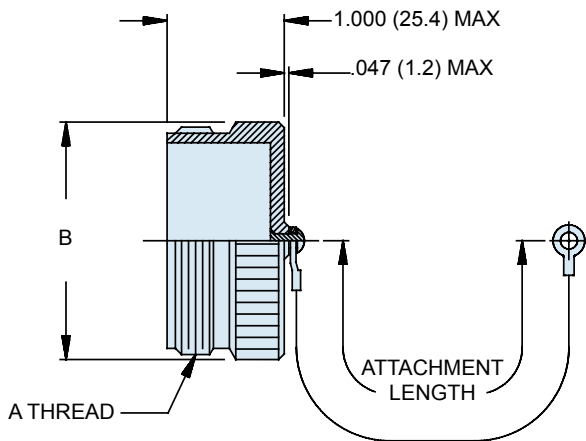


B

**660-047
MIL-DTL-28840 PLUG COVER**



**660-048
MIL-DTL-28840 RECEPTACLE COVER**

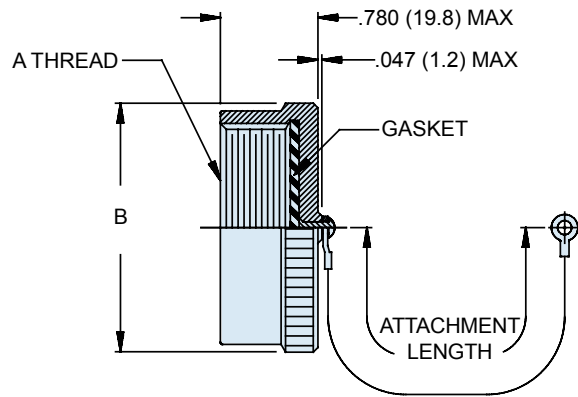


TABLE I: CONNECTOR SHELL SIZE ORDER NUMBER

DESIG-NATOR	SHELL SIZE (REF)	A THREAD	B MAX
A	11	.750 -1P-.2L-DS	1.028 (26.1)
B	13	.875 -1P-.2L-DS	1.141 (29.0)
C	15	1.062 -1P-.2L-DS	1.263 (32.1)
D	17	1.125 -1P-.2L-DS	1.387 (35.2)
E	19	1.312 -1P-.2L-DS	1.513 (38.4)
F	23	1.500 -1P-.2L-DS	1.703 (43.5)
G	25	1.625 -1P-.2L-DS	1.825 (46.4)
H	29	1.812 -1P-.2L-DS	2.143 (54.4)
J	33	2.000 -1P-.2L-DS	2.329 (59.2)

TABLE II

Symbol	Finish Description
XB	No Plating - Black Color (Non-Conductive Finish)
XM	2000 Hour Corrosion Resistant Electroless Nickel
XMT	2000 Hour Corrosion Resistant Ni-PTFE, Nickel-Fluorocarbon Polymer. 1000 Hour Grey™
XO	No Plating - Brown Color (Non-Conductive Finish)
XW	2000 Hour Corrosion Resistant Cadmium/Olive Drab over Electroless Nickel

Metric dimensions (mm) are in parentheses and are for reference only.