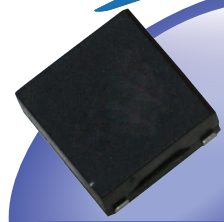
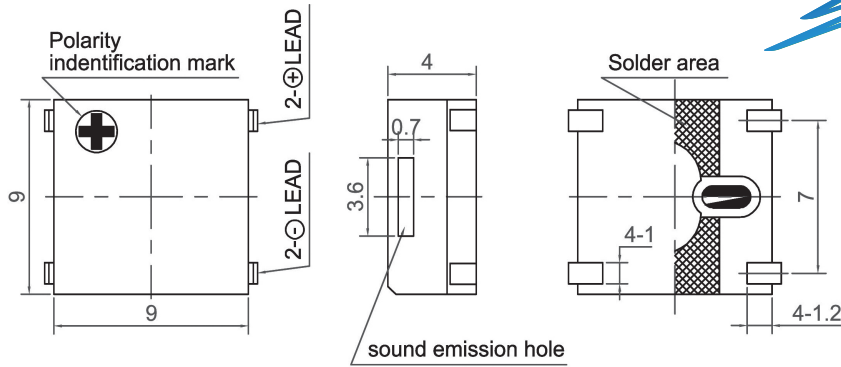
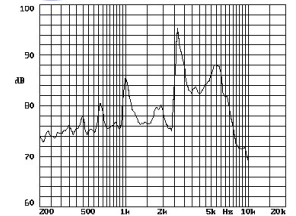


# SMD Magnetic Transducer (AC)



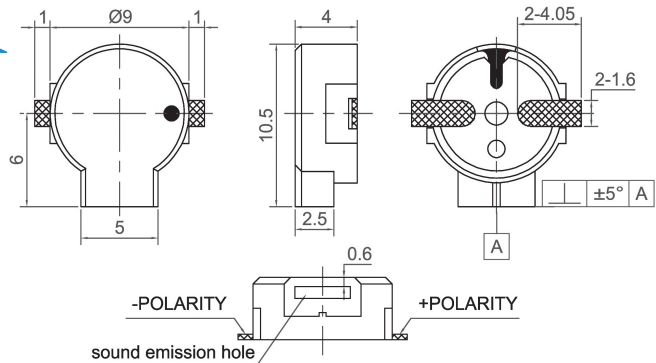
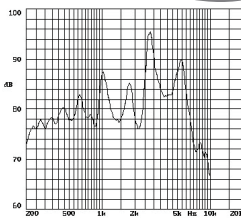
**CSMT0904-S**



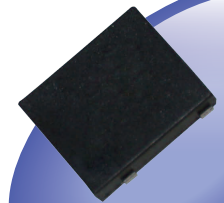
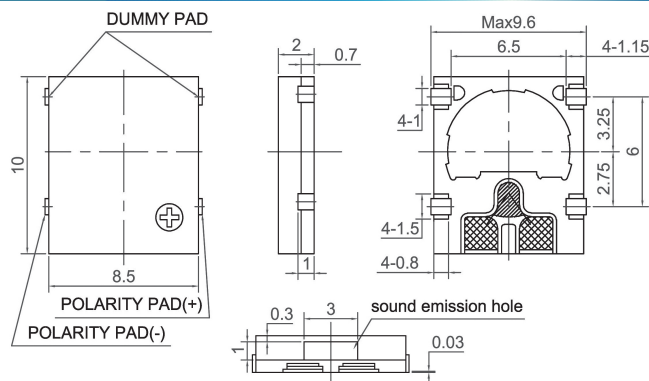
Canopus Part no.	Operating Voltage (V)	Rated Voltage (V)	Max Rated Current (mA)	Coil Resistance ( $\Omega$ )	Min Sound Output (dBA)	Resonant Frequency (Hz)	Operating Temperature ( $^{\circ}$ C)	Housing	Weight (g)
CSMT0904D2670LS	2.5 ~ 4.5	3.6	100	16 $\pm$ 3	87 at 10cm	2670	-30 ~ +70	LCP	1
CSMT0904D3000LS	2.5 ~ 4.5	3.6	100	16 $\pm$ 3	85 at 10cm	3000	-30 ~ +70	PA46	1



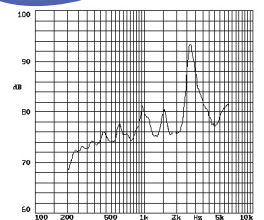
**CSMT0904-X**



Canopus Part no.	Operating Voltage (V)	Rated Voltage (V)	Max Rated Current (mA)	Coil Resistance ( $\Omega$ )	Min Sound Output (dBA)	Resonant Frequency (Hz)	Operating Temperature ( $^{\circ}$ C)	Housing	Weight (g)
CSMT0904D2731LX	2.5 ~ 4.5	3.6	90	16 $\pm$ 3	87 at 10cm	2731	-20 ~ +60	PA46	0.7
CSMT0904D3100LX	2.5 ~ 4.5	3.6	90	16 $\pm$ 3	87 at 10cm	3100	-30 ~ +70	PA46	0.7



**CSMT1002-S**



Canopus Part no.	Operating Voltage (V)	Rated Voltage (V)	Max Rated Current (mA)	Coil Resistance ( $\Omega$ )	Min Sound Output (dBA)	Resonant Frequency (Hz)	Operating Temperature ( $^{\circ}$ C)	Housing	Weight (g)
CSMT1002D2670LS	2 ~ 5	3.6	100	16 $\pm$ 2.4	88 at 10cm	2670	-30 ~ +70	LCP	0.38
CSMT1002D2731LS	2 ~ 5	3.6	100	16 $\pm$ 2.4	88 at 10cm	2731	-30 ~ +70	LCP	0.38
CSMT1002D3100LS	2 ~ 5	3.6	100	16 $\pm$ 2.4	88 at 10cm	3100	-30 ~ +70	LCP	0.38

**Your Efficient Supplier**  
[www.canopus.com.hk](http://www.canopus.com.hk)

TEL.: (852) 2806 2812

Fax: (852) 2652 2216

**CANOPUS**