

**P/N: 12ST0024HP DATA SHEET****Feature**

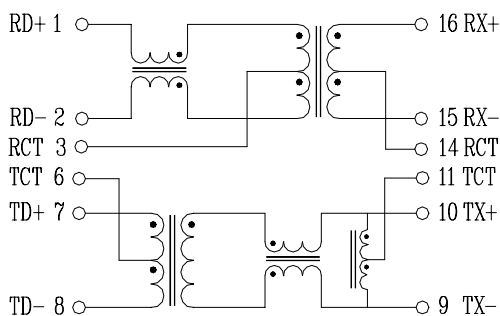
- Meets all IEEE802.3 and ANSI X3.263 standards including 350uH OCL with 8mA Bias.
- Compatible with Intel, TDK, QSI, and ICS.
- Low profile packages from .094"(2.39mm)to.078"(1.98mm) for PC Card and Card bus applications.
- Operating Temperature range: 0°C to +70°C.
- Storage temperature range: -25°C to +125°C.

Electrical Specifications @ 25°C

Part Number	Turns Ratio (±5%)		OCL (uH Min) @ 100KHz/0.1V with 8mA DC Bias	C _{w/w} (pF Max)	L.L. (uH Max)	HI-POT (Vrms)
	TX	RX				
12ST0024HP	1CT:1	1CT:1CT	350	28	0.6	2500

Continue

Part Number	Insertion Loss (dB Max)	Return Loss (dB Min)					Cross talk (dB Min)		DCMR (dB Min) TX/RX		
		0.3-100 MHz	30MHz	40MHz	50MHz	60MHz	80MHz	0.3-60MHz	60-100MHz	30MHz	60MHz
12ST0024HP	-1.15	-16	-14	-13.5	-13	-12	-45	-35	-42/-40	-35/-30	-28/-25

Schematic**Mechanical**