



虹冠電子工業股份有限公司
Champion Microelectronic Corporation

Specialized in Integrated High Efficient Switching Power Management Solutions
高整合高效率交換型電源管理方案之專業 I C 設計



上海台永商貿有限公司

SHANGHAI TAIYONG CO.,LTD

上海市普陀區桐柏路 165 弄 1 號 101-103 室

(上海)TEL:86-21-59512136

(上海)FAX:86-21-59512123

E-mail: shanghai@shanghai-taiyong.com

E-mail: shanghai@ynv-gsm.com

東莞辦事處

SHANGHAI TAIYONG CO.,LTD

東省東莞市長安鎮烏沙江貝村同和四巷 15 號

(東莞) TEL:86-769-5373287

(東莞) FAX:86-769-5373286

E-mail: dong-guan@shanghai-taiyong.com

E-mail: dong-guan@ynv-gsm.com

GENERAL DESCRIPTION

The CM3842/43 are fixed frequency current-mode PWM controllers specially designed for OFF-Line switching power supply and DC-to-DC converters with a minimum number of external components. These devices feature a trimmed oscillator for precise duty cycle control, a temperature compensated reference, high gain error amplifier, current sensing comparator, and high current totem pole output which is suitable for driving MOSFETs.

The under voltage lock-out (U.V.L.O.) is designed to operated with 200µA typ. start-up current, allowing an efficient bootstrap supply voltage design. The U.V.L.O. thresholds for the CM3842 are 16V (on) and 10V (off) which are ideal for off-line applications. The corresponding typical threshold for the CM3843 are 8.4V (on) and 7.6V (off). The CM3842/43 can operated within 100% duty cycle.

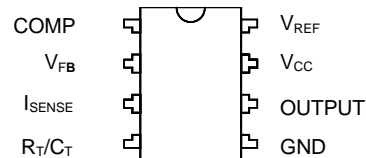
FEATURES

- ◆ Low Start-Up current (typ. 200µA)
- ◆ Optimized for Off-Line and DC-to-DC Converters
- ◆ Maximum Duty Cycle
- ◆ U.V.L.O. with Hysteresis
- ◆ Operating Frequency Up to 500KHz
- ◆ Internal Trimmed Bandgap Reference
- ◆ High Current Totem Pole Output
- ◆ Error Amplifier With Low Output Resistance
- ◆ Available in 8-Pin Plastic DIP and Surface Mount 8-Pin S.O.I.C.

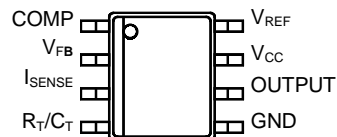
APPLICATIONS

- ◆ Off-line flyback or forward converters.
- ◆ DC-to-DC buck or boost converter.
- ◆ Monitor Power Supply

PIN CONFIGURATION



8-Pin PDIP
(Top View)



8-Pin S.O.I.C.
(Top View)

AVAILABLE OPTIONS

Device	Start-UP Voltage	Hysteresis	Max. Duty Cycle
CM3842	16V	6V	< 100%
CM3843	8.4V	0.8V	< 100%



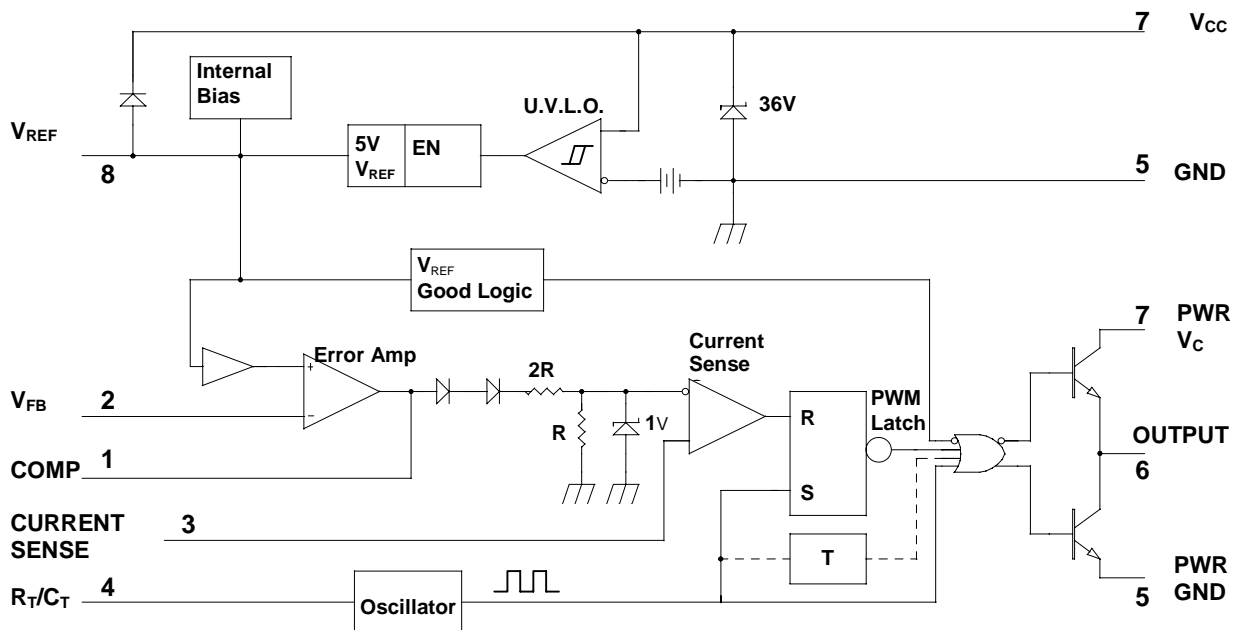
CM3842/3843

CURRENT MODE PWM CONTROLLER

ORDERING INFORMATION

Part Number	Temperature Range	Package
CM3842/43CP	0°C to 70°C	8-Pin PDIP(P08)
CM3842/43CS	0°C to 70°C	8-Pin SOIC(S08)

BLOCK DIAGRAM



Note 1 :V_{CC} and PWR V_C are internally connected for 8 pin packages.

Note 2 :PWR GND and GND are internally connected for 8 pin packages.

Note 3 :U.V.L.O. is 16V for 3842 and 8.4V for 3843.

Note 4 :Hysteresis is 6V for 3842 and 0.8V for 3843.



CM3842/3843

CURRENT MODE PWM CONTROLLER

ABSOLUTE MAXIMUM RATINGS

Supply voltage, V_{CC}	35V
Output current, I_o	$\pm 1A$
Analog inputs, V_i	-0.3V to 6.3V
Error amp output sink current, $I_{SINK(EA)}$	10mA
Power dissipation ($T_A = 25^\circ C$), P_D	1W
Maximum junction temperature T_J	150°C
Storage temperature range	-65°C to 150°C
Lead temperature (soldering, 10 seconds)	260°C
Note 5: Exceeding these ratings could cause damage to the device. All voltages are with respect to Ground. Currents are positive into, negative out of the specified terminal.	

THERMAL DATA

PDIP PACKAGE:	
Thermal Resistance-Junction to Ambient, θ_{JA}	95°C/W
SOIC PACKAGE:	
Thermal Resistance-Junction to Ambient, θ_{JA}	165°C/W
Junction Temperature Calculation: $T_J = T_A + (P_D \times \theta_{JA})$. The θ_{JA} numbers are guidelines for the thermal performance of the device/pc-board system. All of the above assume no ambient airflow.	

RECOMMENDED OPERATING CONDITIONS

Parameter	Symbol	Recommended Operating			Units
		Min.	Typ.	Max.	
Supply Voltage	V_{CC} / V_C			30	V
Input Voltage	$V_{I,R_T/C_T}$	0		5.5	V
	$V_{I,ISENSE}/V_{REF}$				
Output Voltage	$V_O, Output$	0		30	V
Supply Current	I_{CC}			25	mA
Average Output Current	I_O			200	mA
Reference Output Current	$I_{O(REF)}$			-20	mA
Timing Capacitor	C_T	1			nF
Oscillator Frequency	f_{OSC}		100	500	KHz
Operating Free-air Temperature	T_A	0		70	°C

ELECTRICAL CHARACTERISTICS

Unless otherwise specified, these specifications apply over the operating ambient temperature for CM384X with $0^\circ\text{C} \leq T_A \leq 70^\circ\text{C}$; $V_{CC} = 15\text{V}$ (note 7); $R_T = 10\text{K}$; $C_T = 3.3\text{nF}$. Low duty cycle pulse testing techniques are used which maintains junction and case temperatures equal to the ambient temperature.

Parameter	Symbol	Test Conditions	CM384X			Units
			Min.	Typ.	Max.	
Reference Section						
Reference output Voltage	V_{REF}	$T_I = 25^\circ\text{C}, I_{REF} = 1\text{mA}$	4.9	5.0	5.1	V
Line Regulation		$12\text{V} \leq V_{CC} \leq 25\text{V}, T_I = 25^\circ\text{C}$		6	20	mV
Load Regulation		$1\text{mA} \leq I_{REF} \leq 20\text{mA}$		6	25	mV
Short Circuit Output Current	I_{SC}	$T_I = 25^\circ\text{C}$	-30	-100	-180	mA
Oscillator Section						
Oscillation Frequency	f	$T_I = 25^\circ\text{C}$	47	52	57	KHz
Frequency Change with Voltage		$12\text{V} \leq V_{CC} \leq 25\text{V}$		0.2	1.0	
Frequency Change with Temperature (note 8)		$T_{MIN} \leq T_A \leq T_{MAX}$		5		%
Peak-to-peak Amplitude At R_T/C_T	V_{OSC}			1.7		V
Current Sense Section						
Gain (note 9 & 10)	$A_{V(OI)}$		2.85	3.00	3.15	V/V
Maximum Input Signal (note 9)	$V_{I(MAX)}$	COMP = 5V	0.9	1.0	1.1	V
Power Supply Rejection Ratio (note 9)	PSRR	$12\text{V} \leq V_{CC} \leq 25\text{V}$ (note 9)		70		dB
Input Bias Current	I_{BIAS}			-3.0	-10	uA



CM3842/3843

CURRENT MODE PWM CONTROLLER

ELECTRICAL CHARACTERISTICS (Continued)

Error Amplifier Section						
Input Bias Current	I_{RIAS}			-0.1	-2	μA
Input Voltage	$V_{IF(A)}$	COMP = 2.5V	2.42	2.50	2.58	V
Open Loop Voltage Gain	G_{VOL}	$2V \leq V_{O1} \leq 4V$	65	90		dB
Unity Gain Bandwidth (note 8)	UGBW	$T_I = 25^\circ C$	0.7	1		MHz
Power Supply Rejection Ratio	PSRR	$12V \leq V_{CC} \leq 25V$	60	70		dB
Output Sink Current	I_{SINK}	$V_{FR} = 2.7V$. COMP = 1.1V	2	7		mA
Output Source Current	I_{SOURCE}	$V_{FR} = 2.3V$. COMP = 5.0V	-0.5	-1.0		mA
High Output Voltage	V_{OH}	$V_{FR} = 2.3V$. $R_I = 15K\Omega$ to GND	5	6		V
Low Output Voltage	V_{OL}	$V_{FR} = 2.7V$. $R_L = 15K\Omega$ to V_{REF}		0.7	1.1	V
Output Section						
Output Low Level	V_{OL}	$I_{SINK} = 20mA$		0.1	0.4	V
		$I_{SINK} = 200mA$		1.4	2.2	
Output High Level	V_{OH}	$I_{SOURCE} = 20mA$	13	13.5		V
		$I_{SOURCE} = 200mA$	12	13.0		
Rise Time (note 8)	t_r	$T_I = 25^\circ C$. $C_I = 1nF$		50	150	ns
Fall Time (note 8)	t_f	$T_I = 25^\circ C$. $C_I = 1nF$		50	150	ns
Under-Voltage Lockout Section						
Start Threshold	$V_{TH(ST)}$	CM3842	14.5	16.0	17.5	V
		CM3843	7.8	8.4	9.0	
Min. Operating Voltage		CM3842	8.5	10	11.5	V
		CM3843	7.0	7.6	8.2	
PWM Section						
Maximum Duty Cycle		CM3842/43	94	97	100	%
Minimum Duty Cycle					0	%
Total Standby Current						
Startup Current		CM3842		0.2	0.35	mA
		CM3843		0.5	1.0	
Operating Supply Current	I_{CC}	$V_{FR} = I_{SENSE} = 0V$		14	17	mA
Zener Voltage	V_Z	$I_{CC} = 25mA$	30	35		V
<p>note 7: Adjust V_{CC} above the start threshold before setting at 15V</p> <p>note 8: These parameters, although guaranteed, are not 100% tested in production prior to shipment</p> <p>note 9: Parameters are measured at trip point of latch with $V_{FB} = 2V$</p> <p>note 10: Gain is measured between I_{SENSE} and COMP with the input changing from 0V to 0.8V</p>						

APPLICATION INFORMATION

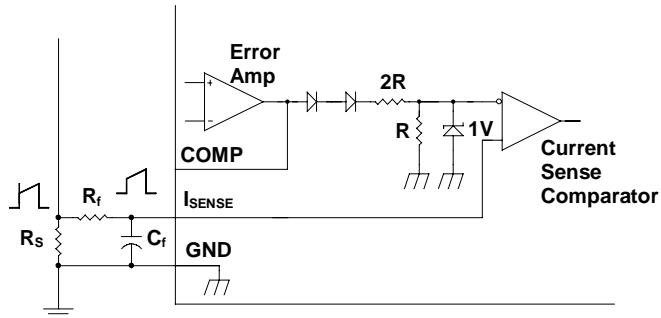


Fig. 1. Current Sense Circuit
Peak current (I_s) is set by: $I_{s(MAX)} = 1V/R_s$

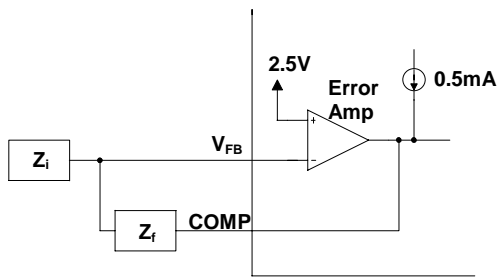


Fig. 2. Error Amplifier Configuration - the amplifier can source or sink up to 0.5mA

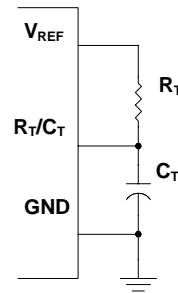


Fig. 3. Oscillator Section

$$\text{For } R_T < 5K, f = \frac{1.72}{R_T C_T}$$

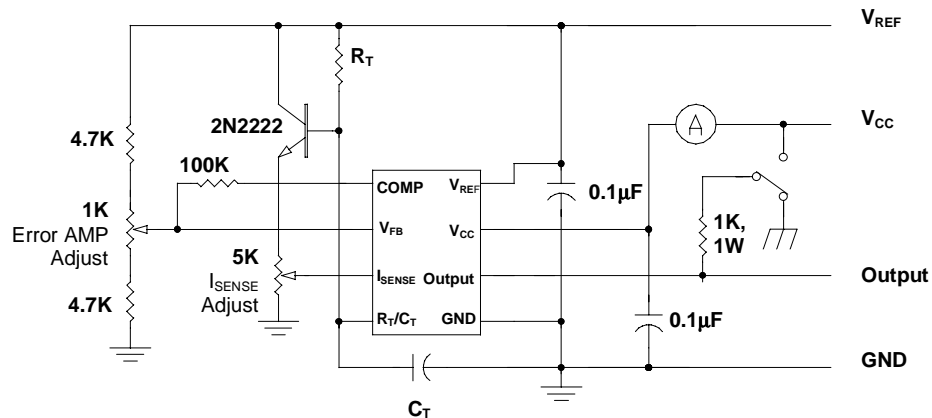


Fig. 4. Open-loop laboratory test fixture: Careful grounding techniques are necessary for high peak currents associated with capacitive loads. Timing and bypass capacitors should be connected to GND pin in a single point ground. The transistor and 5K potentiometer are used to sample the oscillator waveform and apply an adjustable ramp to the I_{SENSE} pin

APPLICATION INFORMATION (continued)

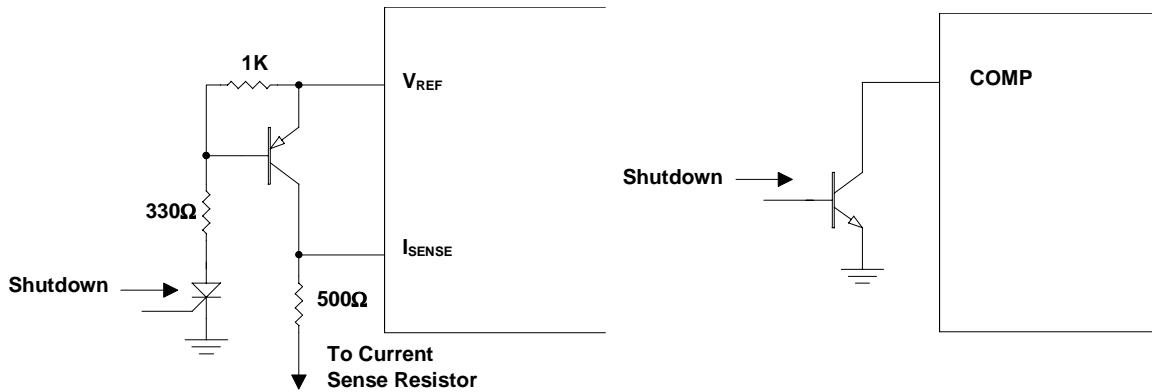


Fig. 5. Shutdown Techniques - there are two ways to shutdown the PWM controller: 1) raise the voltage at I_{SENSE} above 1V or, 2) pull the COMP below a voltage two diodes above ground.

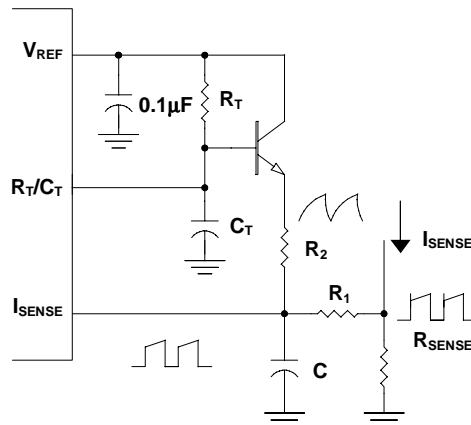
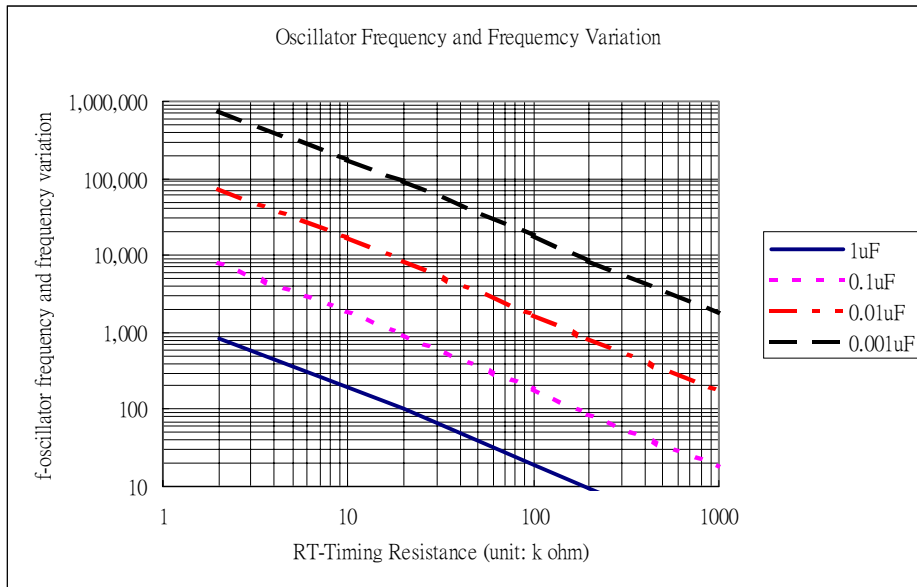
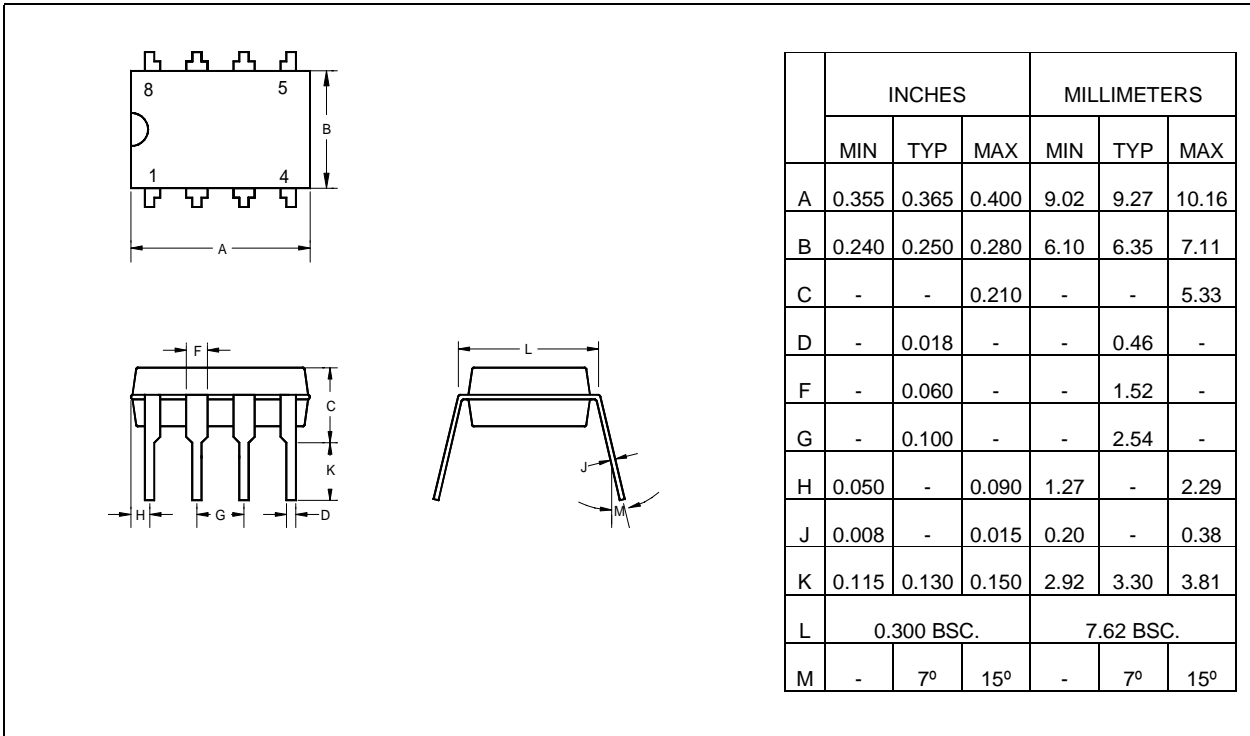


Fig 6. Slop Compensation – To achieve duty cycles over 50% for some applications , the above slope compensation technique is suggested by resistively summing a fraction of the oscillator ramp with the current sense signal.

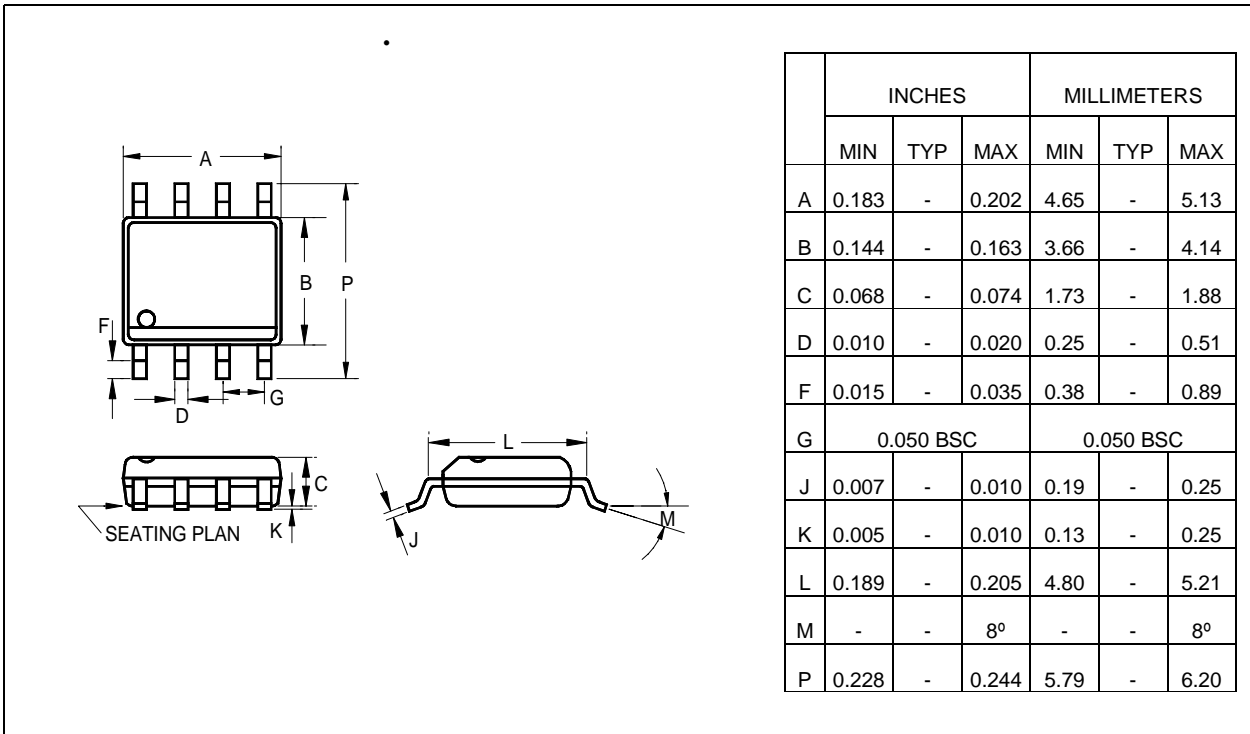
TYPICAL CHARACTERISTICS



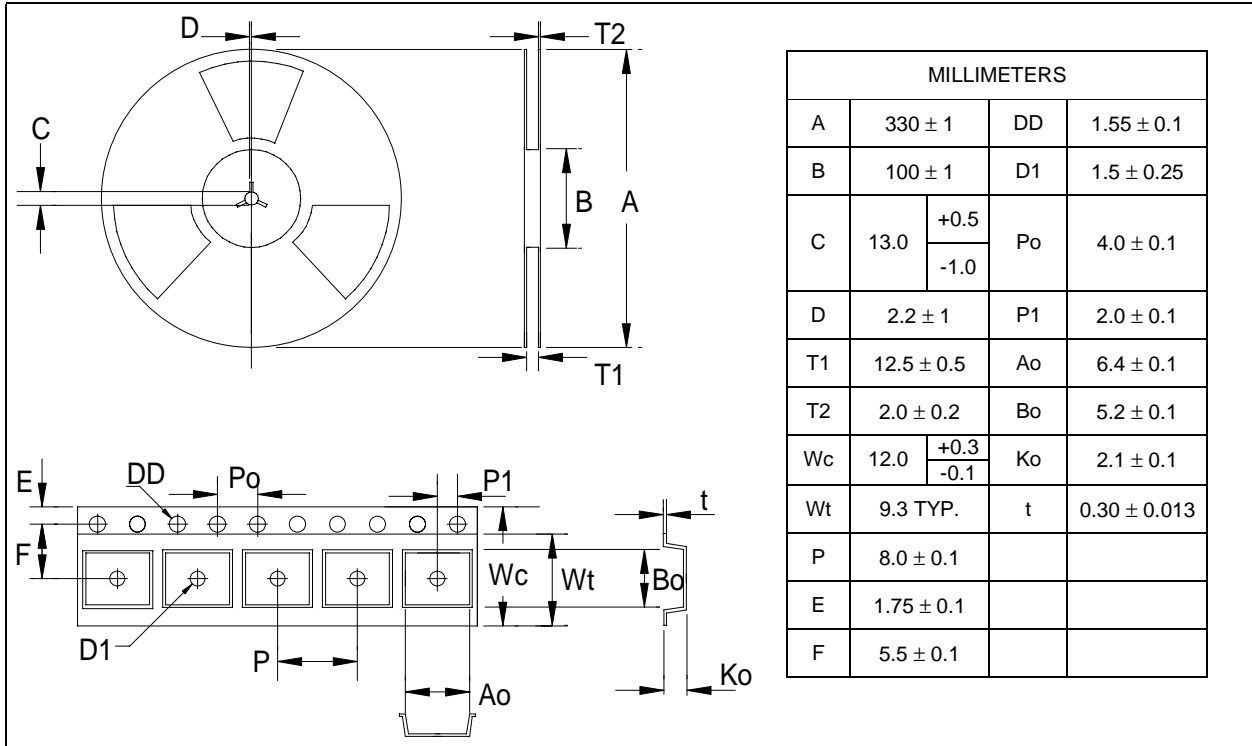
8-PIN PLASTIC DIP



8-PIN PLASTIC S.O.I.C



8-PIN PLASTIC S.O.I.C. CARRIER DIMENSIONS



上海台永商貿有限公司



SHANGHAI SALES DEPT.

上海台永商貿有限公司

SHANGHAI TAIYONG CO.,LTD

上海市普陀區桐柏路 165 弄 1 號

101-103 室

(上海)TEL:86-21-59512136

(上海)FAX:86-21-59512123

E-mail:

shanghai@shanghai-taiyong.com

E-mail:

shanghai@vny-gsm.com



INVERTER LAB & Sales Dept . DONG-GUAN,CHINA

東省東莞市長安鎮烏沙江貝村同和
四巷 15 號

(東莞) TEL:86-769-5373287

(東莞) FAX:86-769-5373286

E-mail:

dong-guan@shanghai-taiyong.com

E-mail:

dong-guan@vny-gsm.com



CERAMIC/SURGE ABSORBER SHANGHAI,CHINA



DIODES LAB HANGZHOU,CHINA



CERAMIC/PZT SHINCHU,TAIWAN



DC POWER LAB TAIPEI,TAIWAN