

## HRD05003

## Specifications

## 1. Maximum ratings

Input Voltage	0 to 50 VDC	
Remote On/Off Terminals Impressed Voltage	0 to $V_{in}-2V$	
Operating Ambient Temperature	-10°C to 80°C	Refer to the Derating Chart (Fig. 2)
Storage Temperature	-30°C to 100°C	
Operating Surface Temperature	Max. 100°C	

## 2. Characteristics (at 25°C)

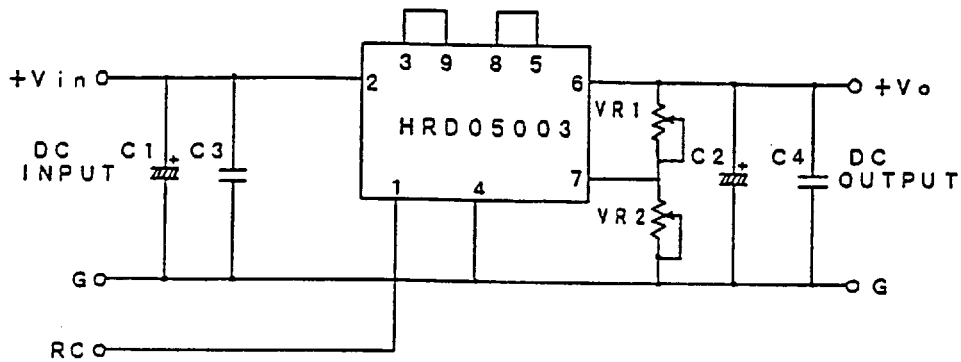
Input		
Voltage Range	8 to 40VDC	
Efficiency	80%(Avr.) 73%(Min.)	$V_{in} = 24V, I_o = 3A$
Operating Frequency	240 to 360 kHz	$V_{in} = 24V, I_o = 3A$
Output		
Regulation	4.8V to 5.3V	Note 1
Deviation from Output Voltage Setting Point (at 5V)	4.82 to 5.18V	$V_{in} = 24V, I_o = 3A$
Output Voltage Fluctuation	Line	38mV $V_{in} = 8V \text{ to } 40V$
	Load	95mV $I_o = 0A \text{ to } 3A$
	Temp. drift coefficient	$\pm 0.33 \text{ mV}/^\circ\text{C}$
Output Current	0A to 3A	
Ripple and Noise	25(Avr.) 60(Max.)mVp-p	$V_{in} = 24V, I_o = 3A$ (Note 2)
Variable Output Voltage Range	3.3V to 24V	Using recommended external parts (Note 3)
Remote On/Off Control Voltage		
Output Power On	Max. 0.9V	
Output Power Off	Min. 1.0V	
Protection		
Over Load Protection	More than 3A	Auto reset
Humidity		
Operating	20% to 90%	Non-condensing
Storage	10% to 95%	Non-condensing
Others		
Weight	25g	
Vibration	Amplitude 1.5mm, 10 to 55Hz/min. 2 hours each for X, Y, Z directions	
Shock	100G, 3 times each for X, Y, Z directions	
Soldering Conditions	260°C, 10 sec.	
Dimensions	Refer to the outline drawing	

Note 1: The value includes the deviation from output voltage setting point, line and load.

Note 2: Value at standard connection with recommended external parts (Refer to Fig.1)

Note 3: Refer to "Output voltage variation"

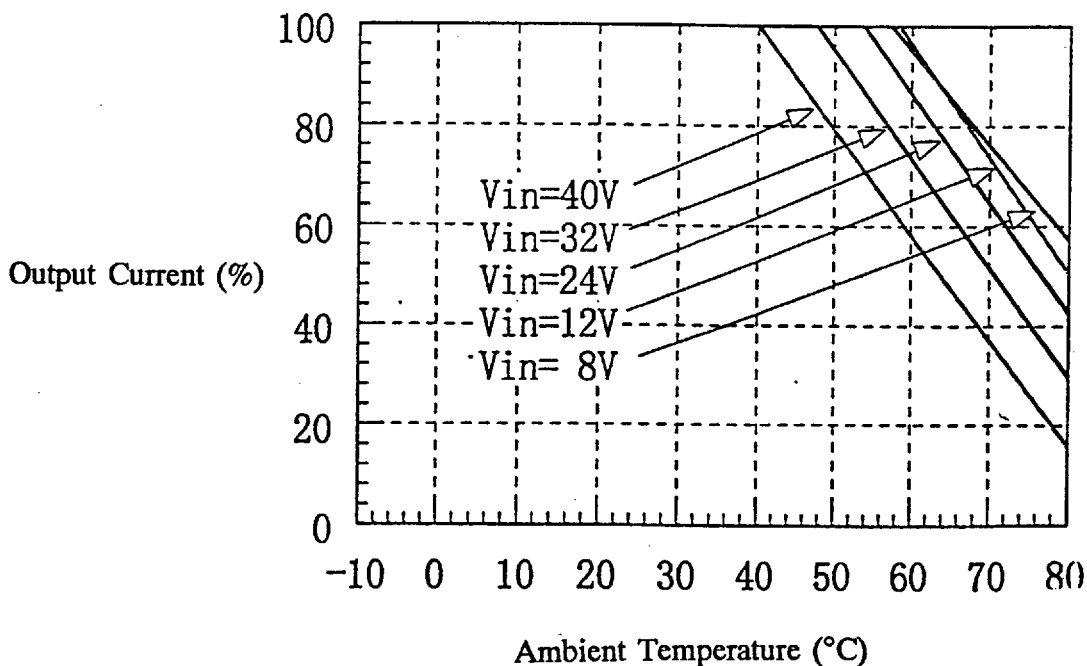
**Connection**



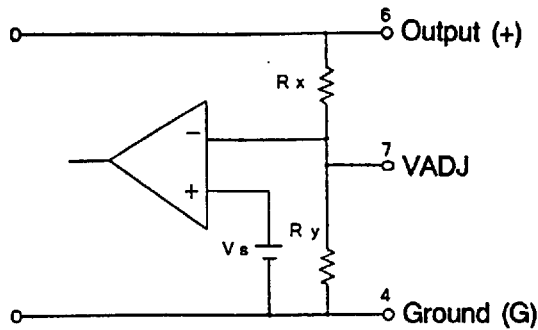
VR1: Vout Down    C1: 50V or more, 390  $\mu$ F or more, ESR 47m $\Omega$  or less at 100kHz  
 VR2: Vout Up    C2: 50V or more, 220  $\mu$ F $\times$ 2 or more, ESR 85m $\Omega$ /2 or less at 100kHz

- Note 1:    Connect the RC terminal to the ground line when not using remote on/off.
- Note 2:    The VADJ terminal should be open when not changing the output voltage.
- Note 3:    Connect a film or ceramic capacitor at the C3(50V 0.1 – 1 $\mu$ F) and C4(50V 0.01 – 0.1 $\mu$ F) when the noise is high.
- Note 4:    Connect the input and output capacitors as near the terminals as possible.

**Derating (Vo = 5V)**



**Output voltage variation**



Vs	2.5V
Rx	6.2kΩ
Ry	6.2kΩ
Vo	Required output voltage(V)

The value of the resistor is calculated by following formula.

- a. Vout down: Connect a resistor VR1 between the terminal 6 and the terminal 7. Do not connect VR2.

$$VR1 = \frac{Rx * Ry(Vo - Vs)}{Rx * Vs - Ry(Vo - Vs)}$$

- b. Vout up: Connect a resistor VR2 between the terminal 4 and the terminal 7. Do not connect VR1.

$$VR2 = \frac{Rx * Ry * Vs}{Ry(Vo - Vs) - Rx * Vs}$$

**Note 1: Output voltage deviation**

When the resistor's stability is +/- 1% : approximately +/- 4.5%  
When the resistor's stability is +/- 5% : approximately +/- 8%

- Note 2: The temperature at surface of the case should be less than 100°C when operating.

- Note 3: A certain voltage difference between input and output is required. The minimum required voltage difference can be calculated by following formula.

$$Vin = \frac{Vo + K}{D}$$

Vin	Minimum DC input voltage (V)
Vo	Required output voltage(V)
D	0.85(Max. duty)
K	0.8(factor)

**SHINDENGEN ELECTRIC MFG. CO., LTD.**

New-ohemachi Bldg. 2-2-1 Ohtemachi  
Chiyoda-ku, Tokyo 100 Japan  
Phone: 3-3279-4435 Fax: 3-3279-4493

**Others**

Do not use a IC connector to the ground terminal No. 4. When the connector opens, the DC/DC converter will be broken.