

**PLEASE CHECK WWW.MOLEX.COM FOR LATEST PART INFORMATION**

**Part Number:** **0357181010**  
**Status:** **Active**  
**Description:** 4.75mm (.187") Tab Slip-On Terminal, Quick Disconnect, Female, 0.81mm (.032") Tab Thickness, Wire Range 16-20 AWG (1.31-0.52mm<sup>2</sup>), Post-Tin Plated

**Documents:**

[Drawing \(PDF\)](#) [RoHS Certificate of Compliance \(PDF\)](#)  
[Product Specification PS-35703-001 \(PDF\)](#)

**Agency Certification**

CSA	LR95446
TUV	R9451159
UL	E92853

**General**

Product Family	Quick Disconnects
Series	35718
Crimp Quality Equipment	Yes
Product Name	Slip-On
Type	Quick Disconnect

**Physical**

Barrel Type	Open
Gender	Female
Glow-Wire Compliant	No
Insulation	None
Lock to Mating Part	Yes
Material - Metal	Brass
Material - Plating Mating	Tin
Material - Plating Termination	Tin
Orientation	Straight
Packaging Type	Reel
Plating min: Mating (µin)	40
Plating min: Mating (µm)	1
Plating min: Termination (µin)	40
Plating min: Termination (µm)	1
Polarized to Mating Part	No
Tab Thickness	0.81mm (.032")
Tab Width	4.75mm (.187")
Temperature Range - Operating	-40°C to +105°C
Termination Interface: Style	Crimp or Compression
Wire Insulation Diameter	3.50mm (.138") max.
Wire Size AWG	16, 18, 20
Wire Size mm <sup>2</sup>	0.50 - 1.30

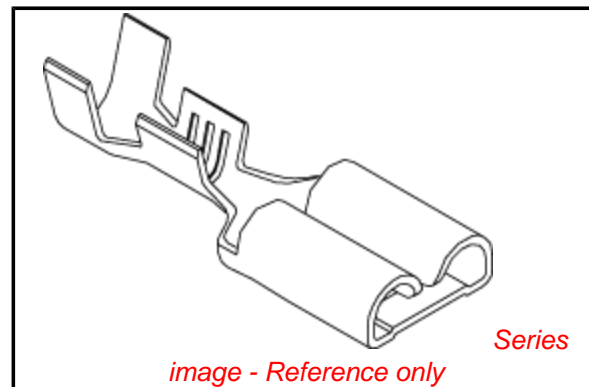
**Electrical**

Voltage - Maximum	250V
-------------------	------

**Material Info**

**Reference - Drawing Numbers**

Product Specification	PS-35703-001
Sales Drawing	SD-35718-10*0



**EU RoHS**

**ELV and RoHS Compliant**  
**REACH SVHC Contains SVHC: No**  
**Halogen-Free Status**  
**Halogen-Free**

**China RoHS**



**Need more information on product environmental compliance?**

Email [productcompliance@molex.com](mailto:productcompliance@molex.com)  
 For a multiple part number RoHS Certificate of Compliance, [click here](#)

Please visit the [Contact Us](#) section for any non-product compliance questions.

**Search Parts in this Series**

35718Series

**Use With**

4.75mm (.187") Tab

**PLEASE CHECK [WWW.MOLEX.COM](http://WWW.MOLEX.COM) FOR LATEST PART INFORMATION**

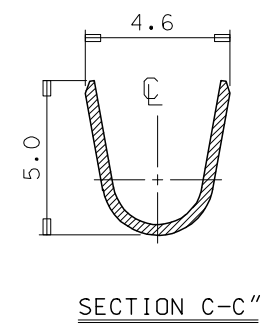
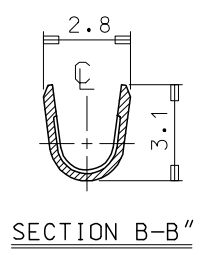
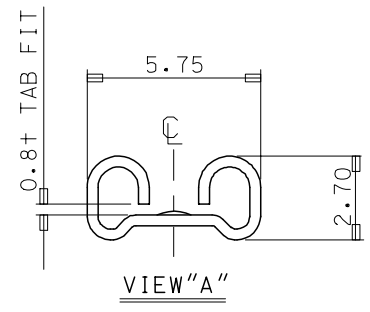
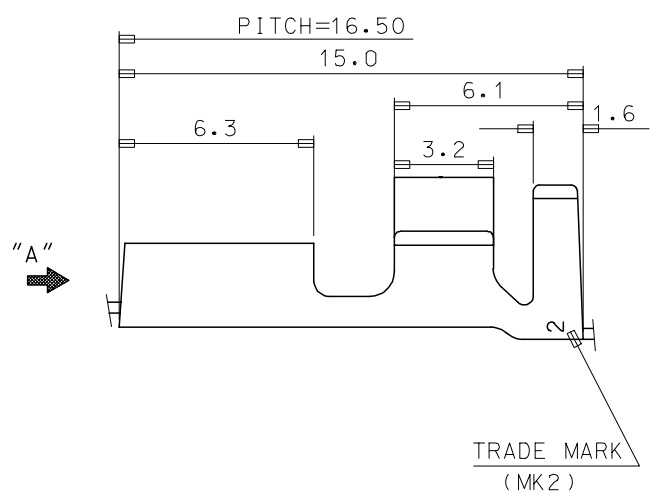
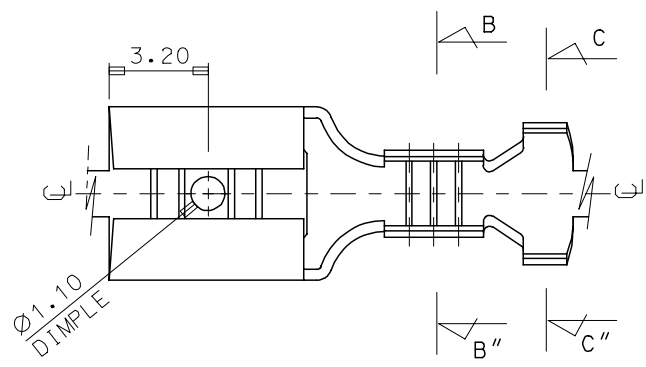
DWG. NO.  
SD-35718-10\*0

SIMILAR ITEM

PROJECT NO.

B

DO NOT SCALE DRAWING  
DIMENSION IN METRIC



- NOTES
- MATERIAL: BRASS, 0.35THICKNESS
  - FINISH: 35718-1000:UNPLATED  
35718-1010:POST-TIN PLATED

REVISED ECN NO. KOR2005-0198 DRWN: J.BJIN 05/04/29 CHK: W.Y.YANG APPR: C.W.LEE	DESCRIPTION MAJOR CRITICAL	GENERAL TOLERANCES: (UNLESS SPECIFIED)		SCALE 6:1	DESIGN UNITS <input checked="" type="checkbox"/> mm <input type="checkbox"/> INCH	THIRD ANGLE PROJECTION	DIMENSIONS: <input type="checkbox"/> mm <input type="checkbox"/> INCH <input checked="" type="checkbox"/> mm ONLY		SHT	REV
		4 PLACES	±0.	±-	DRAWN BY & DATE W.Y.YANG 93/05/24		TITLE: .187 SLIP-ON REC' TERMINAL			
B1	REV	3 PLACES	±0.	±-	CHECKED BY & DATE B.K.CHOI 93/05/24		MOLEX INCORPORATED			
		2 PLACES	±0.30	±-	APPROVED BY & DATE C.W.LEE 93/05/24		MATERIAL NO. SEE NOTES		DRAWING NO. SD-35718-10*0	SHEET NO. 1 OF 1
		1 PLACE	±0.20	±-	CAD FILENAME S7181000AAMI				KOREA	
		ANGULAR: ± °			THIS DRAWING CONTAINS INFORMATION THAT IS PROPRIETARY TO MOLEX INCORPORATED AND SHOULD NOT BE USED WITHOUT WRITTEN PERMISSION.				MX-A3	
		DRAFT WHERE APPLICABLE MUST REMAIN WITHIN DIMENSIONS							SIZE B	