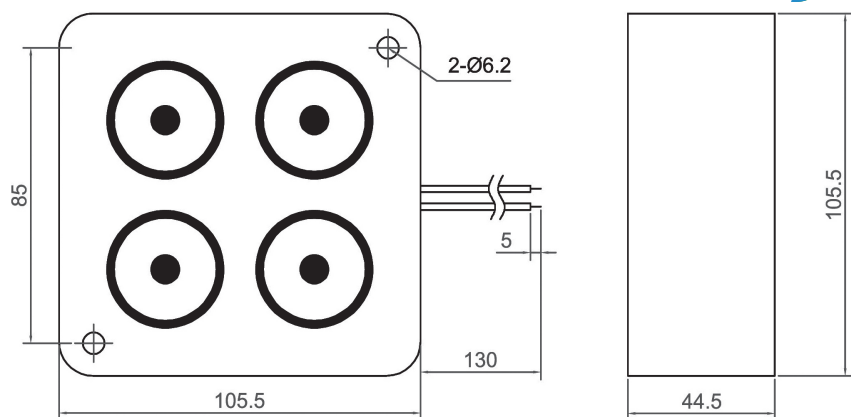


# Piezo Buzzer (DC)



Canopus Part no.	Operating Voltage (VDC)	Rated Voltage (VDC)	Max Rated Current (mA)	Min Sound Output (dBA)	Resonant Frequency (Hz)	Tone Nature	Operating Temperature (°C)	Housing	Weight (g)
CPB10544HM15BW	6 ~ 15	12	190	97 at 3m	1500 ~ 3100	Siren	-20 ~ +60	ABS	190
CPB10544HT26BW	6 ~ 15	12	190	102 at 3m	2600 ~ 2800	Two	-20 ~ +60	ABS	190
CPB10544IM15BW	16 ~ 28	24	190	97 at 3m	1500 ~ 3100	Siren	-20 ~ +60	ABS	190
CPB10544IT26BW	16 ~ 28	24	190	102 at 3m	2600 ~ 2800	Two	-20 ~ +60	ABS	190

CANOPUS

**Your Efficient Supplier**  
[www.canopus.com.hk](http://www.canopus.com.hk)

TEL.: (852) 2806 2812

Fax: (852) 2652 2216