

PLEASE CHECK WWW.MOLEX.COM FOR LATEST PART INFORMATION

Part Number: [0554560469](#)
Status: **Active**
Description: 1.25mm (.049") Pitch Mi II™ System Wire-to-Board Header, Single Row, Right Angle, SMT, 4 Circuits, without Plastic Peg, Lead-free

Documents:

[3D Model](#) [Product Specification PS-54596-022 \(PDF\)](#)
[Drawing \(PDF\)](#) [RoHS Certificate of Compliance \(PDF\)](#)

General

Product Family	PCB Headers
Series	55456
Application	Wire-to-Board
MolexKits	Yes
Product Name	Mini Mi II™

Physical

Breakaway	No
Circuits (Loaded)	4
Color - Resin	Natural
Durability (mating cycles max)	30
Glow-Wire Compliant	No
Lock to Mating Part	Yes
Mated Height (in)	0.177 In
Mated Height (mm)	4.50 mm
Material - Metal	Brass
Material - Plating Mating	Tin
Material - Plating Termination	Tin
Material - Resin	Nylon
Number of Rows	1
Orientation	Right Angle
PCB Locator	No
PCB Retention	Yes
Packaging Type	Embossed Tape on Reel
Pitch - Mating Interface (in)	0.049 In
Pitch - Mating Interface (mm)	1.25 mm
Polarized to Mating Part	Yes
Stackable	No
Temperature Range - Operating	-40°C to +105°C
Termination Interface: Style	Surface Mount

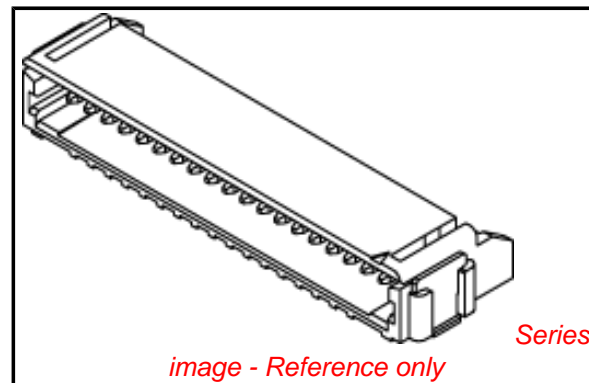
Electrical

Current - Maximum per Contact	1.5A
Voltage - Maximum	100V AC (RMS)/DC

Material Info

Reference - Drawing Numbers

Packaging Specification	SPK-55456-001
Product Specification	PS-54596-022, RPS-54596-025, RPS-54596-026
Sales Drawing	SD-55456-010, SD-55456-011



EU RoHS

ELV and RoHS Compliant
REACH SVHC
 Not Reviewed
Halogen-Free Status
 Not Reviewed

China RoHS



Need more information on product environmental compliance?

Email productcompliance@molex.com
 For a multiple part number RoHS Certificate of Compliance, [click here](#)

Please visit the [Contact Us](#) section for any non-product compliance questions.

Search Parts in this Series

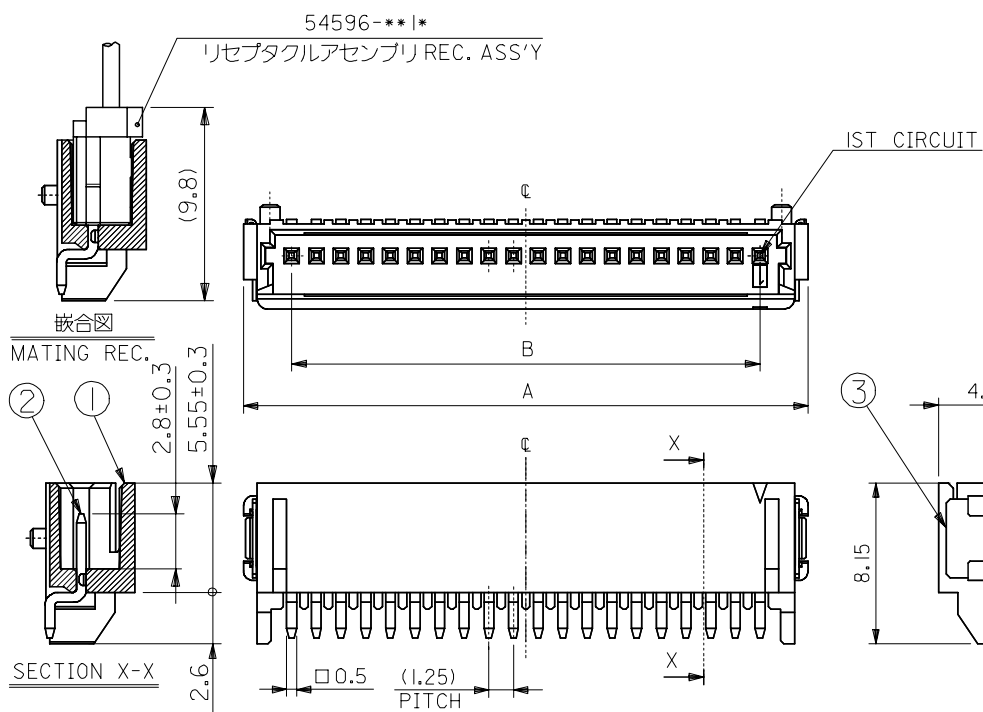
[55456Series](#)

Mates With

[54596](#) IDT Receptacle Housing

10 9 8 7 6 5 4 3 2 1

番号 NO.	名称 NAME	材料 MATERIAL	数量 QT'Y	仕上げ FINISH
①	ウエハー WAFER	ナイロン NYLON	1	UL94V-0 色:原色 COLOR:NATURAL
②	ピン PIN	黄銅 BRASS	N	全体錫メッキ PRE-TINNED
③	ネール NAIL	黄銅 BRASS	2	錫メッキ TIN PLATING



ボス無しタイプ WITHOUT BOSS	ボス有りタイプ WITH BOSS
55456-***6*	55456-***5*

27.25	25.95	23.75	28.65	55456-2060		55456-2050	
26	24.7	22.5	27.4	-1960		-1950	
24.75	23.45	21.25	26.15	-1860		-1850	
23.5	22.2	20	24.9	-1760		-1750	
22.25	20.95	18.75	23.65	-1660		-1650	
21	19.7	17.5	22.4	-1560		-1550	
19.75	18.45	16.25	21.15	-1460		-1450	
18.5	17.2	15	19.9	-1360		-1350	
17.25	15.95	13.75	18.65	-1260		-1250	
16	14.7	12.5	17.4	-1160	ボス無しタイプ WITHOUT BOSS	-1150	ボス有りタイプ WITH BOSS
14.75	13.45	11.25	16.15	-1060	55456-***6*	-1050	55456-***5*
13.5	12.2	10	14.9	-0960		-0950	
12.25	10.95	8.75	13.65	-0860		-0850	
11	9.7	7.5	12.4	-0760		-0750	
9.75	8.45	6.25	11.15	-0660		-0650	
8.5	7.2	5	9.9	-0560		-0550	
7.25	5.95	3.75	8.65	-0460		-0450	
6	4.7	2.5	7.4	-0360		-0350	
4.75	3.45	1.25	6.15	55456-0260		55456-0250	
D	C	B	A	MATERIAL NO.	MODEL NO.	MATERIAL NO.	MODEL NO.

注記 NOTES

- 材料及び仕上げ:表参照
MATERIAL AND FINISH:SEE CHART
- エンボス梱包品の詳細は、SD-55456-011を参照の事。
DETAILED TAPING PACKAGE,SEE SD-55456-011



製品番号
MATERIAL NO.

55456-****	極数 CIRCUIT SIZE (02~20)
	ボス BOSS 5: 有り WITH BOSS
	6: 無し WITHOUT BOSS
	色 COLOR 0: 自然色 NATURAL

- 本製品は 55456-***10/**30/**70/**80 の鉛フリー品である。
THIS PRODUCT IS LEAD FREE OF 55456-***10/**30/**70/**80.

RELEASED EC NO: J2005-2224 2005/02/24 DRAWN:NAIDA 2005/02/25 CHKD:KTOJO 2005/03/02 APPR:NUKITA	GENERAL TOLERANCES (UNLESS SPECIFIED)		DIMENSION STYLE MM ONLY		SCALE 4:1	DESIGN UNITS METRIC	THIRD ANGLE PROJECTION
	10 UNDER	±0.2	DRAWN BY N.AIDA	DATE '05/02/04	MINI M12 1-ROW R/A SMT ASS'Y -LEAD FREE- MOLEX INCORPORATED		
	10 OVER 30 UNDER	±0.25	CHECKED BY K.TOJO	DATE '05/02/04			
	30 OVER	±0.3	APPROVED BY N.UKITA	DATE '05/02/04	DOCUMENT NO. SD-55456-010	SHEET NO. 1 OF 2	
0	ANGULAR ±3 °	DRAFT WHERE APPLICABLE MUST REMAIN WITHIN DIMENSIONS		SEE CHART			

F

E

D

C

B

A

F

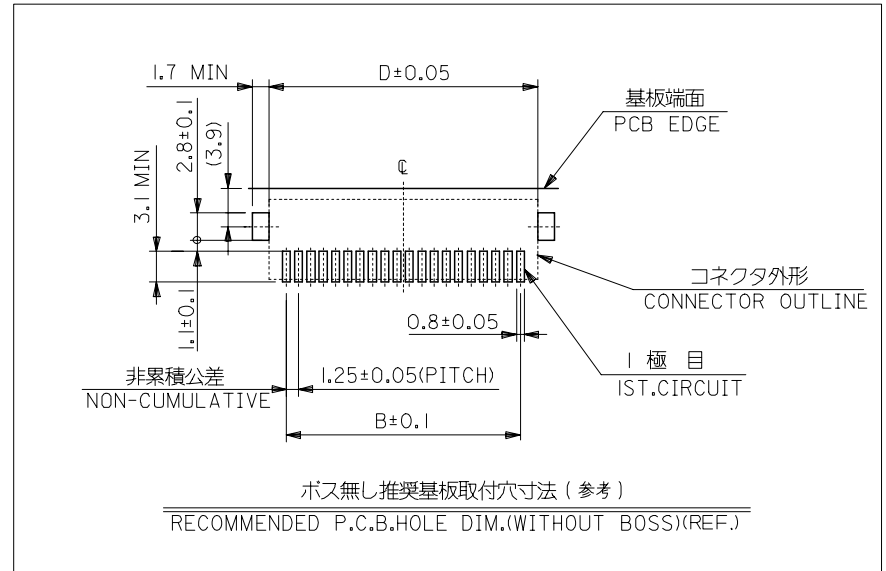
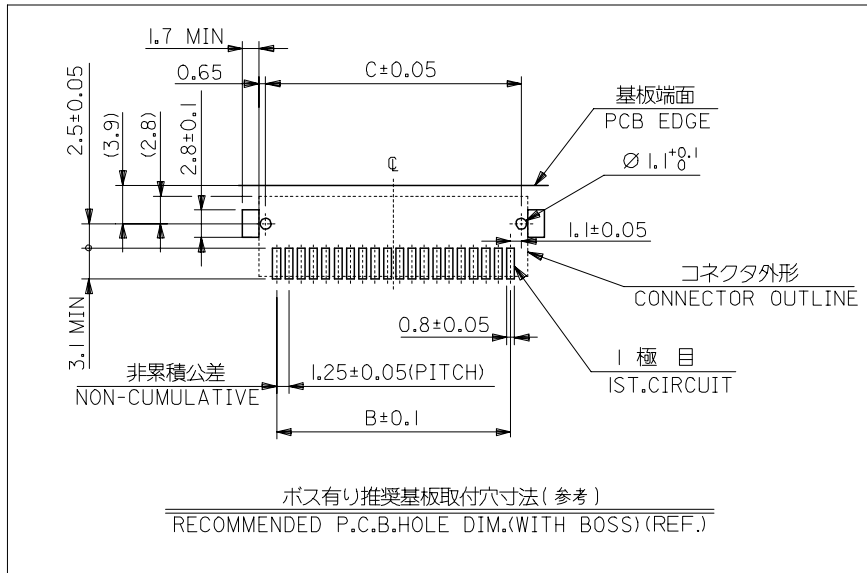
E

D

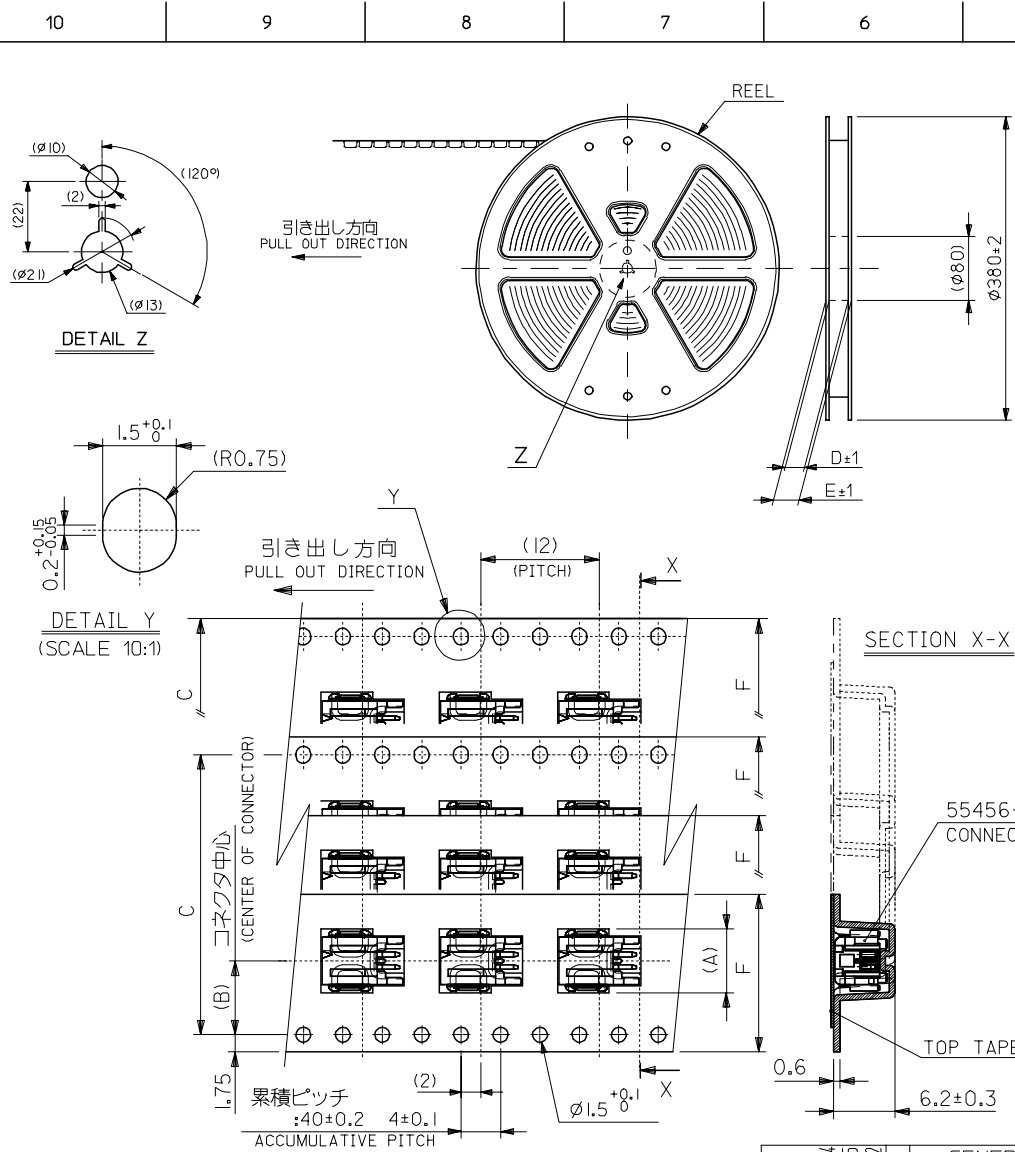
C

B

A

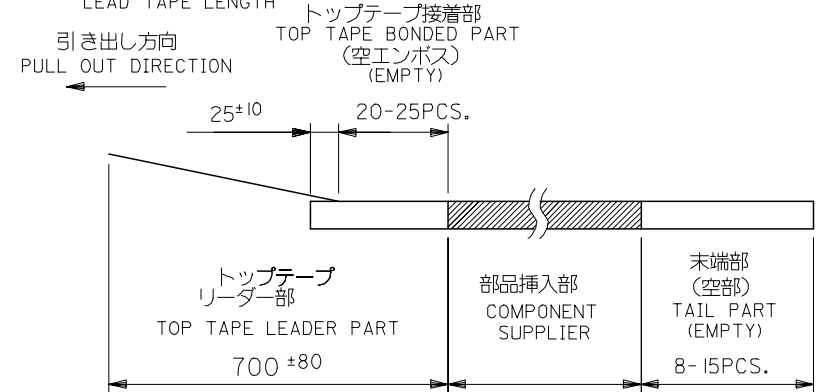


RELEASED EC NO: J2005-2224 DRAWN: NAIDA 2005/02/24 CHKD: KTOJO 2005/02/25 APPR: NUKITA 2005/03/02	GENERAL TOLERANCES (UNLESS SPECIFIED)		DIMENSION STYLE MM ONLY		SCALE 4:1	DESIGN UNITS METRIC	THIRD ANGLE PROJECTION		
	10 UNDER	±0.2	DRAWN BY N. AIDA		DATE '05/02/04	TITLE MINI MI2 1-ROW R/A SMT ASS'Y -LEAD FREE-			
	10 OVER 30 UNDER	±0.25	CHECKED BY K. TOJO		DATE '05/02/04				
	30 OVER	±0.3	APPROVED BY N. UKITA		DATE '05/02/04	MOLEX INCORPORATED			
	ANGULAR	±3 °	MATERIAL NO.		DOCUMENT NO. SD-55456-010				
0	DRAFT WHERE APPLICABLE MUST REMAIN WITHIN DIMENSIONS		SIZE A3		THIS DRAWING CONTAINS INFORMATION THAT IS PROPRIETARY TO MOLEX INCORPORATED AND SHOULD NOT BE USED WITHOUT WRITTEN PERMISSION				

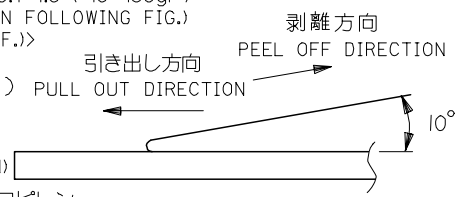


注記
NOTES

- 製品番号 55456-**** の詳細寸法については、SD-55456-010 を参照下さい。
IN THE PACKAGE, PART NO.55456-**** DETAILED DIMENSION, SEE SD-55456-010
- 梱包数量：1250個/リール
NUMBER OF CONNECTORS:1250 PCS/REEL
- リードテープ長さ
LEAD TAPE LENGTH



- トップテープの剥離強度：0.1~1.3 (10~130gf)
(剥離方向は下図参照)
<剥離速度：300mm/min (参考)>
PEEL-OFF FORCE OF TOP TAPE: 0.1~1.3 (10~130gf)
<PEELING DIRECTION AS SHOWN IN FOLLOWING FIG.>
<PEEL-OFF SPEED:300mm/min (REF.)>
尚、本規格値は、出荷時に適用。
(但し、輸送時に剥離が発生しない事。)
THIS RESOURCE SHOULD BE APPLIED AT SHIPMENT
(PEEL OFF SHOULD NOT BE ALLOWED, DURING TRANSPORTATION)
- 材料
MATERIAL
キャリアテープ：ポリプロピレン
CARRIER TAPE :POLYPROPYLENE
トップテープ：PET, PE, PP
TOP TAPE :PET, PE, PEF
リール：ポリスチレン
REEL:POLYSTYRENE
- 本製品は 55456-***19/**39/**79/**89 の鉛フリー品である。
THIS PRODUCT IS LEAD FREE OF 55456-***19/**39/**79/**89.



RELEASED EC NO: J2005-2224 DRAWN: NAIDA CHKD: KTOJO APPR: NUKITA 2005/02/24 2005/02/25 2005/03/02	GENERAL TOLERANCES (UNLESS SPECIFIED)		DIMENSION STYLE MM ONLY		SCALE 2:1	DESIGN UNITS METRIC	THIRD ANGLE PROJECTION	
	10 UNDER	±0.2	DRAWN BY N. AIDA	DATE '05/02/04	TITLE EMBOSSED TAPE PACKAGE FOR 55456-**** -LEAD FREE-			
	10 OVER 30 UNDER	±0.25	CHECKED BY K. TOJO	DATE '05/02/04				
	30 OVER	±0.3	APPROVED BY N. UKITA	DATE '05/02/04	MOLEX INCORPORATED DOCUMENT NO. SD-55456-011 SHEET NO. 1 OF 2			
	ANGULAR ±3 °		MATERIAL NO. SEE CHART					
DRAFT WHERE APPLICABLE MUST REMAIN WITHIN DIMENSIONS		SIZE A3		THIS DRAWING CONTAINS INFORMATION THAT IS PROPRIETARY TO MOLEX INCORPORATED AND SHOULD NOT BE USED WITHOUT WRITTEN PERMISSION				

44	49.4	45.4	40.4	20.2	28.95	55456-2060	55456-2069	55456-**69 ボス無し WITHOUT BOSS	55456-2050	55456-2059	55456-**59 ボス有り WITH BOSS	20	O K				
					27.7	↑	-1960		↑	-1969		↑	-1950	↑	-1959	19	N O
					26.45		-1860			-1869			-1850		-1859	18	O K
					25.2		-1760			-1769			-1750		-1759	17	N O
					23.95		-1660			-1669			-1650		-1659	16	O K
					22.7		-1560			-1569			-1550		-1559	15	N O
32	37.4	33.4	28.4	14.2	21.45		-1460		-1469		-1450		-1459	14	N O		
					20.2		-1360		-1369		-1350		-1359	13	O K		
					18.95		-1260		-1269		-1250		-1259	12	O K		
					17.7		-1160		-1169		-1150		-1159	11	O K		
24	29.4	25.4	→	11.5	16.45		-1060		-1069		-1050		-1059	10	O K		
					15.2		-0960		-0969		-0950		-0959	9	N O		
					13.95		-0860		-0869		-0850		-0859	8	N O		
					12.7		-0760		-0769		-0750		-0759	7	O K		
					11.45		-0660		-0669		-0650		-0659	6	N O		
16	21.4	17.4	→	7.5	10.2		-0560		-0569		-0550		-0559	5	O K		
					8.95		-0460		-0469		-0450		-0459	4	O K		
					7.7		-0360		-0369		-0350		-0359	3	N O		
F キャリアテープ幅 TAPE WIDTH	E	(D)	(C)	(B)	6.45	55456-0260	55456-0269	MODEL NO.	55456-0250	55456-0259	MODEL NO.	2	O K				
					(A)	CONNECTOR	エンボス梱包品 製品番号 MATERIAL NO.		CONNECTOR	エンボス梱包品 製品番号 MATERIAL NO.		極数 CIRCUIT SIZE	量産対応 AVAILABLE				

RELEASED EC NO: J2005-2224 DRAWN: AIDA 2005/02/24 CHKD: KTOJO 2005/02/25 APPR: NUKITA 2005/03/02 REV: 0	GENERAL TOLERANCES (UNLESS SPECIFIED)		DIMENSION STYLE MM ONLY		SCALE 2:1	DESIGN UNITS METRIC	THIRD ANGLE PROJECTION	
	10 UNDER	±0.2	DRAWN BY N. AIDA	DATE '05/02/04	TITLE EMBOSSD TAPE PACKAGE FOR 55456-**** -LEAD FREE-			
	10 OVER 30 UNDER	±0.25	CHECKED BY K. TOJO	DATE '05/02/04				
	30 OVER	±0.3	APPROVED BY N. UKITA	DATE '05/02/04	MOLEX INCORPORATED			
	ANGULAR ±3 °		MATERIAL NO.					
DRAFT WHERE APPLICABLE MUST REMAIN WITHIN DIMENSIONS		SEE CHART		DOCUMENT NO. SD-55456-011	SHEET NO. 2 OF 2			