

PLEASE CHECK WWW.MOLEX.COM FOR LATEST PART INFORMATION

Part Number: **0740582504**
Status: **Active**
Overview: vhdm
Description: 2.00mm (.079") Pitch VHDM® Board-to-Board Backplane Header, Vertical, 6-Row, Pin End Version, 150 Circuits, Pin Length 5.15mm (.203")

Documents:

[3D Model](#) [RoHS Certificate of Compliance \(PDF\)](#)
[Drawing \(PDF\)](#)

General

| | |
|-------------------------------|---|
| Product Family | Backplane Connectors |
| Series | <u>74058</u> |
| Application | Backplane |
| Application Tooling Documents | Tooling Manual |
| Comments | No Keying Position |
| Component Type | PCB Header |
| Overview | <u>vhdm</u> |
| Product Name | VHDM® |
| Style | N/A |

Physical

| | |
|--------------------------------|---|
| Circuits (Loaded) | 150 |
| Circuits (maximum) | 150 |
| Color - Resin | Black |
| Durability (mating cycles max) | 200 |
| First Mate / Last Break | No |
| Guide to Mating Part | Yes |
| Keying to Mating Part | None |
| Material - Metal | Beryllium Copper, High Performance Alloy (HPA), Stainless Steel |
| Material - Plating Mating | Gold |
| Material - Plating Termination | Tin-Lead |
| Material - Resin | High Temperature Thermoplastic |
| Number of Columns | N/A |
| Number of Pairs | Open Pin Field |
| Number of Rows | 6 |
| Orientation | Vertical |
| PC Tail Length (in) | 0.098 In |
| PC Tail Length (mm) | 2.50 mm |
| PCB Locator | No |
| PCB Retention | None |
| PCB Thickness Recommended (in) | 0.071 In |
| PCB Thickness Recommended (mm) | 1.80 mm |
| Packaging Type | Tube |
| Pitch - Mating Interface (in) | 0.079 In |
| Pitch - Mating Interface (mm) | 2.00 mm |
| Pitch - Term. Interface (in) | 0.039 In |
| Pitch - Term. Interface (mm) | 1.00 mm |
| Plating min: Mating (µin) | 30 |
| Plating min: Mating (µm) | 0.75 |
| Plating min: Termination (µin) | 30 |
| Plating min: Termination (µm) | 0.75 |
| Polarized to PCB | Yes |
| Stackable | No |

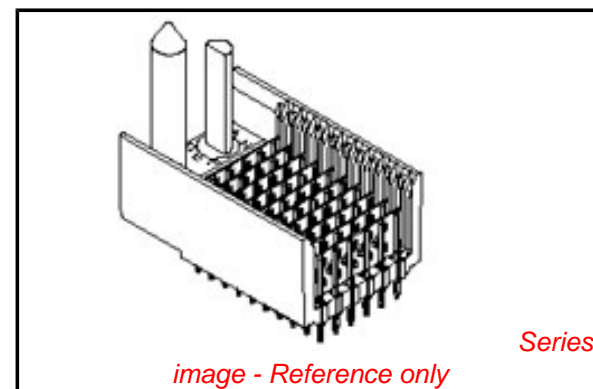


image - Reference only

EU RoHS

RoHS Compliant by Exemption
REACH SVHC
Contains SVHC: No
Halogen-Free
Status
Not Reviewed

China RoHS



Pb

Need more information on product environmental compliance?

Email productcompliance@molex.com
For a multiple part number RoHS Certificate of Compliance, [click here](#)

Please visit the [Contact Us](#) section for any non-product compliance questions.

Search Parts in this Series

[74058Series](#)

Mates With

[74030 VHDM® Board-to-Board Daughtercard Receptacle](#)

Application Tooling | FAQ

Tooling specifications and manuals are found by selecting the products below. Crimp Height Specifications are then contained in the Application Tooling Specification document.

Global

| Description | Product # |
|--|----------------------------|
| Flat Rock Tooling for Pneumatic Press | 0622013700 |
| VHDM® Signal Pin | 0622015700 |
| Insert Repair Tool | |
| VHDM® 6 Row Pin and Shield Repair Tool | 0622015800 |

Surface Mount Compatible (SMC) Yes
Temperature Range - Operating 105°C
Termination Interface: Style Through Hole - Compliant Pin

Electrical

Current - Maximum per Contact 1A
Data Rate 3.125 Gbps
Real Signals (per 25mm) 75
Shield Type Ground Plane Shield
Shielded Yes
Voltage - Maximum 120V AC (RMS)/DC

Material Info

Reference - Drawing Numbers

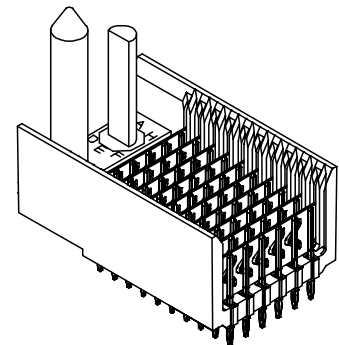
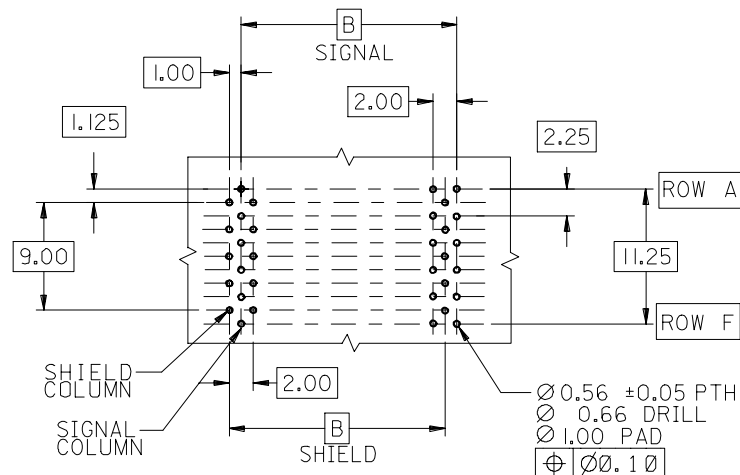
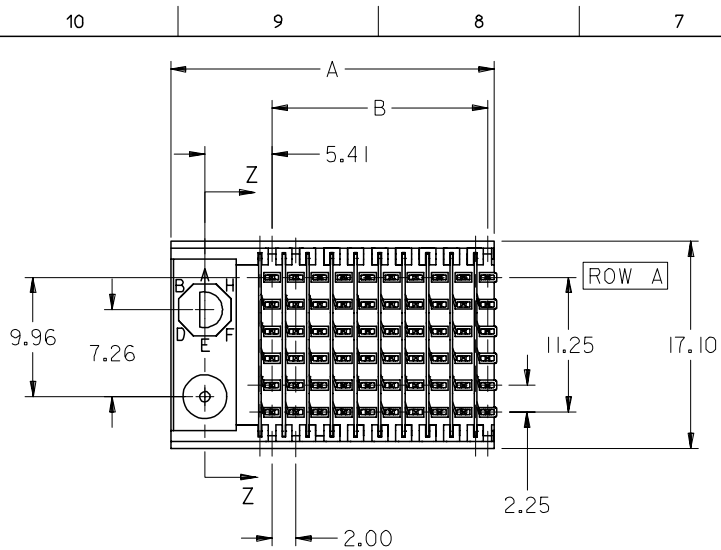
Sales Drawing SD-74058-002

VHDM and Very High Density Metric are trademarks of Amphenol Corporation

VHDM® 6 Row Shield Extraction Tool [0622016000](#)
VHDM® Insertion Module for Advanced Mate Signal Header, 6 Row by 25 Wide, 50.00mm (1.97") [0622020204](#)
VHDM® Insertion Module for Standard Shield Signal Header, 6 Row by 25 Wide, 50.00mm (1.97") [0622020208](#)

This document was generated on 05/19/2010

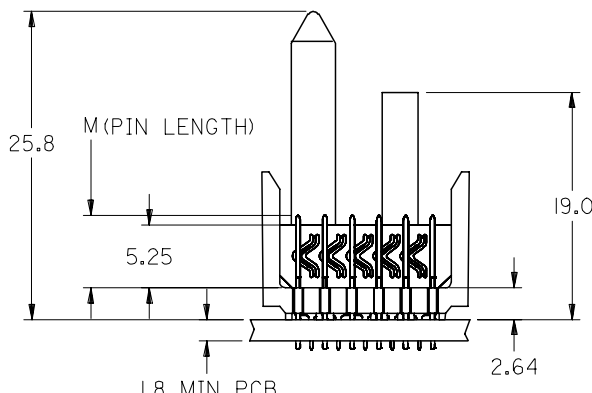
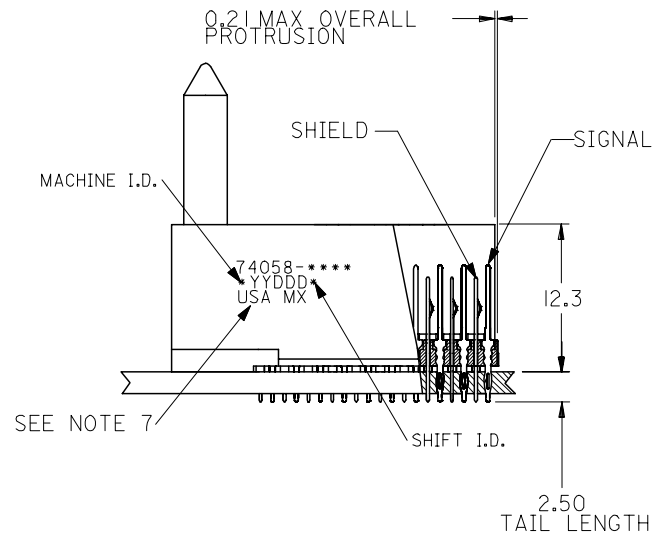
PLEASE CHECK WWW.MOLEX.COM FOR LATEST PART INFORMATION



**BACKPLANE HOLE PATTERN
RECOMMENDED DIMENSIONS**

NOTES:

- MATERIALS:**
HOUSING - LIQUID CRYSTAL POLYMER (LCP),
GLASS-FILLED, UL 94V-0, COLOR: BLACK
SIGNAL PIN & SHIELD - COPPER ALLOY
- FINISHES:**
CONTACT AREA: SELECTIVE GOLD (Au)
PCB TAILS: SELECTIVE TIN/LEAD (Sn/Pb)
OR SELECTIVE MATTE TIN (Sn)
NICKEL (Ni) OVERALL.
- THIS PART CONFORMS TO MOLEX PRODUCT SPECIFICATION PS-74031-999
- FOR MIXED CONTACT LENGTHS CONSULT MOLEX FOR AVAILABILITY
- FOR SPECIFIC MATERIAL NUMBERS & MATING INFORMATION REFER TO SHEET 2
- PACKAGE PER PK-74058-003
- EITHER MARK PART WITH PART NUMBER & DATE CODE APPROXIMATELY WHERE SHOWN OR PLACE LABEL ON THE TUBE.



| | | | | | | | | | |
|--|--------------------|---|---------------------------------------|------------------------------------|----------------------------|---|------------------------|------------------------|--|
| ADD LEADFREE PINS EC NO: UCP2006-0079 DRWN: KMULVEY CHKD: 2005/07/21 APPR: SREED 2005/07/22 | DESCRIPTION REV | QUALITY SYMBOLS ▽=0 ▽=0 | GENERAL TOLERANCES (UNLESS SPECIFIED) | | DIMENSION STYLE MM ONLY | SCALE 2.5:1 | DESIGN UNITS METRIC | THIRD ANGLE PROJECTION | |
| | | 4 PLACES ± --- ± --- 3 PLACES ± --- ± --- 2 PLACES ± --- ± --- 1 PLACE ± --- ± --- | mm INCH | DRAWN BY MWANG | DATE 1998/11/09 | TITLE VHM 6 ROW SIGNAL END BACKPLANE SALES ASSEMBLY | | | |
| | | ANGULAR ±1/2° | | CHECKED BY JLAURX | DATE 1998/11/09 | | | | |
| | | DRAFT WHERE APPLICABLE MUST REMAIN WITHIN DIMENSIONS | | MATERIAL NO. SEE SHEET 2 | DATE 1998/11/09 | APPROVED BY CBIXLER | DATE 1998/11/09 | MOLEX INCORPORATED | |

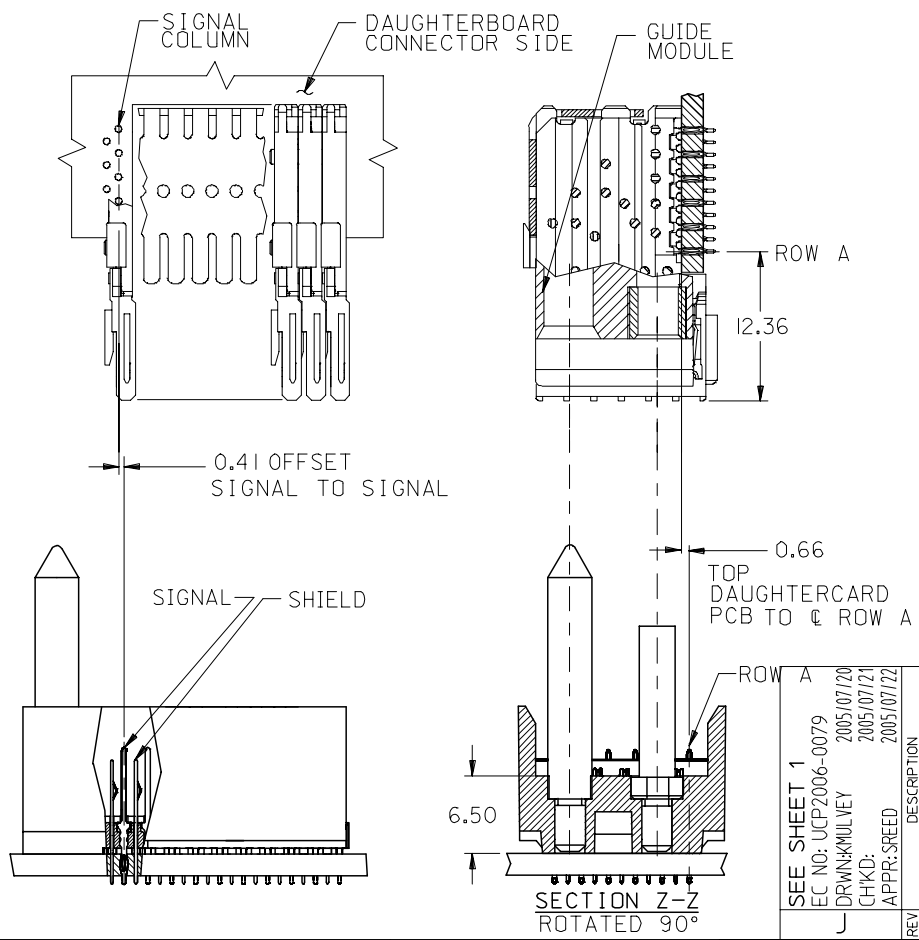
10 9 8 7 6 5 4 3 2 1

| | | | | | | | | | |
|---------------------------|-------|-------|-------|-------|-------|-------|-------|-------|-------|
| M/N 74058-() | -**0* | -**1* | -**2* | -**3* | -**4* | -**5* | -**6* | -**7* | -**8* |
| KEYING PIN ORIENTATION | O | A | B | C | D | E | F | G | H |

74058 * * * *

NUMBER OF COLUMNS/PLATING
 10 = 10 COLUMN TIN/LEAD
 25 = 25 COLUMN TIN/LEAD
 90 = 10 COLUMN MATTE TIN
 85 = 25 COLUMN MATTE TIN

CONTACT LOAD
 (PIN LENGTH)
 1 & 6 = 4.75
 2 & 7 = 6.25
 3 & 8 = 4.75
 4 & 9 = 5.15



| PART NUMBER | COLUMN | NUMBER OF SIGNAL PIN | NUMBER OF SHIELD | A | B | M | Au (um) THICKNESS | Sn (um) THICKNESS |
|-------------|--------|----------------------|------------------|-------|-------|------|-------------------|-------------------|
| 74058-*0*1 | 10 | 60 | 10 | 27.00 | 18.00 | 4.75 | 0.76 | 0.76-1.52 |
| 74058-*0*6 | | | | | | | 1.27 | |
| 74058-*5*1 | 25 | 150 | 25 | 57.00 | 48.00 | 6.25 | 0.76 | |
| 74058-*5*6 | | | | | | | 1.27 | |
| 74058-*0*2 | 10 | 60 | 10 | 27.00 | 18.00 | 4.25 | 0.76 | |
| 74058-*0*7 | | | | | | | 1.27 | |
| 74058-*5*2 | 25 | 150 | 25 | 57.00 | 48.00 | 5.15 | 0.76 | |
| 74058-*5*7 | | | | | | | 1.27 | |
| 74058-*0*3 | 10 | 60 | 10 | 27.00 | 18.00 | 4.75 | 0.76 | |
| 74058-*0*8 | | | | | | | 1.27 | |
| 74058-*5*3 | 25 | 150 | 25 | 57.00 | 48.00 | 6.25 | 0.76 | |
| 74058-*5*8 | | | | | | | 1.27 | |
| 74058-*0*4 | 10 | 60 | 10 | 27.00 | 18.00 | 5.15 | 0.76 | |
| 74058-*0*9 | | | | | | | 1.27 | |
| 74058-*5*4 | 25 | 150 | 25 | 57.00 | 48.00 | 4.75 | 0.76 | |
| 74058-*5*9 | | | | | | | 1.27 | |

1b_frame_B_P_ME_T
Rev. D 2004/04/02

9 8 7 6 5 4 3 2 1

SEE SHEET 1
 EC NO: UCP2006-0079
 DRWNG: MILEY 2005/07/20
 CHKD: 2005/07/21
 APPR: SREED 2005/07/22

QUALITY SYMBOLS
 ▽=0
 ▽=0

GENERAL TOLERANCES (UNLESS SPECIFIED)

| | mm | INCH |
|----------|-------|-------|
| 4 PLACES | ± --- | ± --- |
| 3 PLACES | ± --- | ± --- |
| 2 PLACES | ± --- | ± --- |
| 1 PLACE | ± --- | ± --- |

ANGULAR ±1/2°

DRAFT WHERE APPLICABLE
 MUST REMAIN
 WITHIN DIMENSIONS

DIMENSION STYLE
 MM ONLY

SCALE
 2.5:1

DESIGN UNITS
 METRIC

THIRD ANGLE
 PROJECTION

DRAWN BY
 MWANG

CHECKED BY
 JLAURX

APPROVED BY
 CBIXLER

MATERIAL NO.
 SEE CHART

DATE
 1998/11/09

DATE
 1998/11/09

DATE
 1998/11/09

TITLE
 VHDM 6 ROW
 SIGNAL END BACKPLANE
 SALES ASSEMBLY

MOLEX INCORPORATED

DOCUMENT NO.
 SD-74058-002

SHEET NO.
 2 OF 2

THIS DRAWING CONTAINS INFORMATION THAT IS PROPRIETARY TO MOLEX INCORPORATED AND SHOULD NOT BE USED WITHOUT WRITTEN PERMISSION