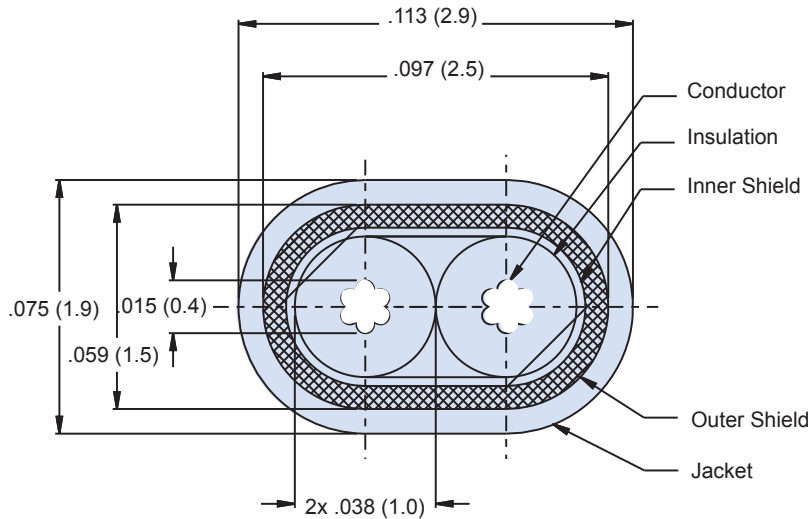


**859-041**  
**Series 801 Mighty Mouse High-Speed**  
**100 OHM Differential Parallel Pair Data Cable**



Series 801  
 High Speed  
 Mighty Mouse

Construction Details	
Conductor	28 AWG Silver Plated High Strength Copper Alloy
Insulation	Extruded Foamed Fluoropolymer Color: Blue and White
Inner Shield	Aluminum/Polyester Tape, 100% Coverage
Outer Shield	Round Silver Plated Copper Braid, 90% Coverage
Jacket	Extruded FEP Color: Transparent Blue



Properties	
Impedance	100 ± 10 Ohms
Capacitance	12.0 pF/Ft (Nom)
V.O.P.	80%
Attenuation	0.25 dB/m @ 100 MHz 0.75 dB/m @ 500 MHz 1.25 dB/m @ 1000 MHz
Temperature Rating	150° C

Dimensions in Inches (millimeters) are subject to change without notice.