

**PLEASE CHECK WWW.MOLEX.COM FOR LATEST PART INFORMATION**

**Part Number:** [5014610601](#)  
**Status:** **Active**  
**Description:** 0.50mm (.020") Pitch FPC Connector, BackFlip™, Right Angle, SMT, Bottom Contact Style, 0.80mm (.031") Mated Height, 6 Circuits, Lead-free

**Documents:**

[3D Model](#) [Product Specification PS-501461-001 \(PDF\)](#)  
[Drawing \(PDF\)](#) [RoHS Certificate of Compliance \(PDF\)](#)

**General**

Product Family FFC/FPC Connectors  
 Series [501461](#)  
 Product Name BackFlip™

**Physical**

Circuits (Loaded) 6  
 Contact Position Bottom  
 Durability (mating cycles max) 20  
 Entry Angle 90° Angle  
 Mated Height (in) 0.031 In  
 Mated Height (mm) 0.80 mm  
 Material - Metal Copper Alloy  
 Material - Plating Mating Gold  
 Material - Plating Termination Gold  
 Number of Rows 1  
 Orientation Right Angle  
 PCB Locator No  
 PCB Retention Yes  
 Packaging Type Embossed Tape on Reel  
 Pitch - Mating Interface (in) 0.020 In  
 Pitch - Mating Interface (mm) 0.50 mm  
 Polarized to PCB Yes  
 Stackable No  
 Surface Mount Compatible (SMC) Yes  
 Temperature Range - Operating -40°C to +85°C  
 Termination Interface: Style Surface Mount  
 Wire/Cable Type FPC only

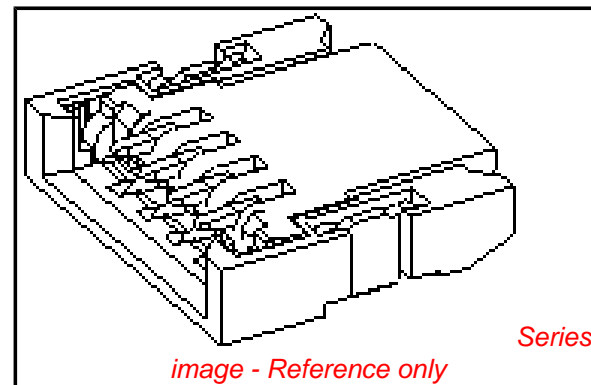
**Electrical**

Current - Maximum per Contact 0.3A  
 Voltage - Maximum 50V AC (RMS)/DC

**Material Info**

**Reference - Drawing Numbers**

Product Specification PS-501461-001, RPS-501461-001, RPS-501461-002, RPS-501461-005, RPS-501461-007, RPS-501461-008  
 Sales Drawing SD-501461-001, SD-501461-002, SD-501461-006



*image - Reference only*

**EU RoHS**

**ELV and RoHS Compliant**  
**REACH SVHC**  
 Not Reviewed  
**Halogen-Free Status**  
 Not Reviewed

**China RoHS**



**Need more information on product environmental compliance?**

Email [productcompliance@molex.com](mailto:productcompliance@molex.com)  
 For a multiple part number RoHS Certificate of Compliance, [click here](#)

Please visit the [Contact Us](#) section for any non-product compliance questions.

**Search Parts in this Series**

[501461Series](#)

10 9 8 7 6 5 4 3 2 1

F

E

D

C

B

A

F

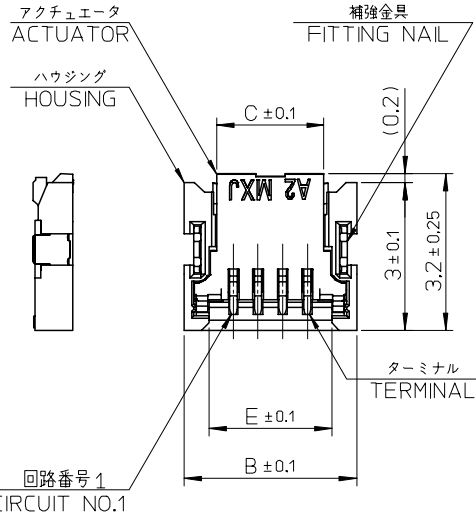
E

D

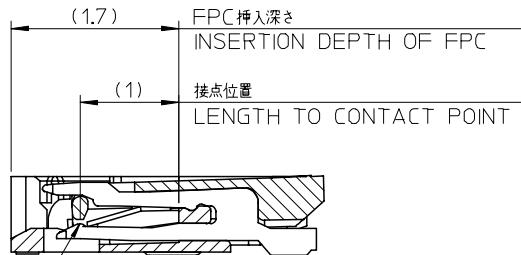
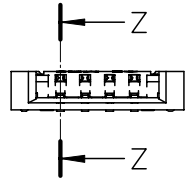
C

B

A

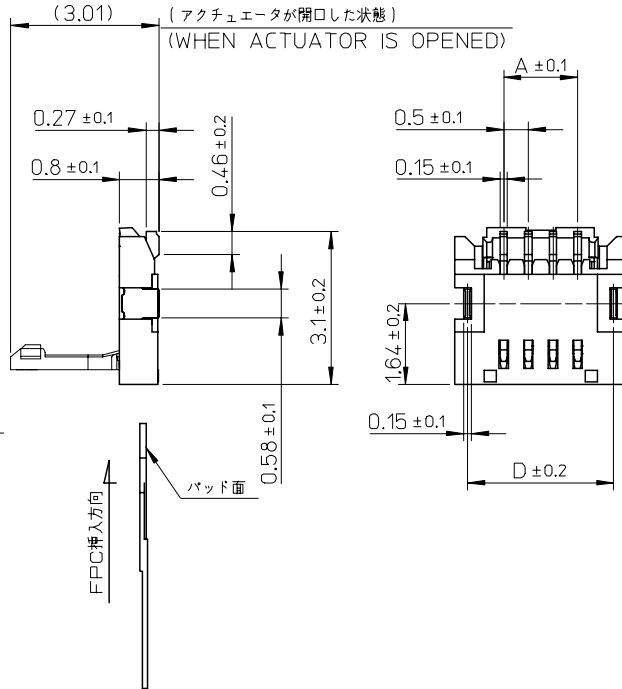


回路番号1  
CIRCUIT NO.1



接点部(下面)  
CONTACT POINT  
(BOTTOM CONTACT)

SECTION Z-Z

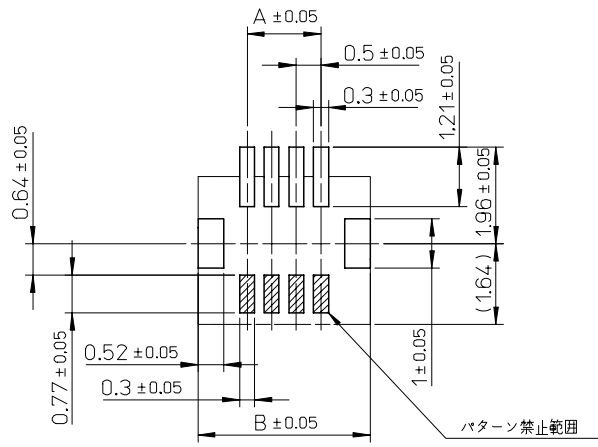


注記  
NOTES:

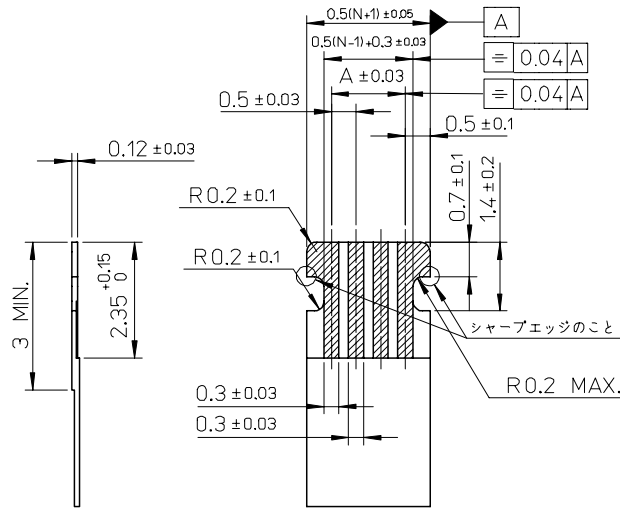
- 材質  
MATERIAL  
ハウジング:耐熱性樹脂、ガラス充填、UL94V-0  
HOUSING:HEAT RESISTANCE POLYMER, GLASS FILLED, UL94V-0  
アクチュエーター:耐熱性樹脂、ガラス充填、UL94V-0  
ACTUATOR:HEAT RESISTANCE POLYMER, GLASS FILLED, UL94V-0  
ターミナル:銅合金 (t=0.15)  
TERMINAL: COPPER ALLOY (t=0.15)  
補強金具:銅合金 (t=0.15)  
NAIL: COPPER ALLOY (t=0.15)
- めっき仕様  
PLATING  
ターミナル: 部分金メッキ  
接点部 0.1マイクロメートル以上  
半田付け部 0.05マイクロメートル以上  
TERMINAL: SEPARATED GOLD PLATING  
CONTACT AREA 0.1 MICROMETER MINIMUM.  
SOLDER TAIL AREA 0.05 MICROMETER MINIMUM.  
下地 ニッケルメッキ 1.0マイクロメートル以上  
UNDER PLATING; NICKEL PLATING 1.0 MICROMETER MINIMUM.  
補強金具: 錫メッキ 1.0マイクロメートル以上  
NAIL: TIN PLATING 1.0 MICROMETER MINIMUM.  
下地 ニッケルメッキ 1.0マイクロメートル以上  
UNDER PLATING; NICKEL PLATING 1.0 MICROMETER MINIMUM.
- 平坦度は、0.1mm以下とする。  
TAILS AND NAILS COPLANARITY TO BE 0.1mm MAXIMUM.
- ELV AND RoHS COMPLIANT.

4.5	4.97	4.18	5.5	3.5	501461-0802	501461-0808	8
E	D	C	B	A	エンボス梱包 EMBOSSED PACKAGING	製品番号 MATERIAL NO.	極数(N) CIRCUITS(N)

RELEASED EC NO: J2008-0606 DRWN: AOYAGI 2007/09/06 CHKD: HARUYAMA 2007/09/10 APPR: NUKITA 2007/09/10	GENERAL TOLERANCES (UNLESS SPECIFIED)		DIMENSION STYLE MM ONLY		SCALE 10:1	DESIGN UNITS METRIC	THIRD ANGLE PROJECTION
	10 UNDER	± 0.2	DRAWN BY Y. AOYAGI		TITLE 0.5 FPC CONN BACK FLIP HGT=0.8 HSG ASSY		
	10 OVER 30 UNDER	± 0.25	CHECKED BY T. HARUYAMA		APPROVED BY N. UKITA		
	30 OVER	± 0.3	APPROVED BY N. UKITA		MATERIAL NO. SD-501461-003		
0	ANGULAR	± 1	DRAFT WHERE APPLICABLE MUST REMAIN WITHIN DIMENSIONS		SEE TABLE		DOCUMENT NO. SD-501461-003
REV		SIZE A3		THIS DRAWING CONTAINS INFORMATION THAT IS PROPRIETARY TO MOLEX INCORPORATED AND SHOULD NOT BE USED WITHOUT WRITTEN PERMISSION			



推奨基板寸法  
RECOMMENDED P.C.BOARD PATTERN LAYOUT

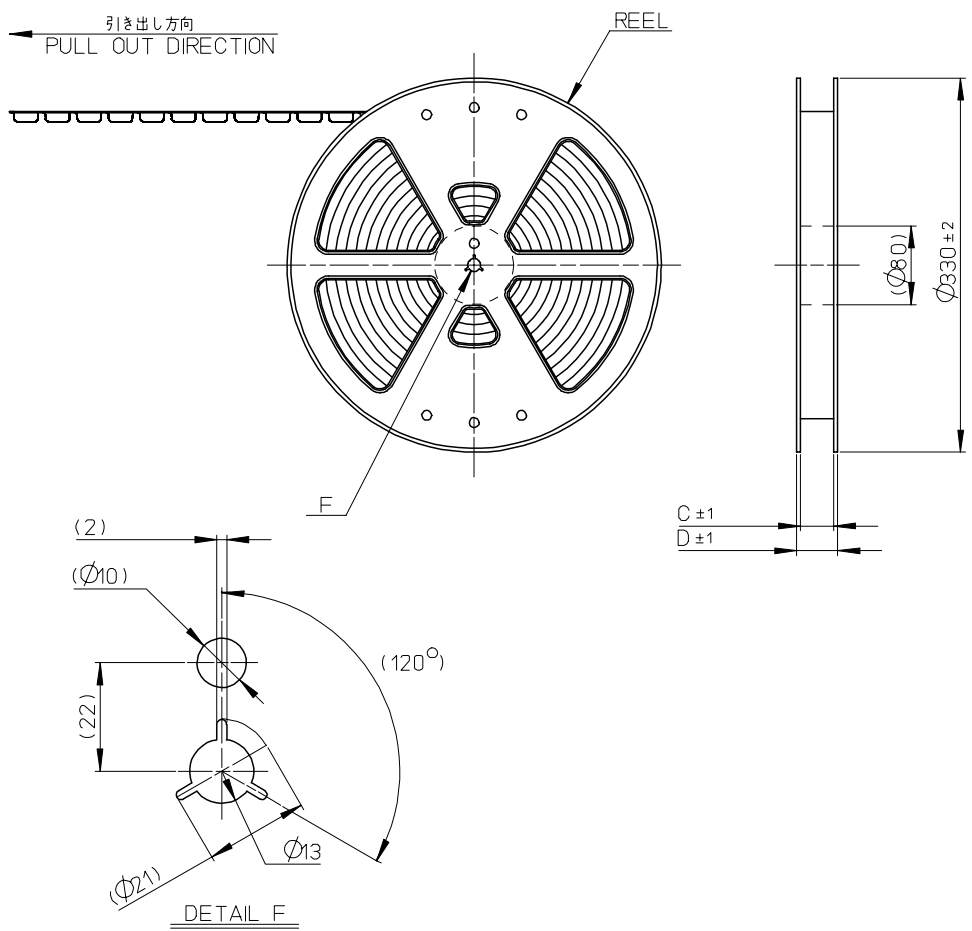


推奨FPC寸法  
RECOMMENDED FPC PATTERN LAYOUT

FPCについて:  
 抜き方向は、導体側から補強板側を推奨します。  
 補強フィルム材質は、ポリイミドを推奨します。  
 接着剤は、熱硬化接着剤を推奨します。  
 尚、接着剤の接点部への付着は、導通不良の原因となりますので染み出しが無いよう、お願いします。

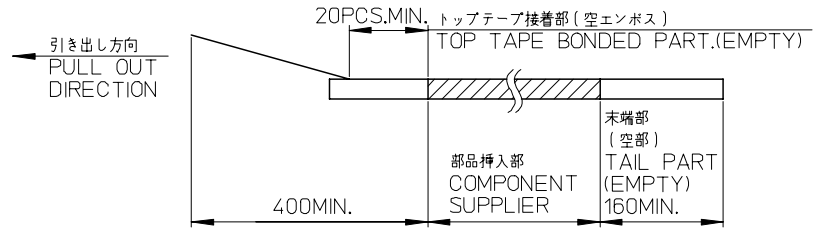
ABOUT FPC:  
 RECOMMENDED PUNCHER DIRECTION:  
 FROM CONDUCTOR SIDE TO STIFFNER FILME SIDE.  
 RECOMMENDED MATERIAL:  
 STIFFNER FILME: POLYIMIDE  
 BONDING AGENT: THRMOSSETTING AGENT  
 PLEASE PUT APPROPRIATE AMOUNT OF ASHESIVE MAY CAUSE  
 THE DEFECT IN ELECTRICAL CONTINUITY.

RELEASED EC NO: J2008-0606 DRWN: AOYAGI 2007/09/06 CHKD: HARUYAMA 2007/09/10 APPR: NUKITA 2007/09/10	GENERAL TOLERANCES (UNLESS SPECIFIED)		DIMENSION STYLE MM ONLY	SCALE 10:1	DESIGN UNITS METRIC	THIRD ANGLE PROJECTION
	10 UNDER	± 0.2	DRAWN BY Y. AOYAGI	DATE 2007/09/05	TITLE 0.5 FPC CONN BACK FLIP HGT=0.8 HSG ASSY	
	10 OVER 30 UNDER	± 0.25	CHECKED BY T. HARUYAMA	DATE 2007/09/05	MOLEX INCORPORATED	
	30 OVER	± 0.3	APPROVED BY N. UKITA	DATE 2007/09/05		
ANGULAR	± 1 °	MATERIAL NO. SEE SHEET 1		DOCUMENT NO. SD-501461-003	SHEET NO. 2 OF 2	
0	REV	DRAFT WHERE APPLICABLE MUST REMAIN WITHIN DIMENSIONS		THIS DRAWING CONTAINS INFORMATION THAT IS PROPRIETARY TO MOLEX INCORPORATED AND SHOULD NOT BE USED WITHOUT WRITTEN PERMISSION		



NOTES

1. 製品詳細寸法については製品単体図面を参照下さい。  
RE DETAILED DIMENSION, SEE PRODUCT DRAWING.
2. 梱包数量: 3000個/リール  
NUMBER OF CONNECTORS 3000PCS/REEL
3. リードテープ長さ  
LEAD TAPE LENGTH



4. 材料  
MATERIAL  
キャリアテープ(CARRIURE TAPE): ポリスチレン (POLYSTYRENE)  
トップテープ(TOP TAPE): PET, PE, PEF  
リール(REEL): ポリスチレン (PS) <リサイクル材を含む>  
POLYSTYRENE(PS) <RECYCLE MATERIAL CONTAIED>
5. ELV及びRoHS適合品。  
ELV AND RoHS COMPLIANT.

501461-\*\*-02 MODEL NO.

RELEASED EC NO: J2008-0606 DRWN: AOYAGI 2007/09/06 CHKD: HARUYAMA 2007/09/10 APPR: NUKITA 2007/09/10	GENERAL TOLERANCES (UNLESS SPECIFIED)		DIMENSION STYLE MM ONLY		SCALE ---	DESIGN UNITS METRIC	THIRD ANGLE PROJECTION
	10 UNDER	± 0.2	DRAWN BY Y. AOYAGI	DATE 2007/09/05	TITLE 0.5 FPC CONN BACK FLIP H=0.8 EMBSTP PKG		
	10 OVER 30 UNDER	± 0.25	CHECKED BY T. HARUYAMA	DATE 2007/09/05	MOLEX INCORPORATED		
	30 OVER	± 0.3	APPROVED BY N. UKITA	DATE 2007/09/05	DOCUMENT NO. SD-501461-004		
0	DESCRIPTION	ANGULAR ± 1 °	MATERIAL NO. SEE SHEET 2		SHEET NO. 1 OF 2		
		DRAFT WHERE APPLICABLE MUST REMAIN WITHIN DIMENSIONS		THIS DRAWING CONTAINS INFORMATION THAT IS PROPRIETARY TO MOLEX INCORPORATED AND SHOULD NOT BE USED WITHOUT WRITTEN PERMISSION			

10 9 8 7 6 5 4 3 2 1

F

E

D

C

B

A

F

E

D

C

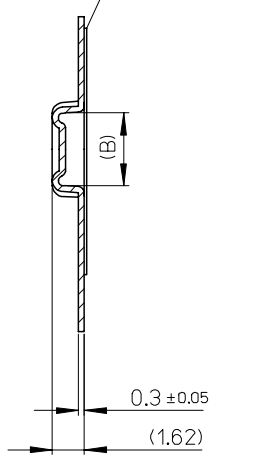
B

A

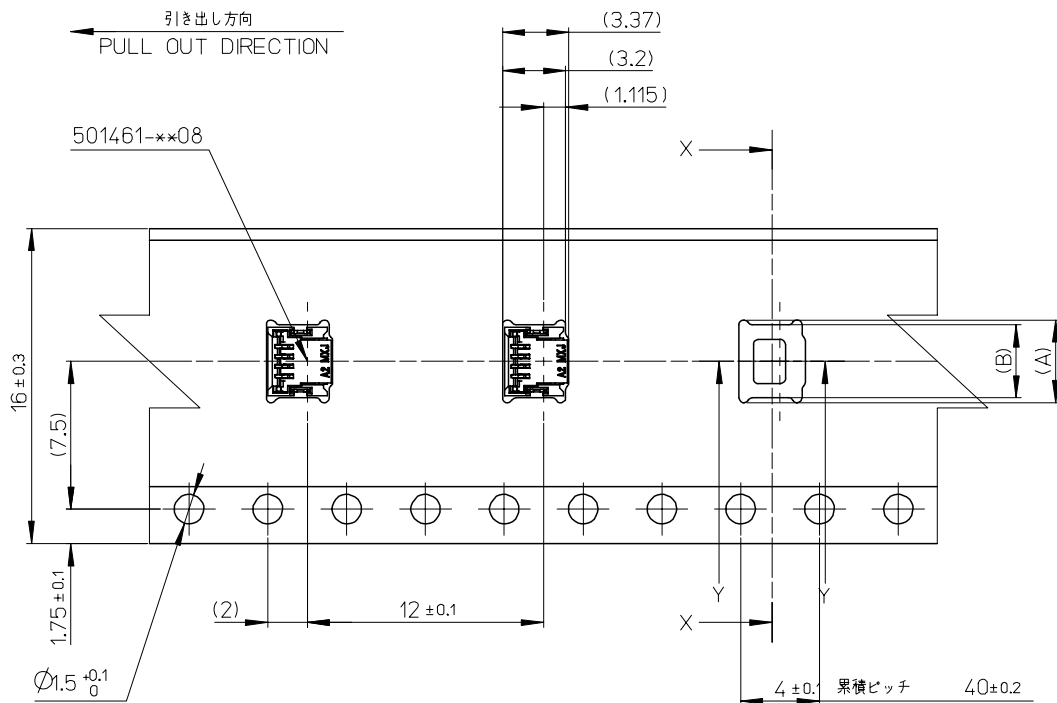
引き出し方向  
PULL OUT DIRECTION

トップテープ  
TOP TAPE

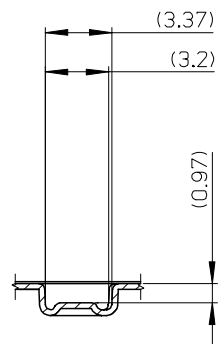
501461-\*\*08



SECT. X-X



16mm幅キャリアテープ  
16mm WIDTH CARRIER TAPE



SECT. Y-Y

16	21.4	17.4	5.7	6.2	501461-0802	8
キャリアテープ幅 CARRIER TAPE WIDTH	D	C	(B)	(A)	MATERIAL NO.	極数 CIRCUITS

RELEASED EC NO: J2008-0606 DRWN: AOYAGI 2007/09/06 CHKD: HARUYAMA 2007/09/10 APPR: NUKITA 2007/09/10	GENERAL TOLERANCES (UNLESS SPECIFIED)	DIMENSION STYLE MM ONLY	SCALE ---	DESIGN UNITS METRIC	MODEL NO. 501461-**02
	10 UNDER ± 0.2	DRAWN BY Y. AOYAGI	DATE 2007/09/05	TITLE 0.5 FPC CONN BACK FLIP H=0.8 EMBSTP PKG	
	10 OVER 30 UNDER ± 0.25	CHECKED BY T. HARUYAMA	DATE 2007/09/05	MATERIAL NO. 501461-0802	
	30 OVER ± 0.3	APPROVED BY N. UKITA	DATE 2007/09/05	DOCUMENT NO. SD-501461-004	
ANGULAR ± 1	DRAFT WHERE APPLICABLE MUST REMAIN WITHIN DIMENSIONS		SEE TABLE		SHEET NO. 2 OF 2
0	THIS DRAWING CONTAINS INFORMATION THAT IS PROPRIETARY TO MOLEX INCORPORATED AND SHOULD NOT BE USED WITHOUT WRITTEN PERMISSION				